

| | | |
|-----------------------|------------------------|-----------------|
| PROJECT: _____ | UNIT TAG: _____ | QUANTITY: _____ |
| REPRESENTATIVE: _____ | TYPE OF SERVICE: _____ | DATE: _____ |
| ENGINEER: _____ | SUBMITTED BY: _____ | DATE: _____ |
| CONTRACTOR: _____ | APPROVED BY: _____ | DATE: _____ |
| | ORDER NO.: _____ | DATE: _____ |

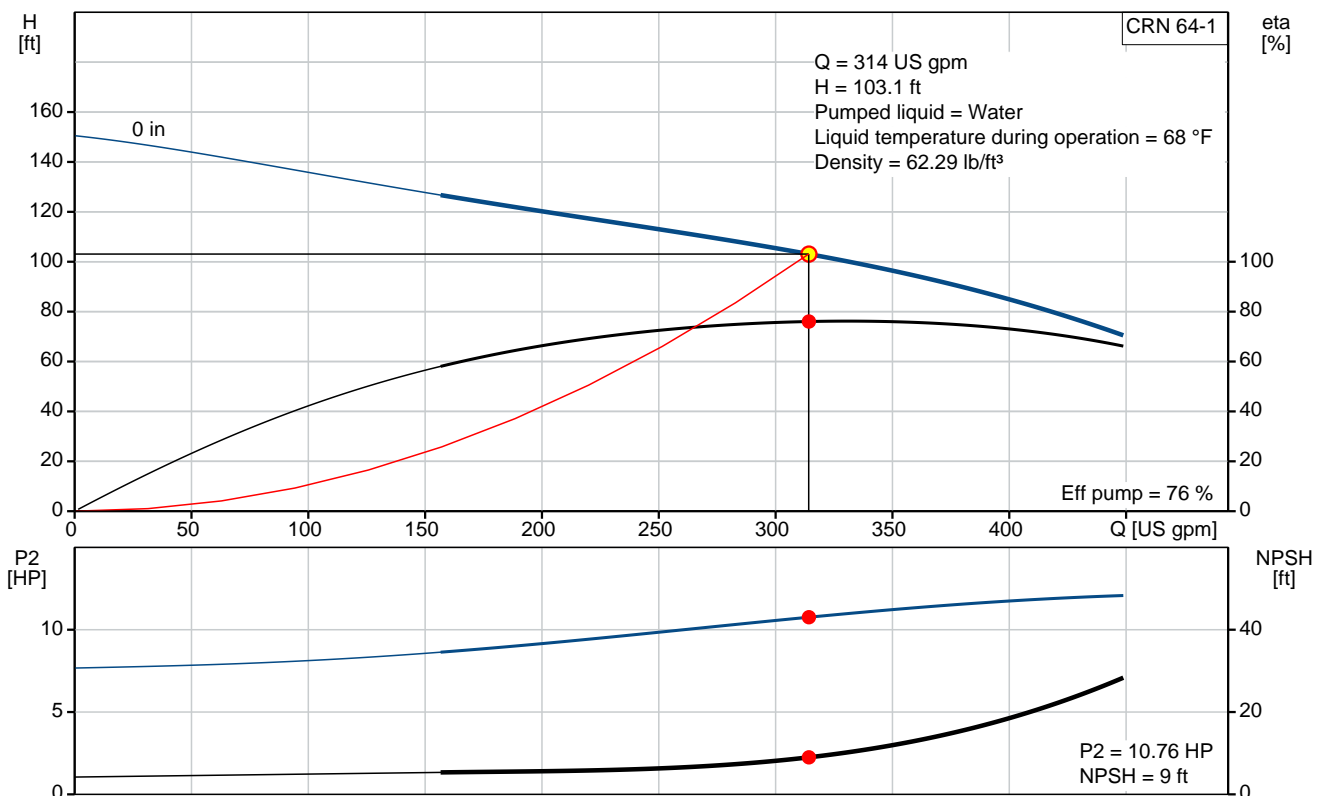


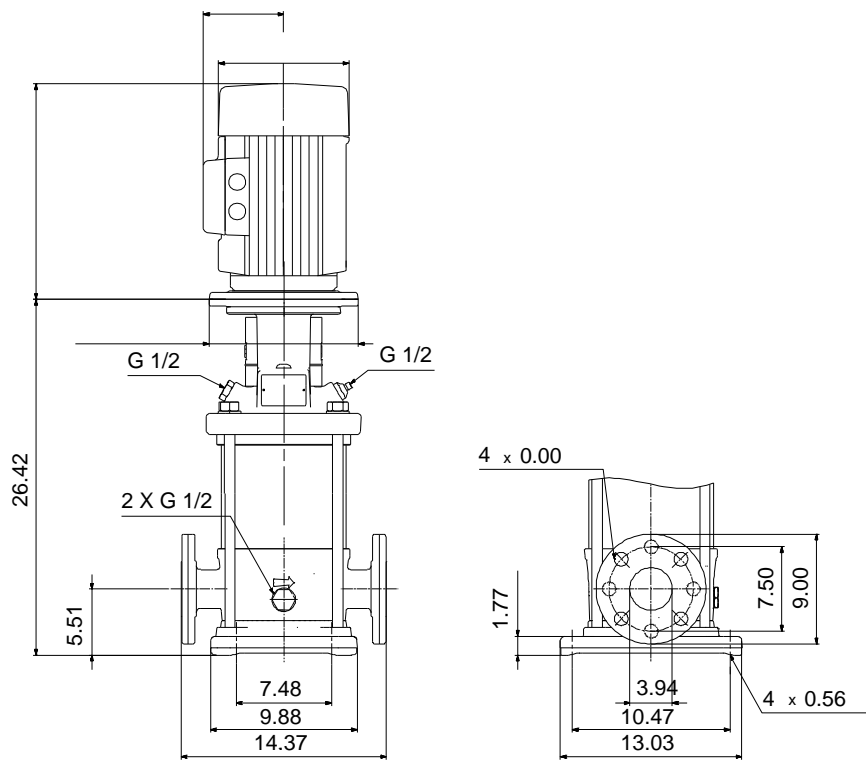
Product photo could vary from the actual product

CRN 64-1

Vertical, multistage centrifugal pump with suction and discharge ports on same the level. Pump materials in contact with the liquid are in high-grade stainless steel (EN 1.4401) (AISI 316)

| Conditions of Service | | Pump Data | | Motor Data |
|-----------------------|------------|-------------------------------------|------------------|-----------------------|
| Flow: | 314 US gpm | Max pressure at stated temperature: | 232 psi / 250 °F | Main frequency: 60 Hz |
| Head: | 103.1 ft | Approvals: | NSF61 | |
| Efficiency: | _____ | Shaft seal: | HQQE | |
| Liquid: | Water | Product number: | 96416021 | |
| Temperature: | 68 °F | | | |
| NPSH required: | 9 ft | | | |
| Viscosity: | _____ | | | |
| Specific Gravity: | 1.000 | | | |





Materials:

| | |
|------------------|--|
| Base: | Stainless steel EN 1.4408 AISI 316 |
| Impeller: | Stainless steel AISI 316 EN 1.4401 |
| Material code: | G |
| Code for rubber: | E |

Tender Text



Product photo could vary from the actual product

Product No.: [96416021](#)

CRN 64-1 A-G-G-E-HQQE

Vertical, non-self-priming, multistage, in-line, centrifugal pump for installation in pipe systems and mounting on a foundation.

The pump has the following characteristics:

- Impellers, intermediate chambers and outer sleeve are made of
 - Pump head cover and base are made of
 - The shaft seal has assembly length according to DIN 24960.
 - Power transmission is via cast iron split coupling.
- flanges/couplings.

Controls:

Frequency converter: NONE

Liquid:

Pumped liquid: Water
Liquid temperature during operation: 68 °F
Density: 62.29 lb/ft³

Technical:

Speed for pump data: 3444 rpm
Actual calculated flow: 314 US gpm
Resulting head of the pump: 103.1 ft
Pump orientation: Vertical
Shaft seal arrangement: Single
Code for shaft seal: HQQE
Approvals on nameplate: NSF61
Curve tolerance: ISO9906:2012 3B

Materials:

Base: Stainless steel
EN 1.4408
AISI 316
Impeller: Stainless steel
EN 1.4401
AISI 316
Bearing material: SIC
Support bearing: Graflon



Company name:

Created by:

Phone:

Date:

2/21/2018

Installation:

Max pressure at stated temperature: 232 psi / 250 °F
232 psi / -40 °F


Type of connection: ANSI
Size of suction port: 4 inch
Size of outlet port: 4 inch
Pressure rating: PN 16
Flange size for motor: 254TC
Flange rating inlet: 150 lb

Electrical data:

Motor standard: NEMA
Power (P2) required by pump: 15 HP

Others:

Net weight: 156 lb
Gross weight: 174 lb
Shipping volume: 7.45 ft³

| Position | Count | Description |
|----------|-------|---|
| | 1 | <p>CRN 64-1 A-G-G-E-HQQE</p>  <p>Product photo could vary from the actual product</p> <p>Product No.: 96416021</p> <p>Vertical, non-self-priming, multistage, in-line, centrifugal pump for installation in pipe systems and mounting on a foundation.</p> <p>The pump has the following characteristics:</p> <ul style="list-style-type: none"> - Impellers, intermediate chambers and outer sleeve are made of - Pump head cover and base are made of - The shaft seal has assembly length according to DIN 24960. - Power transmission is via cast iron split coupling. <p>flanges/couplings.</p> <p>Controls:</p> <p>Frequency converter: NONE</p> <p>Liquid:</p> <p>Pumped liquid: Water</p> <p>Liquid temperature during operation: 68 °F</p> <p>Density: 62.29 lb/ft³</p> <p>Technical:</p> <p>Speed for pump data: 3444 rpm</p> <p>Actual calculated flow: 314 US gpm</p> <p>Resulting head of the pump: 103.1 ft</p> <p>Pump orientation: Vertical</p> <p>Shaft seal arrangement: Single</p> <p>Code for shaft seal: HQQE</p> <p>Approvals on nameplate: NSF61</p> <p>Curve tolerance: ISO9906:2012 3B</p> <p>Materials:</p> <p>Base: Stainless steel EN 1.4408 AISI 316</p> <p>Impeller: Stainless steel EN 1.4401 AISI 316</p> <p>Bearing material: SIC</p> <p>Support bearing: Graflon</p> <p>Installation:</p> |



Company name:

Created by:

Phone:

Date:

2/21/2018

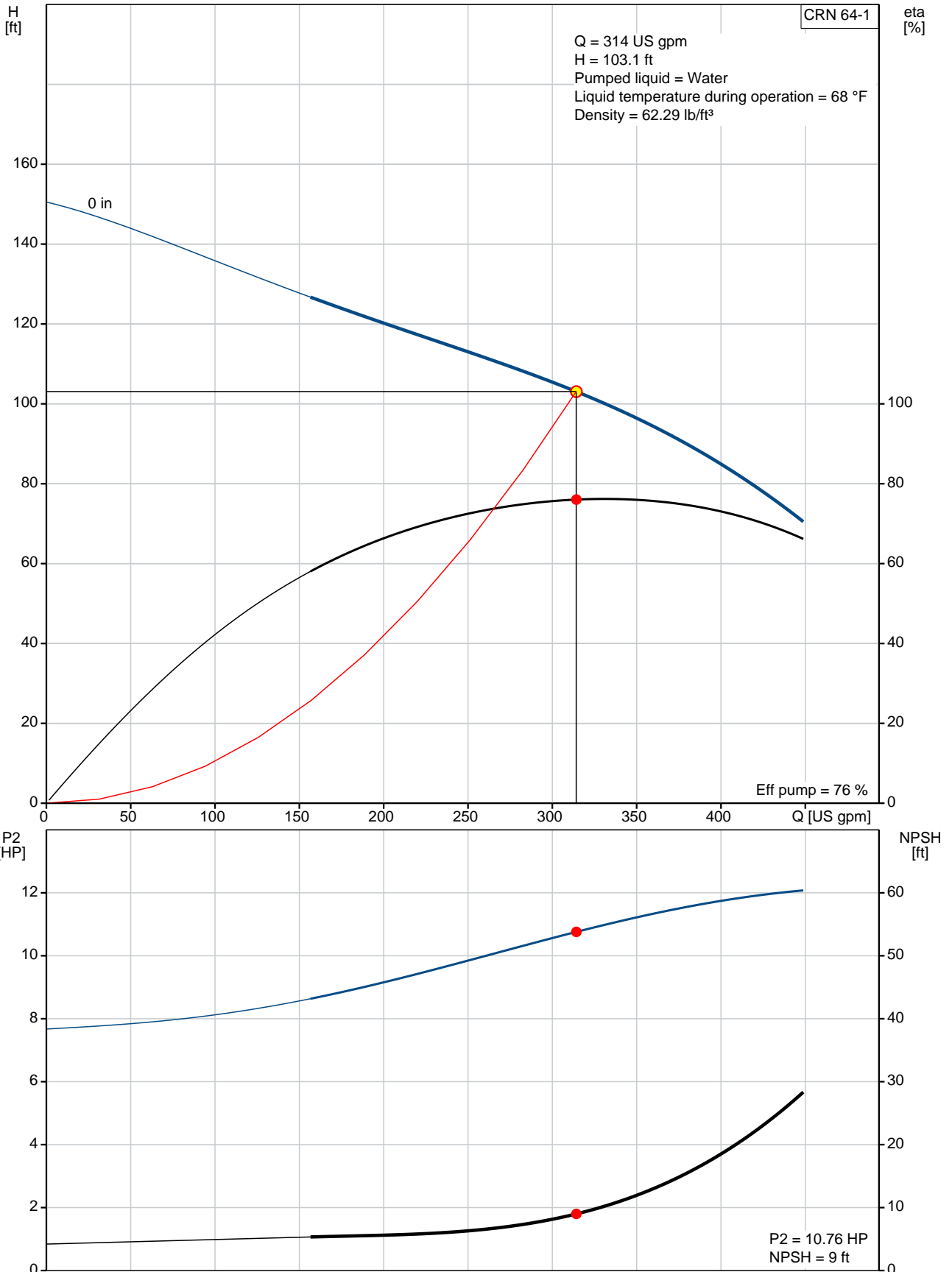
| Position | Count | Description |
|----------|-------|--|
| | | Max pressure at stated temperature: 232 psi / 250 °F 232 psi / -40 °F |
| | | Type of connection: ANSI |
| | | Size of suction port: 4 inch |
| | | Size of outlet port: 4 inch |
| | | Pressure rating: PN 16 |
| | | Flange size for motor: 254TC |
| | | Flange rating inlet: 150 lb |
| | | Electrical data: |
| | | Motor standard: NEMA |
| | | Power (P2) required by pump: 15 HP |
| | | Others: |
| | | Net weight: 156 lb |
| | | Gross weight: 174 lb |
| | | Shipping volume: 7.45 ft ³ |



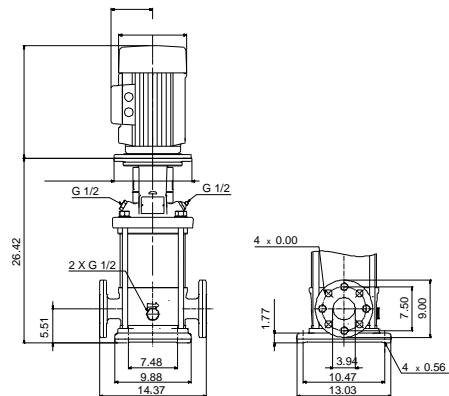
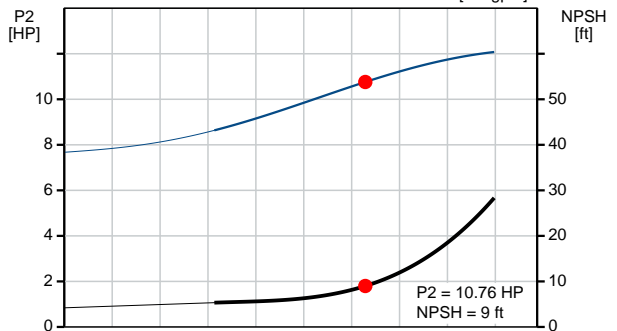
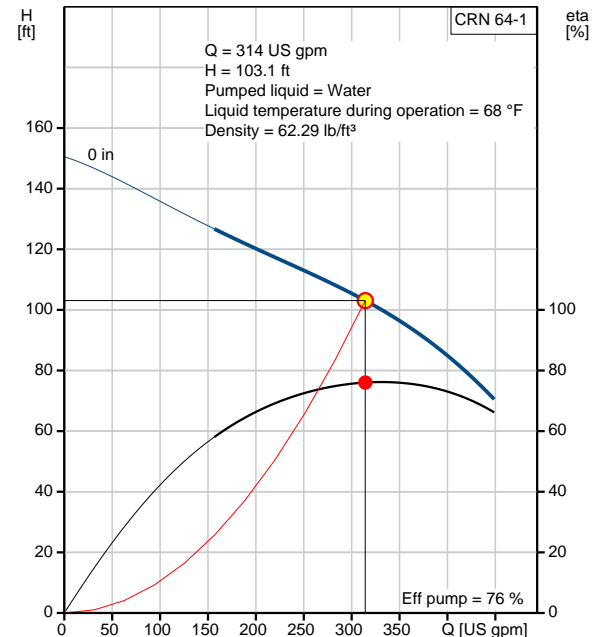
Company name:
Created by:
Phone:

Date: 2/21/2018

96416021 CRN 64-1 60 Hz



| Description | Value |
|--------------------------------------|--|
| General information: | |
| Product name: | CRN 64-1 A-G-G-E-HQQE |
| Product No.: | 96416021 |
| EAN: | 5700390656669 |
| Technical: | |
| Speed for pump data: | 3444 rpm |
| Actual calculated flow: | 314 US gpm |
| Resulting head of the pump: | 103.1 ft |
| Stages: | 1 |
| Impellers: | 1 |
| Low NPSH: | N |
| Pump orientation: | Vertical |
| Shaft seal arrangement: | Single |
| Code for shaft seal: | HQQE |
| Approvals on nameplate: | NSF61 |
| Curve tolerance: | ISO9906:2012 3B |
| Pump version: | A |
| Model: | B |
| Materials: | |
| Base: | Stainless steel EN 1.4408 AISI 316 |
| Impeller: | Stainless steel EN 1.4401 AISI 316 |
| Material code: | G |
| Code for rubber: | E |
| Bearing material: | SIC |
| Support bearing: | Graflon |
| Installation: | |
| Max pressure at stated temperature: | 232 psi / 250 °F 232 psi / -40 °F |
| Type of connection: | ANSI |
| Connect code: | G |
| Size of suction port: | 4 inch |
| Size of outlet port: | 4 inch |
| Pressure rating: | PN 16 |
| Flange size for motor: | 254TC |
| Flange rating inlet: | 150 lb |
| Liquid: | |
| Pumped liquid: | Water |
| Liquid temperature during operation: | 68 °F |
| Density: | 62.29 lb/ft³ |
| Electrical data: | |
| Motor standard: | NEMA |
| Power (P2) required by pump: | 15 HP |
| Controls: | |
| Frequency converter: | NONE |
| Others: | |
| Net weight: | 156 lb |
| Gross weight: | 174 lb |
| Shipping volume: | 7.45 ft³ |





Company name:

Created by:

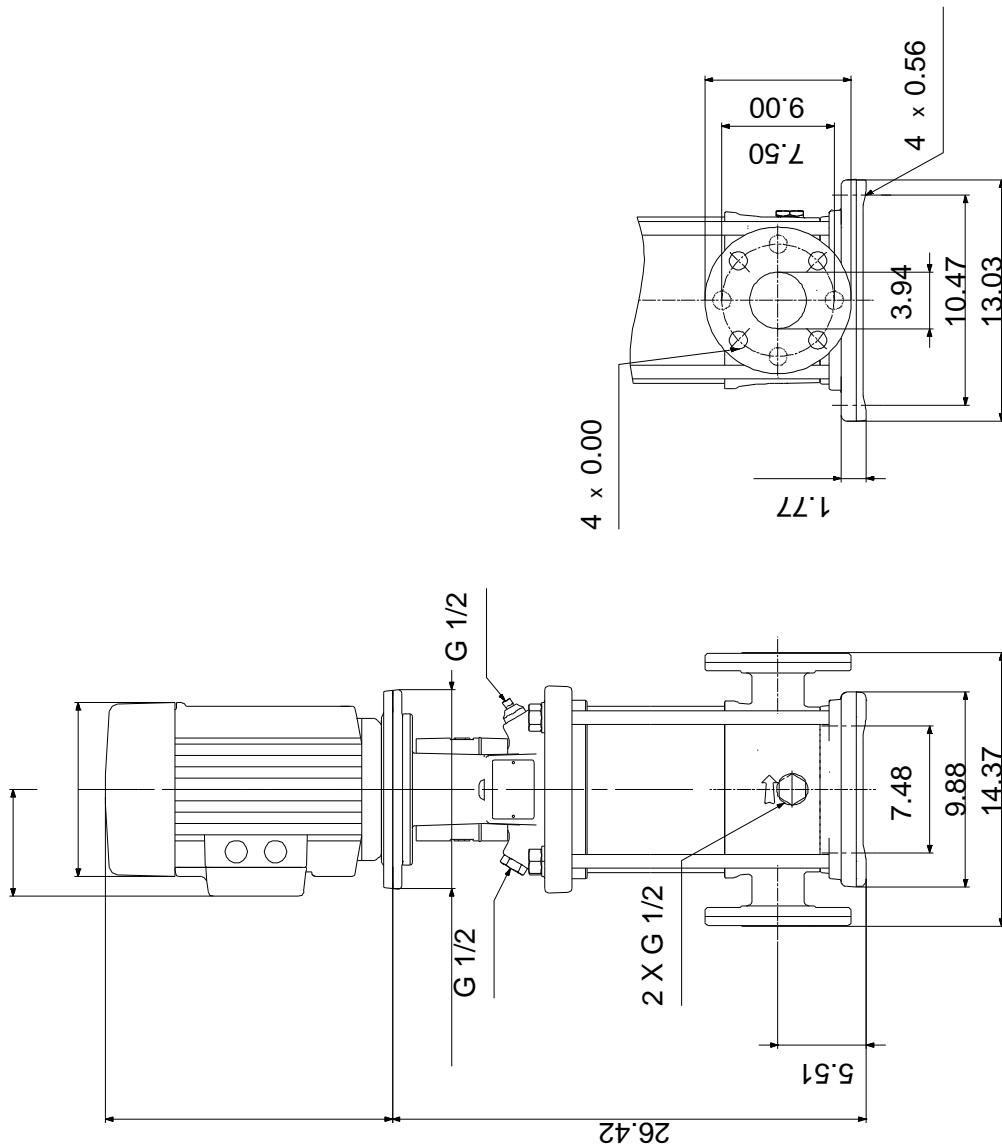
Phone:

Date:

2/21/2018

| Description | Value |
|---------------|--------|
| Sales region: | Namreg |

96416021 CRN 64-1 60 Hz



Note! All units are in [mm] unless otherwise stated.
Disclaimer: This simplified dimensional drawing does not show all details.



Company name:

Created by:

Phone:

Date: 2/21/2018

Order Data:

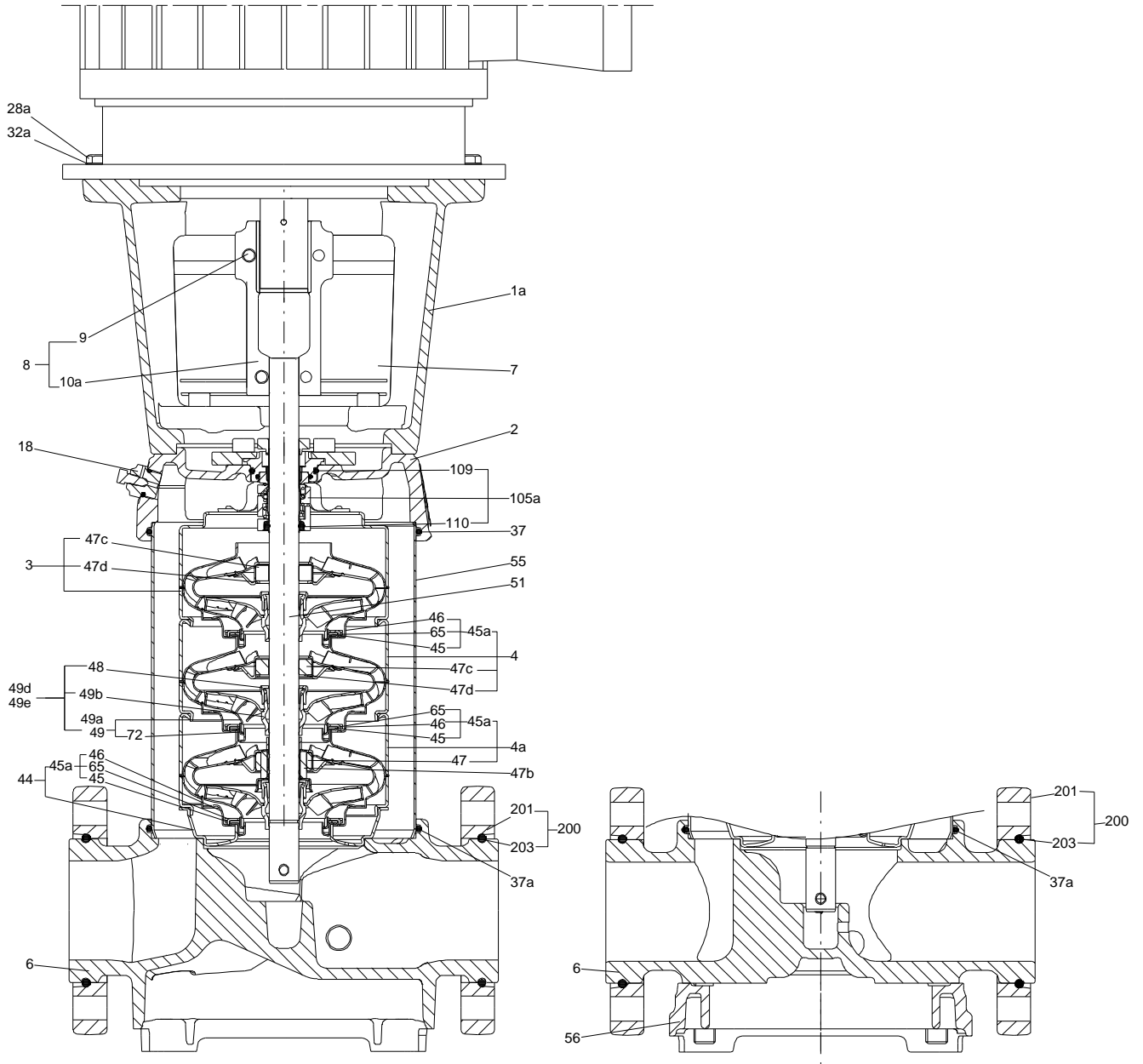
Product name: CRN 64-1 A-G-G-E-HQQE

Amount: 1

Product No.: 96416021

Total: Price on request

Sectional drawing (TM065571 LACR)



Parts list CRN 64-1, Prod number 96416021

Valid from 3.3.2014 (1410)

| Position | Description | Annotation | Classification data | Part No. | Count | Unit |
|----------|-----------------------------------|------------|--|----------|-------|------|
| | Hex head screw | | | | 1 | pcs |
| | Washer | | | | 1 | pcs |
| - | Flange cpl. | | | | 2 | pcs |
| 201 | Flange | | Pressure (bar): 150-4 Dimension: 229X25 | | 1 | |
| 203 | Lock ring | | | | 1 | |
| - | Motor stool cpl. | | | | 1 | pcs |
| 1a | Motor stool | | | | 1 | |
| 7 | Coupling guard | | | | 2 | |
| 7a | Socket button head screw | | | | 4 | |
| 28 | Hex socket head cap screw | | Designation: DIN 912 Length: 50 Thread: M10 | | 4 | |
| 28a | Hex socket head cap screw | | Length: 13 Thread: 1/2" | | 4 | |
| | Quick guide | | | | 1 | pcs |
| | Shaft end | | | | 1 | pcs |
| | Bar | | | | 1 | pcs |
| | Spring lock washer | | | | 1 | pcs |
| - 1 | Basic unit | | | | 1 | pcs |
| - 2a | Pump head cpl. | | | | 1 | |
| 2 | Pump head | | | | | |
| 9 | Hex socket head cap screw | | Designation: DIN 912 Length: 25 Thread: M10 | | | |
| - 18 | Air vent screw Plug Spindle | | | | | |
| 23 | Plug | | | | | |
| 37 | O-ring | | Diameter: 216 Material type: FKM Thickness: 4 | | | |
| 58 | Cover | | | | | |
| 60 | Spring | | | | | |
| 100 | O-ring | | Diameter: 16,3 Material type: FKM Thickness: 2,4 | | | |
| - 6b | Base cpl. O-ring | | Rubber type: EPDM | | 1 | |
| 6 | Base | | | | | |
| 25 | Plug | | | | | |
| 32 | Washer | | Designation: DIN 125A Inner diameter: 6,4 Outer diameter: 12,0 Thickness: 1,6 | | | |
| 38 | O-ring | | Diameter: 16,3 Material type: EPDM Thickness: 2,4 | | | |
| 56 | Base plate | | | | | |
| 26 | Staybolt | | Length: 313 Thread: M16 | | 4 | |
| 36 | Nut | | Thread: M16 | | 4 | |
| 55 | Outer sleeve | | | | 1 | |

| Position | Description | Annotation | Classification data | Part No. | Count | Unit |
|----------|---------------------------|------------|-------------------------|----------|-------|------|
| 66a | Washer | | Designation: DIN 125 A2 | | 4 | |
| | | | Inner diameter: 17 | | | |
| | | | Outer diameter: 30 | | | |
| | | | Thickness: 3 | | | |
| - 80 | Chamber stack | | | | 1 | |
| - 3 | Upper chamber cpl. | | | | | |
| | Chamber | | | | | |
| | Chamber | | | | | |
| | Guide vane | | | | | |
| | Cone | | | | | |
| | Guide cup | | | | | |
| | Guide cup | | | | | |
| 47 | Bearing | | | | | |
| 26a | Strap cpl. | | Length: 92 | | | |
| | | | Thread: M8 | | | |
| 26b | Hex socket head cap screw | | | | | |
| 26c | Washer | | Designation: DIN 125A | | | |
| | | | Inner diameter: 8,4 | | | |
| | | | Outer diameter: 16 | | | |
| | | | Thickness: 1,6 | | | |
| - 44 | Inlet part cpl. | | | | | |
| 44a | Inlet part | | | | | |
| 45 | Seal ring | | | | | |
| 65 | Neck ring | | | | | |
| 65 | Top f/neck ring | | | | | |
| - 47a | Bearing cpl. | | | | | |
| | Disc spring | | | | | |
| | Bearing ring, rotating | | | | | |
| | Holder | | | | | |
| | Driver | | | | | |
| | Hairpin clip | | | | | |
| - 49 | Impeller cpl. | | | | | |
| 48 | Nut | | | | | |
| - 49 | Impeller | | | | | |
| | Impeller hub | | | | | |
| 49c | Wear ring | | | | | |
| 49b | Split cone | | | | | |
| 51 | Shaft | | | | | |
| - 8 | Coupling cpl. | | Dimension: 22/41,2 | | 1 | pcs |
| 9 | Hex socket head cap screw | | Designation: DIN 912 | | 4 | |
| | | | Length: 25 | | | |
| | | | Thread: M10 | | | |
| 10a | Coupling half | | | | 2 | |
| 36 | Hex nut | | | | 2 | pcs |
| - 105 | Shaft seal | | Material type: HQQE | | 1 | pcs |
| | Adjusting fork | | | | 1 | |
| 109 | O-ring | | | | 1 | |
| 110 | O-ring | | Diameter: 21,5 | | 1 | |
| | | | Material type: EPDM | | | |
| | | | Thickness: 4,25 | | | |