

PROJECT: _____	UNIT TAG: _____	QUANTITY: _____
REPRESENTATIVE: _____	TYPE OF SERVICE: _____	DATE: _____
ENGINEER: _____	SUBMITTED BY: _____	DATE: _____
CONTRACTOR: _____	APPROVED BY: _____	DATE: _____
	ORDER NO.: _____	DATE: _____

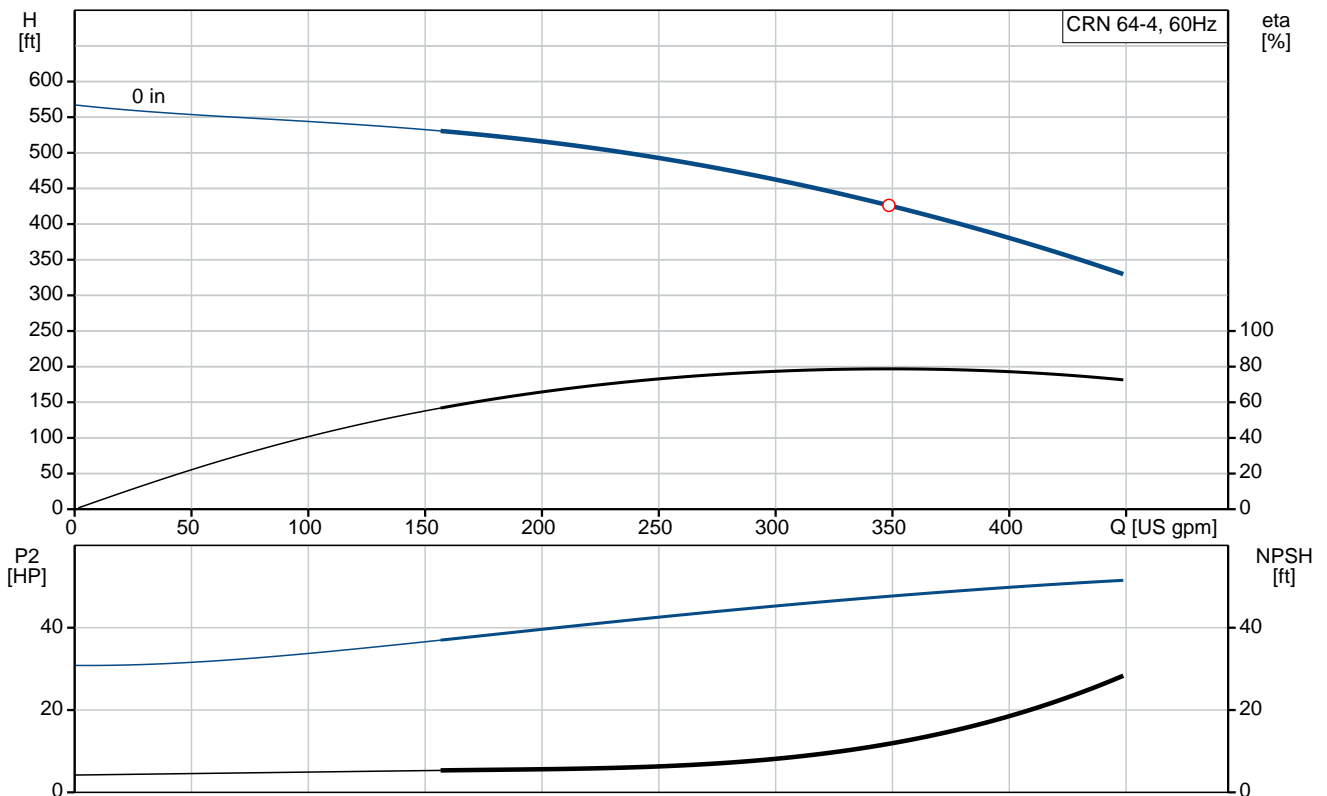


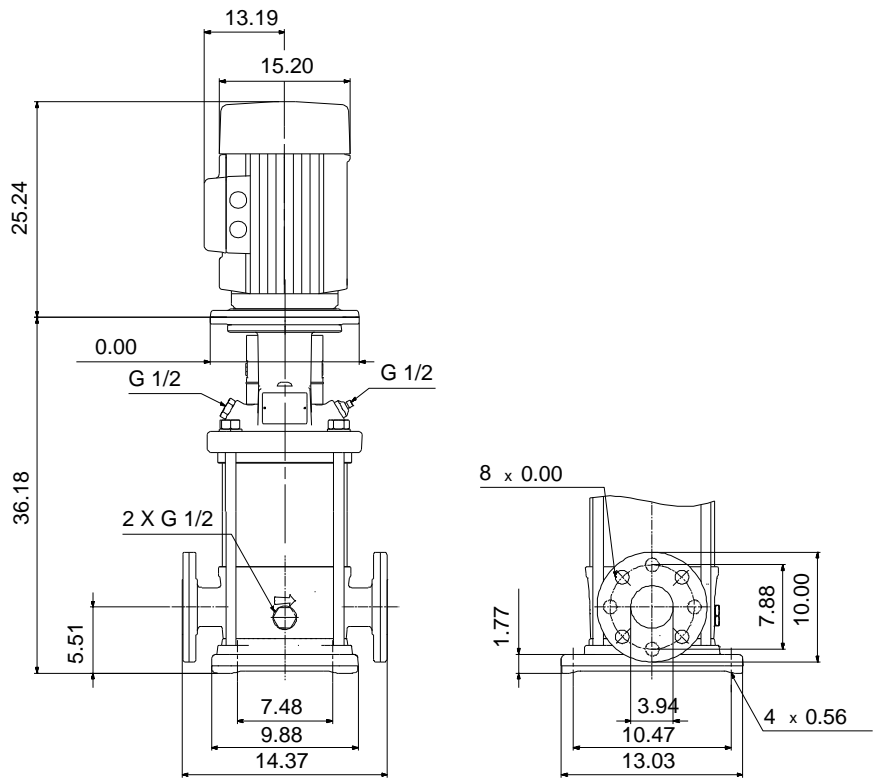
CRN 64-4

Vertical, multistage centrifugal pump with suction and discharge ports on same the level. Pump materials in contact with the liquid are in high-grade stainless steel (EN 1.4401) (AISI 316)

Product photo could vary from the actual product

Conditions of Service	Pump Data	Motor Data
Flow: _____	Max pressure at stated temperature: 435 psi / 194 °F	Rated power - P2: 50 HP
Head: _____	Maximum ambient temperature: 104 °F	Rated voltage: 230/460 V
Efficiency: _____	Approvals: CURUS	Main frequency: 60 Hz
Liquid: Water	Shaft seal: HQQV	Enclosure class: 54 Dust/Splashing
Temperature: 68 °F	Product number: 96418948	Insulation class: F
NPSH required: ft		Motor protection: NONE
Viscosity: _____		Motor type: BALDOR
Specific Gravity: 1.000		





Materials:

- Base: Stainless steel
EN 1.4408
AISI 316
- Impeller: Stainless steel
AISI 316
EN 1.4401
- Material code: G
- Code for rubber: V

Tender Text



Product No.: [96418948](#)

CRN 64-4 A-G-G-V-HQQV

Vertical, non-self-priming, multistage, in-line, centrifugal pump for installation in pipe systems and mounting on a foundation.

The pump has the following characteristics:

- Impellers, intermediate chambers and outer sleeve are made of
 - Pump head cover and base are made of
 - The shaft seal has assembly length according to EN 12756.
 - Power transmission is via cast iron split coupling.
- flanges/couplings.

The motor is a 3-phase AC motor.

Controls:

Frequency converter: NONE

Liquid:

Pumped liquid: Water
Liquid temperature during operation: 68 °F
Density: 62.29 lb/ft³

Technical:

Speed for pump data: 3550 rpm
Pump orientation: Vertical
Shaft seal arrangement: Single
Code for shaft seal: HQQV
Approvals on nameplate: CURUS
Curve tolerance: ISO9906:2012 3B

Materials:

Base: Stainless steel
EN 1.4408
AISI 316
Impeller: Stainless steel
EN 1.4401
AISI 316
Bearing material: SIC
Support bearing: Graflon

Installation:

Maximum ambient temperature: 104 °F
Max pressure at stated temperature: 435 psi / 194 °F
435 psi / -4 °F



Company name:

Created by:

Phone:

Date:

2/21/2018


Type of connection: ANSI
Size of suction port: 4 inch
Size of outlet port: 4 inch
Pressure rating: PN 40
Flange size for motor: 324TC
Flange rating inlet: 300 lb

Electrical data:

Motor standard: NEMA
Motor type: BALDOR
IE Efficiency class: NEMA Premium / IE3 60Hz
Rated power - P2: 50 HP
Power (P2) required by pump: 50 HP
Main frequency: 60 Hz
Rated voltage: 3 x 230/460 V
Service factor: 1,15
Rated current: 108/54 A
Rated speed: 3550 rpm
Number of poles: 2
Enclosure class (IEC 34-5): 54 Dust/Splashing
Insulation class (IEC 85): F

Others:

Net weight: 638 lb
Gross weight: 656 lb
Shipping volume: 29 ft³

Position	Count	Description
	1	<p>CRN 64-4 A-G-G-V-HQQV</p>  <p>Product No.: 96418948 Vertical, non-self-priming, multistage, in-line, centrifugal pump for installation in pipe systems and mounting on a foundation.</p> <p>The pump has the following characteristics:</p> <ul style="list-style-type: none"> - Impellers, intermediate chambers and outer sleeve are made of - Pump head cover and base are made of - The shaft seal has assembly length according to EN 12756. - Power transmission is via cast iron split coupling flanges/couplings. <p>The motor is a 3-phase AC motor.</p> <p>Controls: Frequency converter: NONE</p> <p>Liquid: Pumped liquid: Water Liquid temperature during operation: 68 °F Density: 62.29 lb/ft³</p> <p>Technical: Speed for pump data: 3550 rpm Pump orientation: Vertical Shaft seal arrangement: Single Code for shaft seal: HQQV Approvals on nameplate: CURUS Curve tolerance: ISO9906:2012 3B</p> <p>Materials: Base: Stainless steel EN 1.4408 AISI 316 Impeller: Stainless steel EN 1.4401 AISI 316 Bearing material: SIC Support bearing: Graflon</p> <p>Installation: Maximum ambient temperature: 104 °F Max pressure at stated temperature: 435 psi / 194 °F 435 psi / -4 °F Type of connection: ANSI</p>



Company name:

Created by:

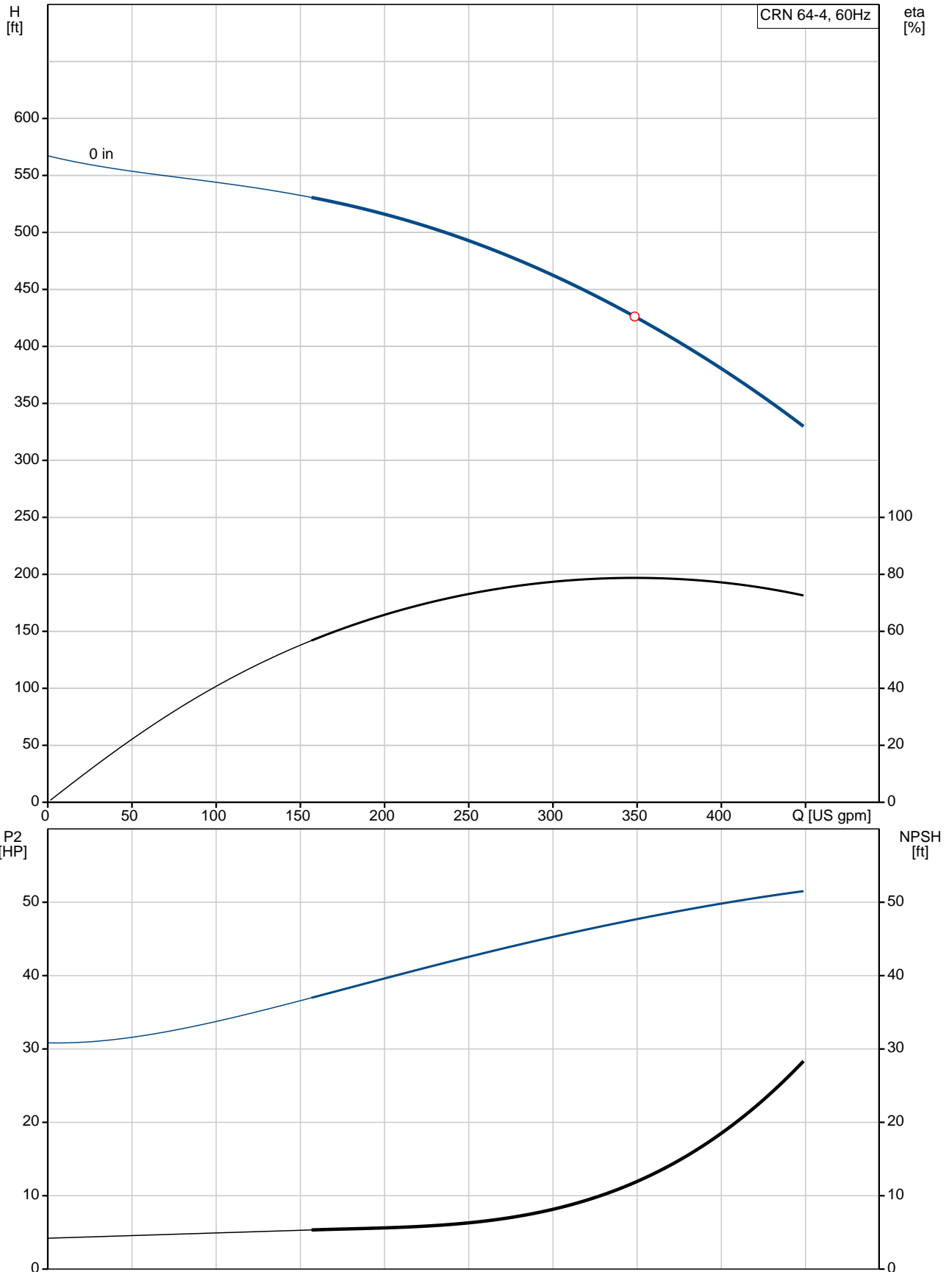
Phone:

Date:

2/21/2018

Position	Count	Description
		Size of suction port: 4 inch Size of outlet port: 4 inch Pressure rating: PN 40 Flange size for motor: 324TC Flange rating inlet: 300 lb
		Electrical data: Motor standard: NEMA Motor type: BALDOR IE Efficiency class: NEMA Premium / IE3 60Hz Rated power - P2: 50 HP Power (P2) required by pump: 50 HP Main frequency: 60 Hz Rated voltage: 3 x 230/460 V Service factor: 1,15 Rated current: 108/54 A Rated speed: 3550 rpm Number of poles: 2 Enclosure class (IEC 34-5): 54 Dust/Splashing Insulation class (IEC 85): F
		Others: Net weight: 638 lb Gross weight: 656 lb Shipping volume: 29 ft ³

96418948 CRN 64-4 60 Hz



Description	Value
-------------	-------

General information:

Product name: CRN 64-4 A-G-G-V-HQQV
 Product No.: 96418948
 EAN: 5700390740832

Technical:

Speed for pump data: 3550 rpm
 Stages: 4
 Impellers: 4
 Low NPSH: N
 Pump orientation: Vertical
 Shaft seal arrangement: Single
 Code for shaft seal: HQQV
 Approvals on nameplate: CURUS
 Curve tolerance: ISO9906:2012 3B
 Pump version: A
 Model: B
 Cooling: ODP

Materials:

Base: Stainless steel
 EN 1.4408
 AISI 316
 Impeller: Stainless steel
 EN 1.4401
 AISI 316
 Material code: G
 Code for rubber: V
 Bearing material: SIC
 Support bearing: Graflon

Installation:

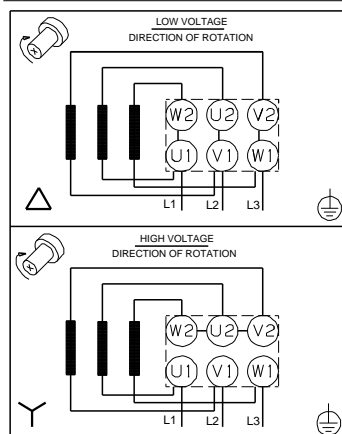
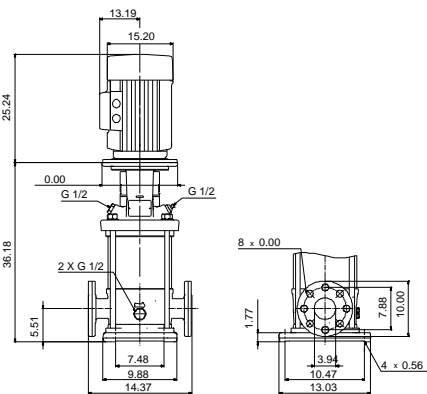
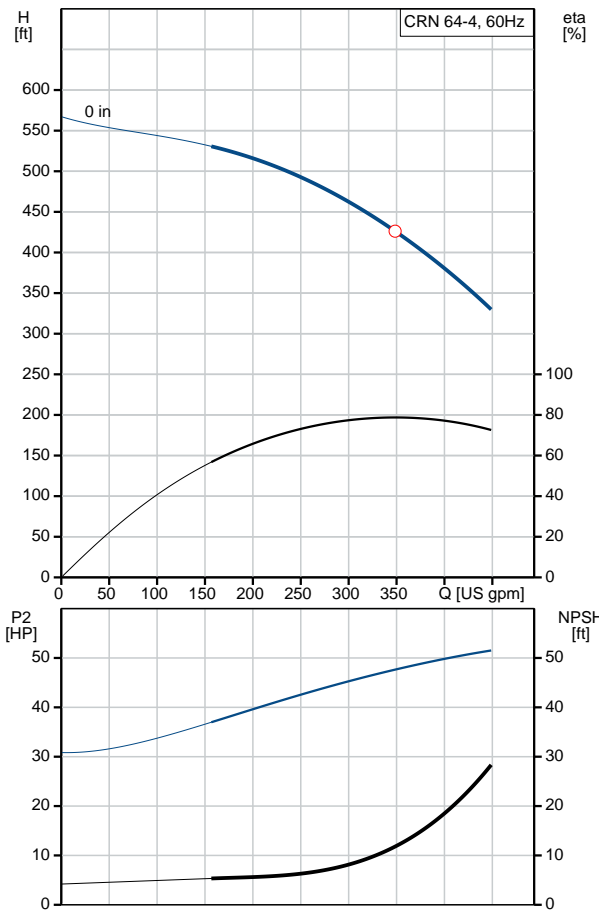
Maximum ambient temperature: 104 °F
 Max pressure at stated temperature: 435 psi / 194 °F
 435 psi / -4 °F
 Type of connection: ANSI
 Connect code: G
 Size of suction port: 4 inch
 Size of outlet port: 4 inch
 Pressure rating: PN 40
 Flange size for motor: 324TC
 Flange rating inlet: 300 lb

Liquid:

Pumped liquid: Water
 Liquid temperature during operation: 68 °F
 Density: 62.29 lb/ft³

Electrical data:

Motor standard: NEMA
 Motor type: BALDOR
 IE Efficiency class: NEMA Premium / IE3 60Hz
 Rated power - P2: 50 HP
 Power (P2) required by pump: 50 HP
 KVA code: F
 Main frequency: 60 Hz
 Rated voltage: 3 x 230/460 V
 Service factor: 1,15
 Rated current: 108/54 A





Company name:

Created by:

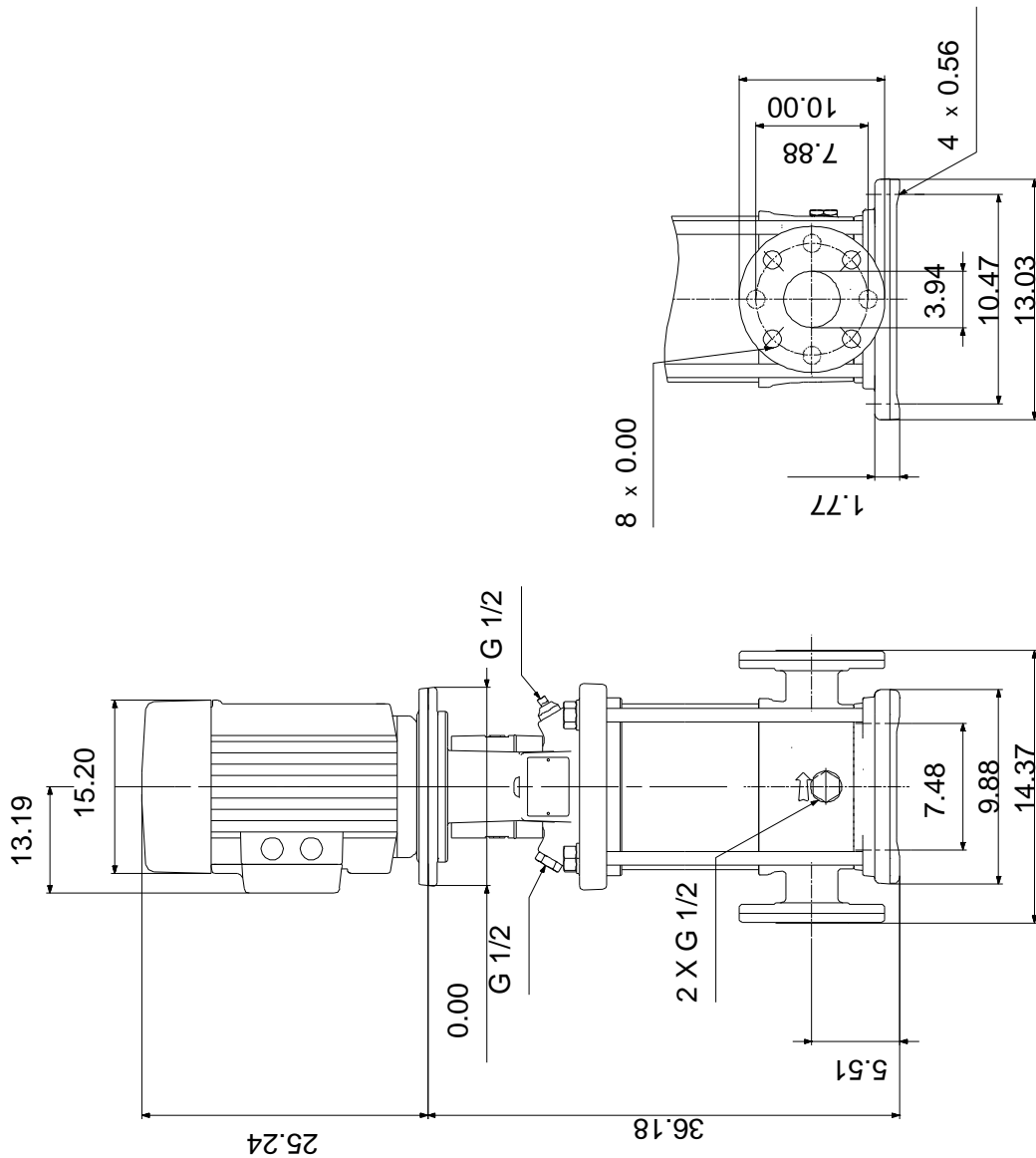
Phone:

Date:

2/21/2018

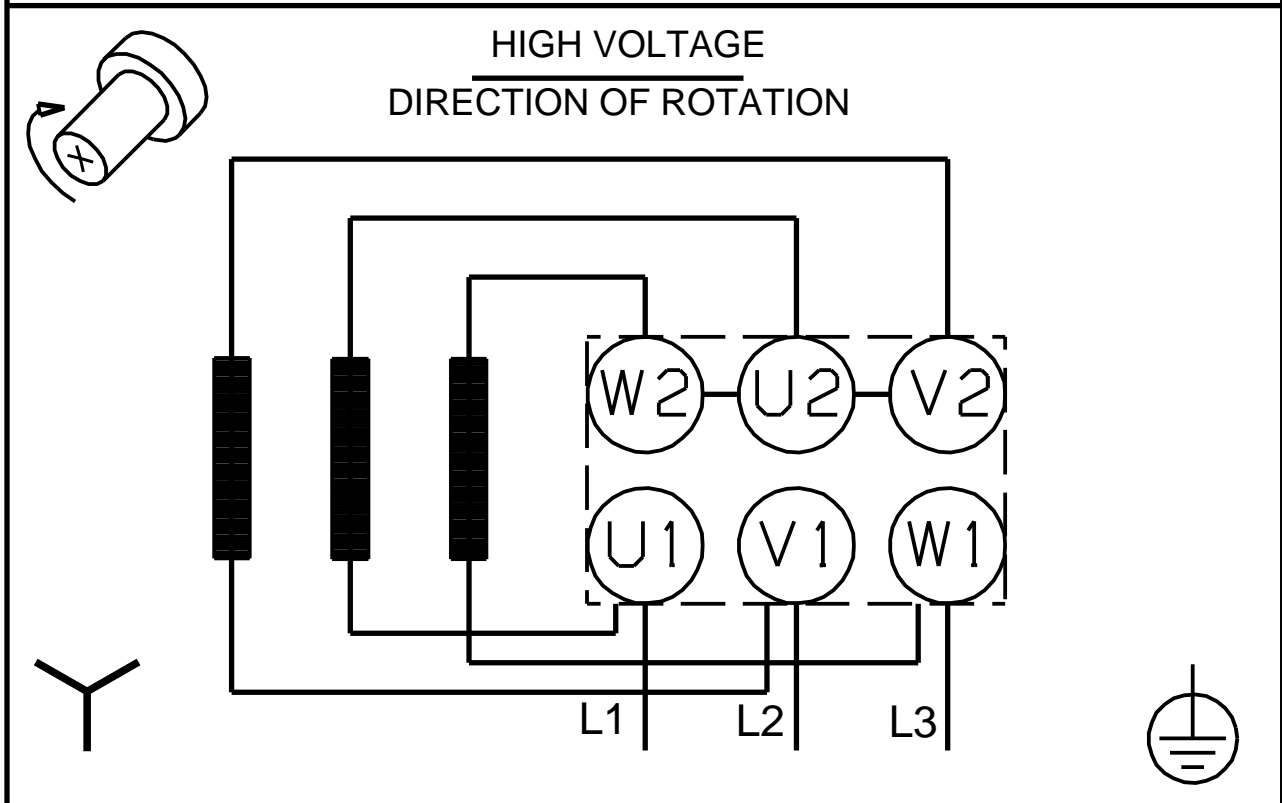
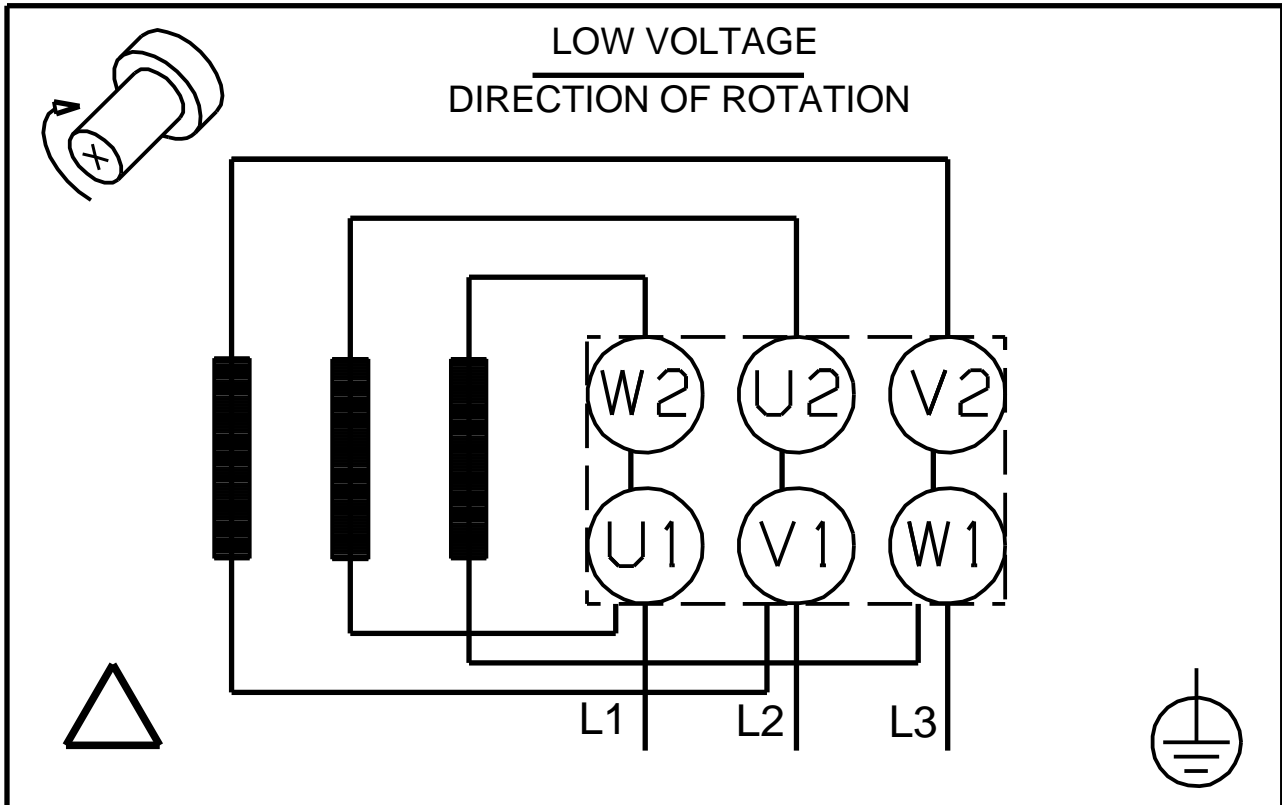
Description	Value
Load current:	130/65 A
Rated speed:	3550 rpm
Number of poles:	2
Enclosure class (IEC 34-5):	54 Dust/Splashing
Insulation class (IEC 85):	F
Motor protection:	NONE
Motor Number:	84Z04063
Controls:	
Frequency converter:	NONE
Others:	
Net weight:	638 lb
Gross weight:	656 lb
Shipping volume:	29 ft ³
Sales region:	Namreg

96418948 CRN 64-4 60 Hz



Note! All units are in [mm] unless otherwise stated.
 Disclaimer: This simplified dimensional drawing does not show all details.

96418948 CRN 64-4 60 Hz



All units are [mm] unless otherwise presented.



Company name:

Created by:

Phone:

Date: 2/21/2018

Order Data:

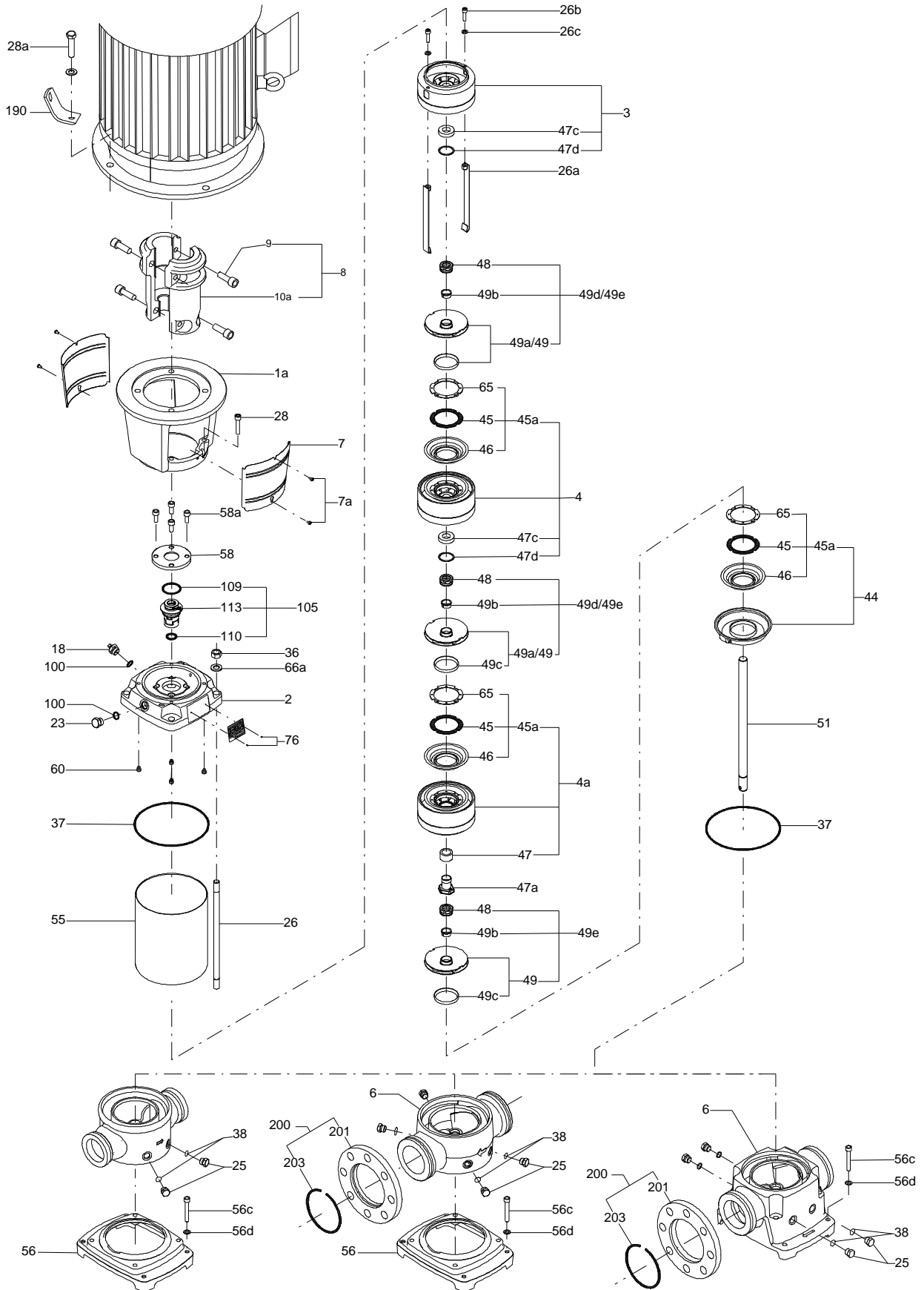
Product name: CRN 64-4 A-G-G-V-HQQV

Amount: 1

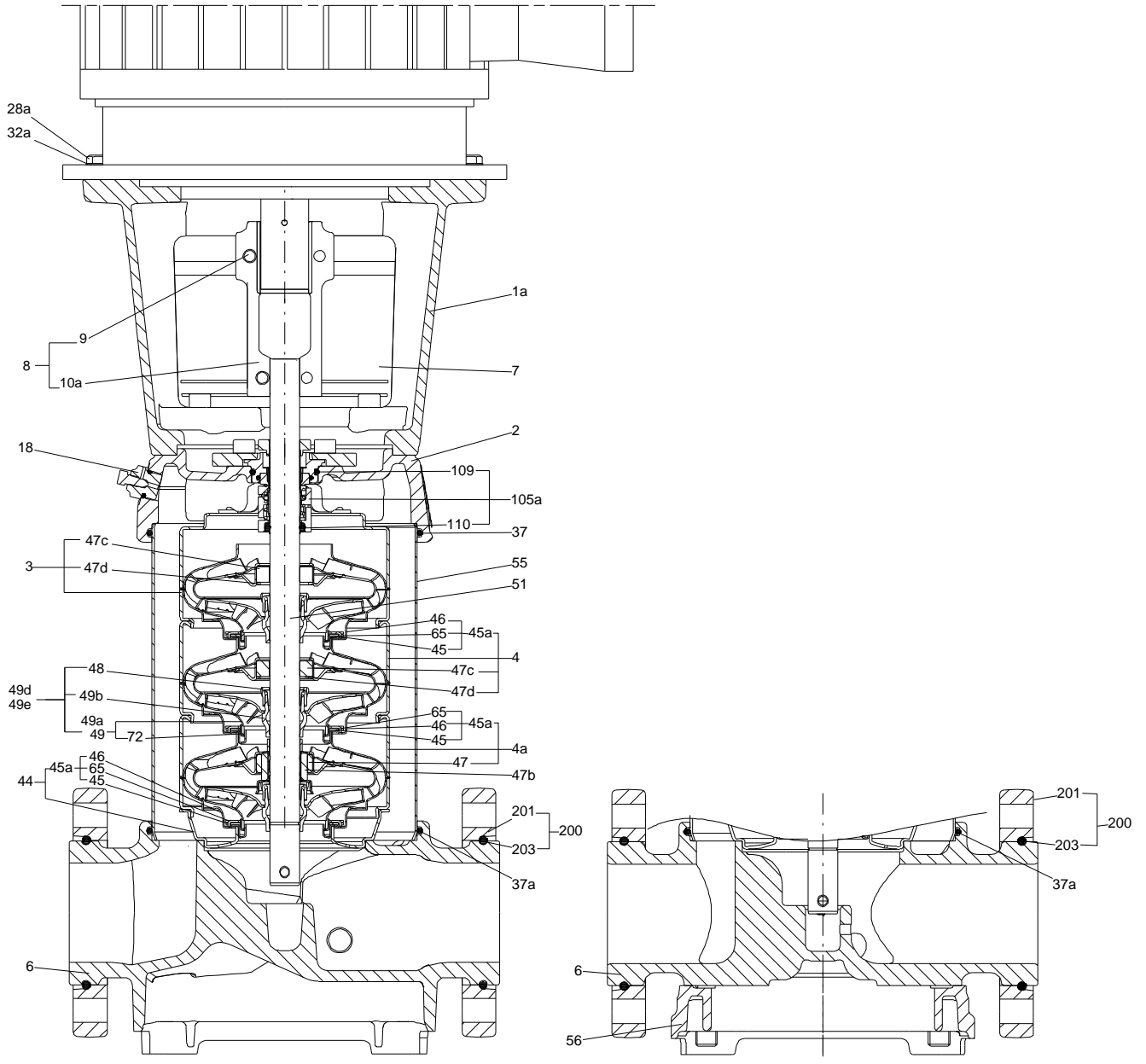
Product No.: 96418948

Total: Price on request

Exploded view (TM065558 LACR)



Sectional drawing (TM065571 LACR)



Parts list CRN 64-4, Prod number 96418948

Valid from 3.3.2014 (1410)

Position	Description	Annotation	Classification data	Part No.	Count	Unit
	Motor				1	pcs
-	Motor stool cpl.				1	pcs
1a	Motor stool				1	
7	Coupling guard				2	
7a	Socket button head screw				4	
28	Hex socket head cap screw		Designation: DIN 912		4	
			Length: 50			
			Thread: M10			
28.a	Hex socket head screw				4	
- 1	Basic unit				1	pcs
- 2a	Pump head cpl.				1	
2	Pump head					
9	Hex socket head cap screw		Designation: DIN 912			
			Length: 25			
			Thread: M10			
- 18	Air vent screw					
	Plug					
	Spindle					
23	Plug					
37	O-ring		Diameter: 216			
			Material type: FKM			
			Thickness: 4			
58	Cover					
60	Spring					
100	O-ring		Diameter: 16,3			
			Material type: FKM			
			Thickness: 2,4			
- 6b	Base cpl.				1	
6	Base					
25	Plug					
32	Washer		Designation: DIN 125A			
			Inner diameter: 6,4			
			Outer diameter: 12,0			
			Thickness: 1,6			
37	O-ring		Diameter: 216			
			Material type: FKM			
			Thickness: 4			
38	O-ring		Diameter: 16,3			
			Material type: FKM			
			Thickness: 2,4			
56	Base plate					
26	Staybolt		Length: 562		4	
			Thread: M16			
36	Nut		Thread: M16		4	
55	Outer sleeve				1	
66a	Washer		Designation: DIN 125 A2		4	
			Inner diameter: 17			
			Outer diameter: 30			
			Thickness: 3			
- 80	Chamber stack				1	
- 3	Upper chamber cpl.					
	Chamber					
	Chamber					

Position	Description	Annotation	Classification data	Part No.	Count	Unit
	Guide vane					
	Cone					
	Guide cup					
	Guide cup					
47c	Bush					
47d	Lock ring					
- 4	Intermediate chamber cpl.					
	Chamber					
	Chamber					
	Guide vane					
	Cone					
	Guide cup					
	Guide cup					
45	Neck ring cpl.					
47c	Bush					
47d	Lock ring					
- 4a	Intermediate chamber cpl.					
	Chamber					
	Chamber					
	Guide vane					
	Cone					
	Guide cup					
	Guide cup					
45	Neck ring cpl.					
47	Bearing					
26a	Strap cpl.		Length: 339,5 Thread: M8			
26b	Hex socket head cap screw					
26c	Washer		Designation: DIN 125A Inner diameter: 8,4 Outer diameter: 16 Thickness: 1,6			
- 44	Inlet part cpl.					
44a	Inlet part					
45	Seal ring					
65	Neck ring					
65	Top f/neck ring					
- 47a	Bearing cpl.					
	Disc spring					
	Bearing ring, rotating					
	Holder					
	Driver					
- 49e	Impeller cpl.					
48	Nut					
- 49	Impeller					
	Impeller hub					
49c	Wear ring					
49b	Split cone					
51	Shaft					
- 8	Coupling cpl.		Dimension: 22/47,6	1		pcs
9	Hex socket head cap screw		Designation: DIN 912 Length: 25 Thread: M10	4		
10a	Coupling half			2		
- 105	Shaft seal		Material type: HQQV	1		pcs
	Adjusting fork			1		
109	O-ring		Diameter: 44,45 Material type: FKM Thickness: 3,53	1		



Company name:

Created by:

Phone:

Date:

2/21/2018

Position	Description	Annotation	Classification data	Part No.	Count	Unit
110	O-ring		Diameter: 21,5 Thickness: 4,25		1	
- 200	Flange cpl.				2	pcs
201	Flange		Pressure (bar): 300-4 Dimension: 254X30		1	
203	Lock ring				1	