

PROJECT: _____	UNIT TAG: _____	QUANTITY: _____
REPRESENTATIVE: _____	TYPE OF SERVICE: _____	DATE: _____
ENGINEER: _____	SUBMITTED BY: _____	DATE: _____
CONTRACTOR: _____	APPROVED BY: _____	DATE: _____
	ORDER NO.: _____	DATE: _____

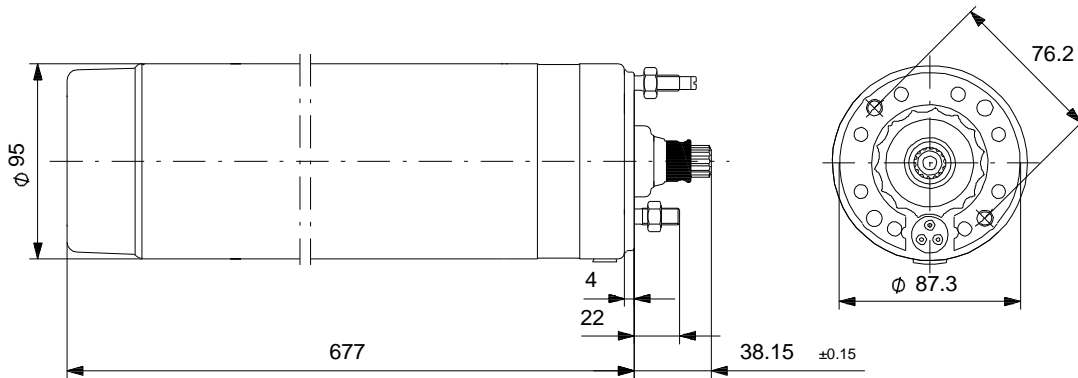


MS 4000

Submersible motors

Note! Product picture may differ from actual product

Conditions of Service	Pump Data	Motor Data
Flow: _____	Approvals: CE, EAC, CSA	Rated power - P2: 5.5 kW
Head: _____	Product number: 96405805	Rated voltage: 208-230 V
Efficiency: _____		Mains frequency: 60 Hz
Liquid: _____		Enclosure class: IP68
Temperature: _____		Insulation class: F
NPSH required: _____		Motor protection: NONE
Viscosity: _____		Thermal protection: external
Specific Gravity: _____		Motor type: MS4000



Materials:

Motor: Stainless steel
1.4301 EN
AISI 304

Tender Text



Note! Product picture may differ from actual product

Product No.: [96405805](#)

MS 4000

The motor is a 3-phase motor of the canned type with sand shield, liquid-lubricated bearings and pressure equalizing diaphragm.

Technical:

Shaft seal for motor: HM/CER
Approvals on nameplate: CE,EAC,CSA
Motor version: T40

Materials:

Motor: Stainless steel
1.4301 EN
AISI 304

Installation:

Maximum ambient pressure: 60 bar
Motor diameter: 4 inch

Electrical data:

Motor type: MS4000
Rated power - P2: 5.5 kW
Mains frequency: 60 Hz
Rated voltage: 3 x 208-230 V
Voltage tolerance: +6/-10 %
Service factor: 1,15
Rated current: 27,0-25,0 A
Maximum current consumption: 27 A
Starting current: 510-620 %
Cos phi - power factor: 0.89-0,82
Rated speed: 3415-3460 rpm
Rated full-load torque: 17.6 Nm
Locked-rotor torque: 150-200 %
Breakdown torque: 190-230 %
Moment of inertia: 0.0029 kg m²
Start. method: direct-on-line
Enclosure class (IEC 34-5): IP68
Insulation class (IEC 85): F
Built-in temp. transmitter: yes
Winding resistance: 0,83 ohm

Others:



Company name:

Created by:


Phone:

Date:

20/02/2018

Net weight:

27 kg

Position	Qty.	Description
	1	<p>MS 4000</p>  <p style="text-align: right;">Note! Product picture may differ from actual product</p> <p>Product No.: 96405805</p> <p>The motor is a 3-phase motor of the canned type with sand shield, liquid-lubricated bearings and pressure equalizing diaphragm.</p> <p>Technical:</p> <p>Shaft seal for motor: HM/CER Approvals on nameplate: CE,EAC,CSA Motor version: T40</p> <p>Materials:</p> <p>Motor: Stainless steel 1.4301 EN AISI 304</p> <p>Installation:</p> <p>Maximum ambient pressure: 60 bar Motor diameter: 4 inch</p> <p>Electrical data:</p> <p>Motor type: MS4000 Rated power - P2: 5.5 kW Mains frequency: 60 Hz Rated voltage: 3 x 208-230 V Voltage tolerance: +6/-10 % Service factor: 1,15 Rated current: 27,0-25,0 A Maximum current consumption: 27 A Starting current: 510-620 % Cos phi - power factor: 0.89-0,82 Rated speed: 3415-3460 rpm Rated full-load torque: 17.6 Nm Locked-rotor torque: 150-200 % Breakdown torque: 190-230 % Moment of inertia: 0.0029 kg m² Start. method: direct-on-line Enclosure class (IEC 34-5): IP68 Insulation class (IEC 85): F Built-in temp. transmitter: yes Winding resistance: 0,83 ohm</p> <p>Others:</p> <p>Net weight: 27 kg</p>

Description	Value
-------------	-------

General information:

Product name:	MS 4000
Product No:	96405805
EAN number:	5700391231308

Technical:

Shaft seal for motor:	HM/CER
Approvals on nameplate:	CE, EAC, CSA
Model:	B
Motor version:	T40

Materials:

Motor:	Stainless steel
	1.4301 EN
	AISI 304

Installation:

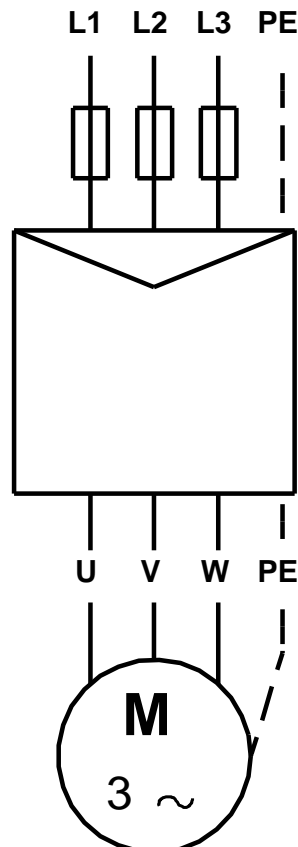
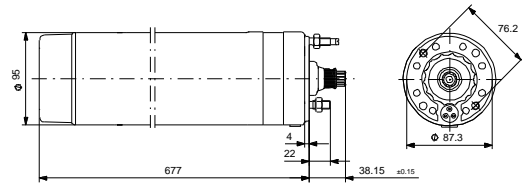
Maximum ambient pressure:	60 bar
Motor diameter:	4 inch
Staybolt:	5/16-24 UNF

Electrical data:

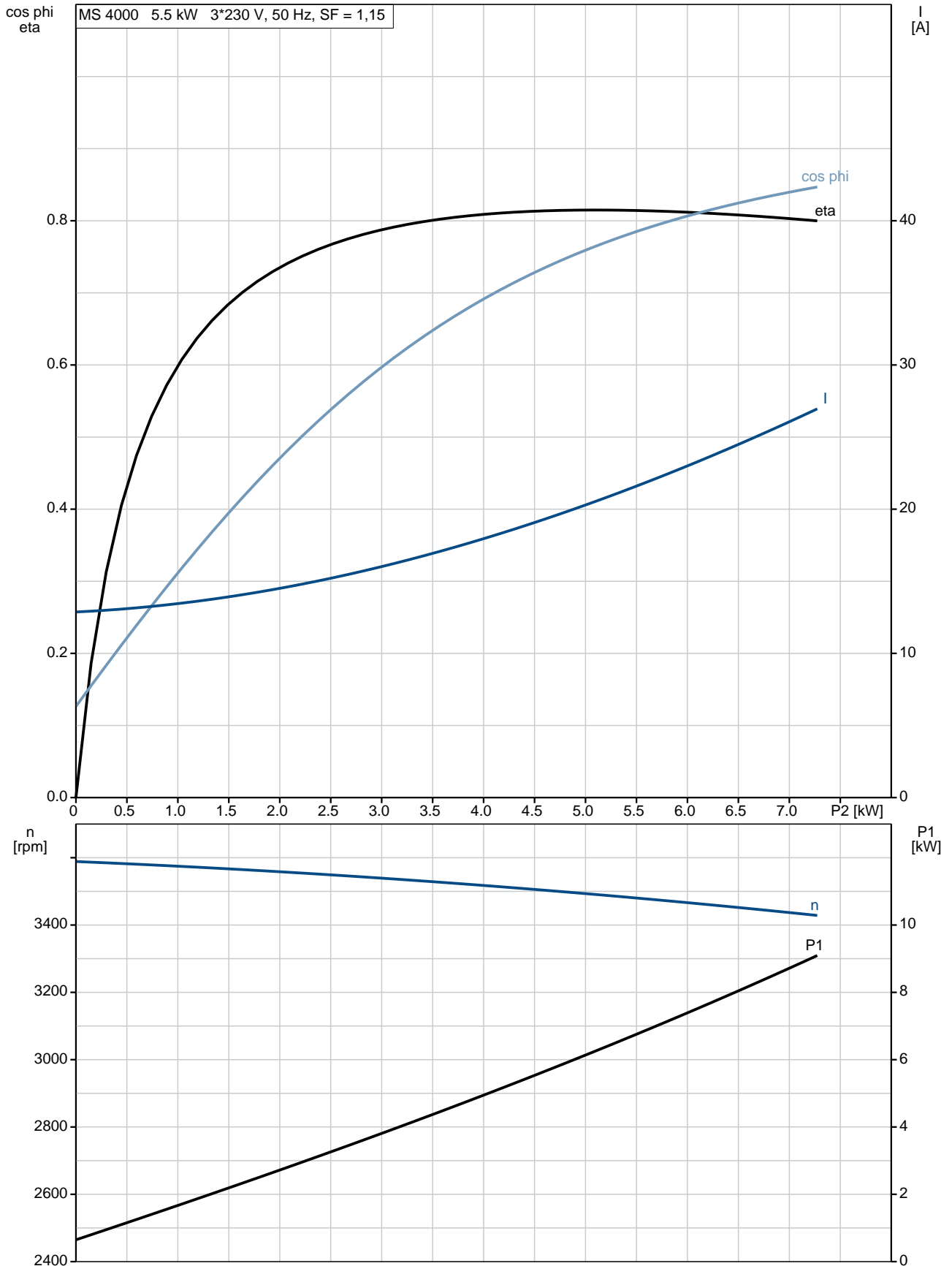
Motor type:	MS4000
Rated power - P2:	5.5 kW
KVA code:	J
Mains frequency:	60 Hz
Rated voltage:	3 x 208-230 V
Voltage tolerance:	+6/-10 %
Service factor:	1,15
Rated current:	27,0-25,0 A
Maximum current consumption:	27 A
Starting current:	510-620 %
Cos phi - power factor:	0.89-0,82
Rated speed:	3415-3460 rpm
Rated full-load torque:	17.6 Nm
Locked-rotor torque:	150-200 %
Breakdown torque:	190-230 %
Moment of inertia:	0.0029 kg m ²
Axial load max:	450 kg
Start. method:	direct-on-line
Enclosure class (IEC 34-5):	IP68
Insulation class (IEC 85):	F
Motor protec:	NONE
Thermal protec:	external
Built-in temp. transmitter:	yes
Winding resistance:	0,83 ohm

Others:

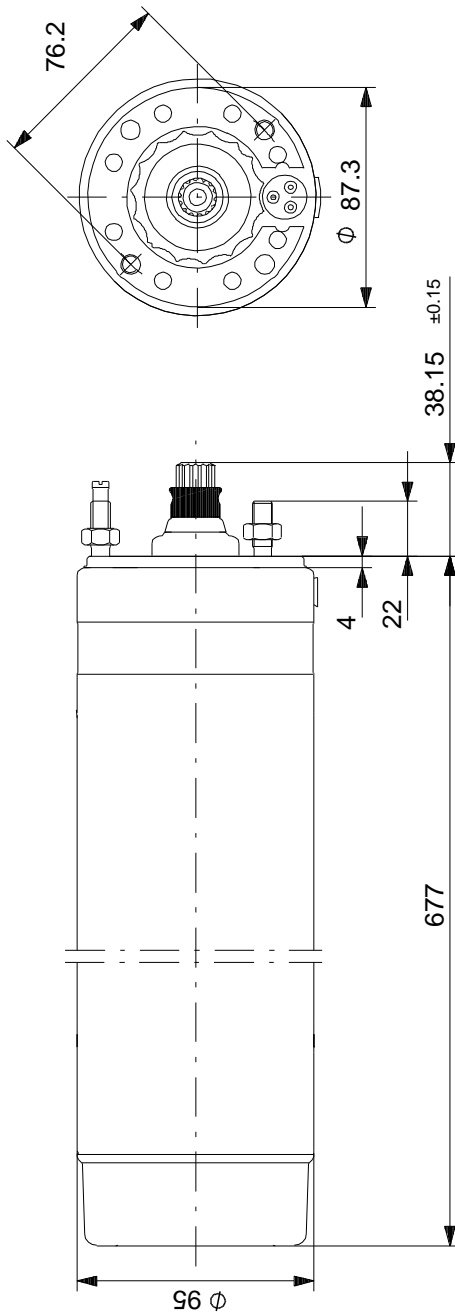
Net weight:	27 kg
-------------	-------



96405805 MS 4000 60 Hz



96405805 MS 4000 60 Hz



Note! All units are in [mm] unless others are stated.
Disclaimer: This simplified dimensional drawing does not show all details.

96405805 MS 4000 60 Hz



Note! All units are in [mm] unless others are stated.



Company name:

Created by:

Phone:

Date: 20/02/2018

Order Data:

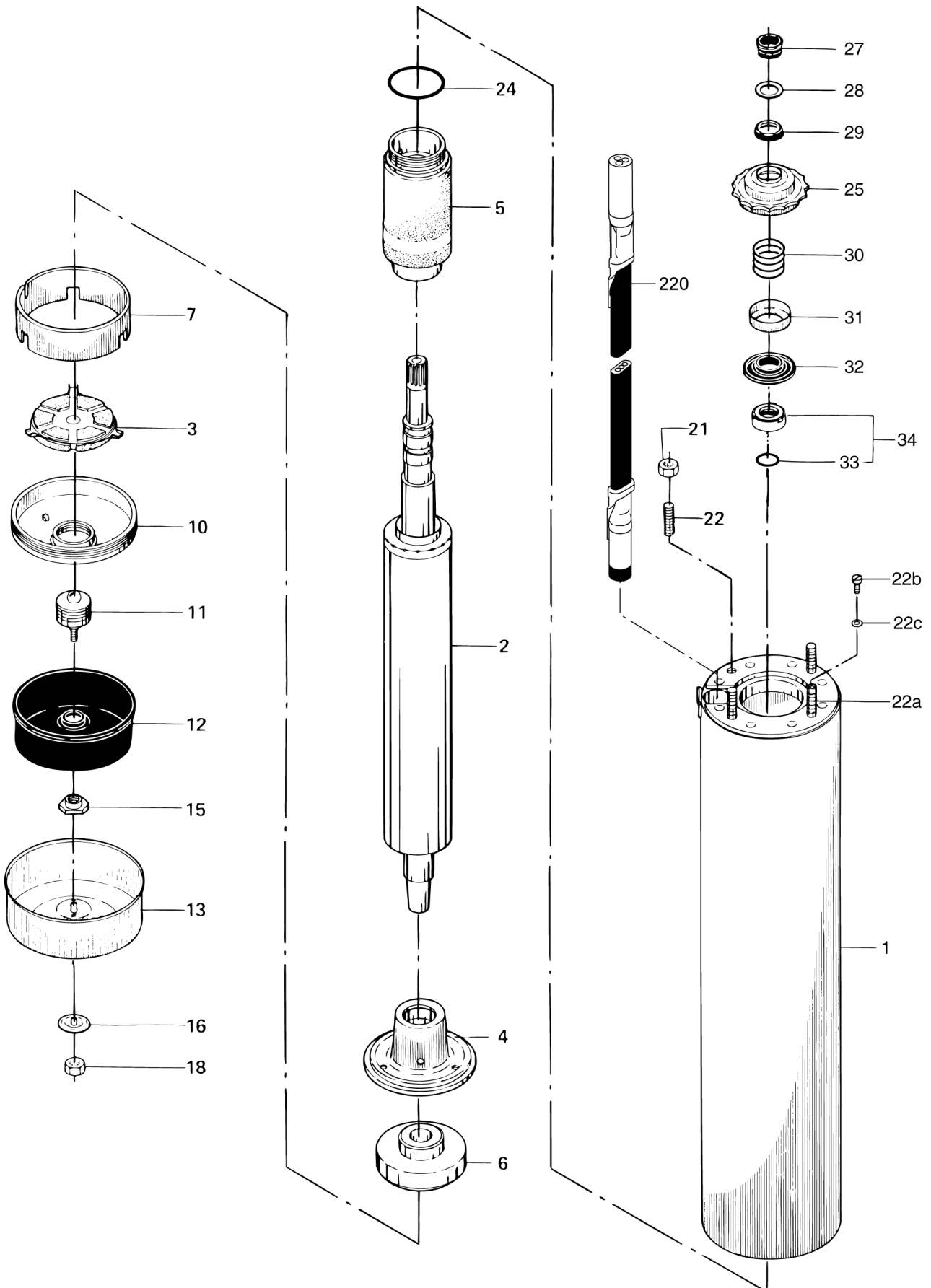
Product name: MS 4000

Amount: 1

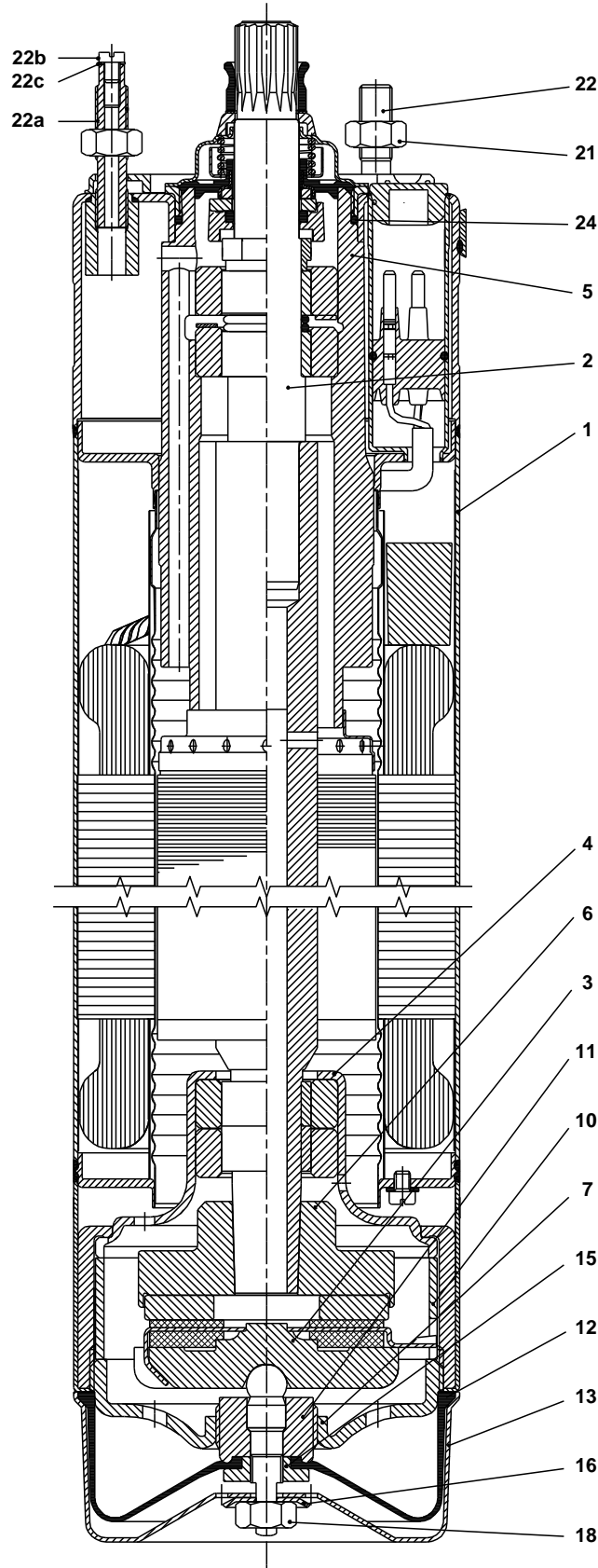
Product No: 96405805

Total: Price on request

Exploded view



Sectional drawing



Parts list MS 4000, Product No. 96405805

Valid from 18.4.1995 (9516)

Pos	Description	Annotation	Classification Data	Part no.	Qty.	Unit
-	Motor				1	pcs
1	Stator				1	
2	Shaft w/rotor				1	
3	Thrust ring support cpl.				1	
4	Radial bearing				1	
5	Bearing pipe				1	
6	Thrust bearing				1	
7	Lock ring				1	
10	Bearing retainer				1	
11	Adjusting screw				1	
12	Diaphragm				1	
13	End shield				1	
15	Nut				1	
16	Lock washer				1	
18	Hex nut		Thread: 5/16"		1	
21	Hex nut		Thread: 5/16"		4	
22	Staybolt				4	
22	Staybolt				4	
22b	Cheese head screw				1	
22c	O-ring		Diameter: 4		1	
			Material type: NBR			
			Thickness: 1			
24	O-ring		Diameter: 40		1	
			Material type: NBR			
			Thickness: 2			
25	Shaft seal housing				1	
27	Spline protector				1	
28	Support				1	
29	Sand shield				1	
30	Compression spring				1	
31	Supporting ring				1	
32	Sleeve				1	
34	Shaft seal cpl.				1	
20	Motor cable				1	pcs