

PROJECT: _____	UNIT TAG: _____	QUANTITY: _____
REPRESENTATIVE: _____	TYPE OF SERVICE: _____	DATE: _____
ENGINEER: _____	SUBMITTED BY: _____	DATE: _____
CONTRACTOR: _____	APPROVED BY: _____	DATE: _____
	ORDER NO.: _____	DATE: _____

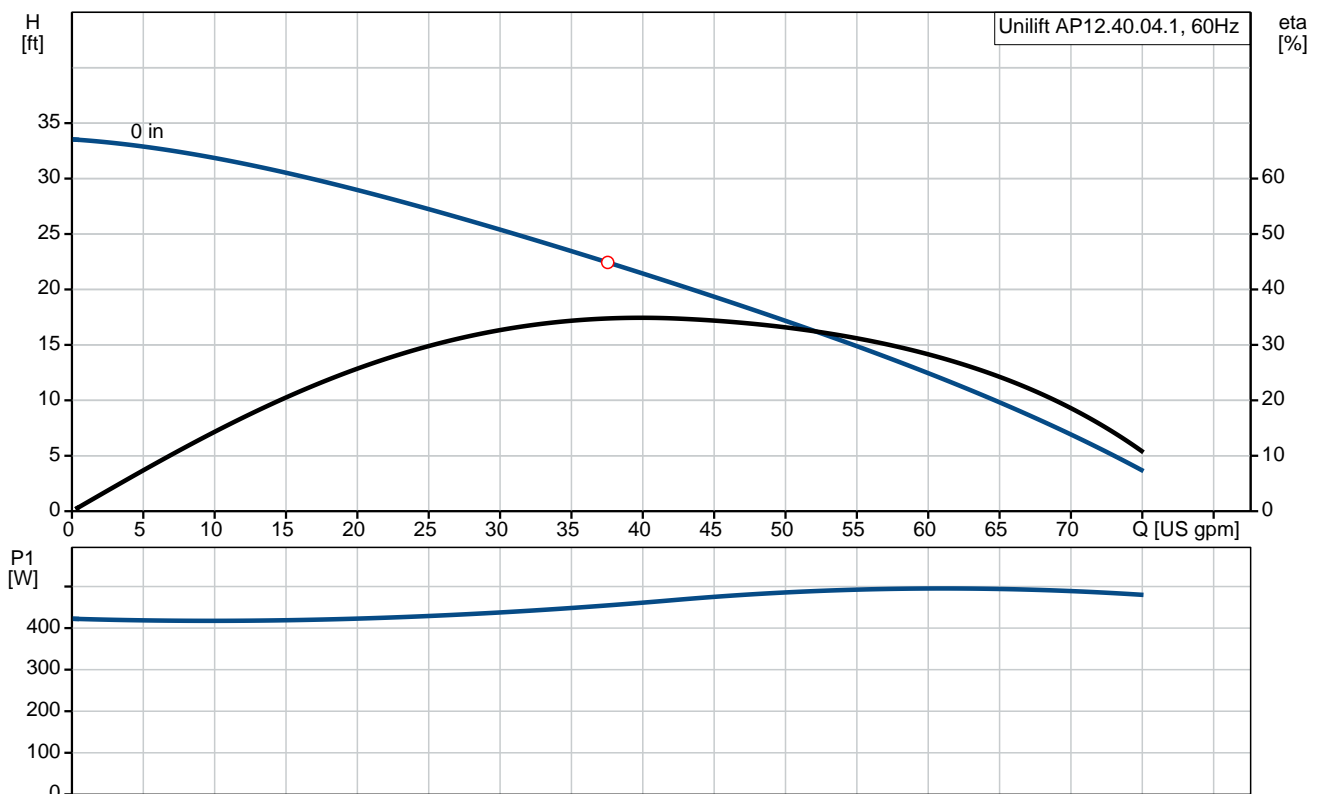


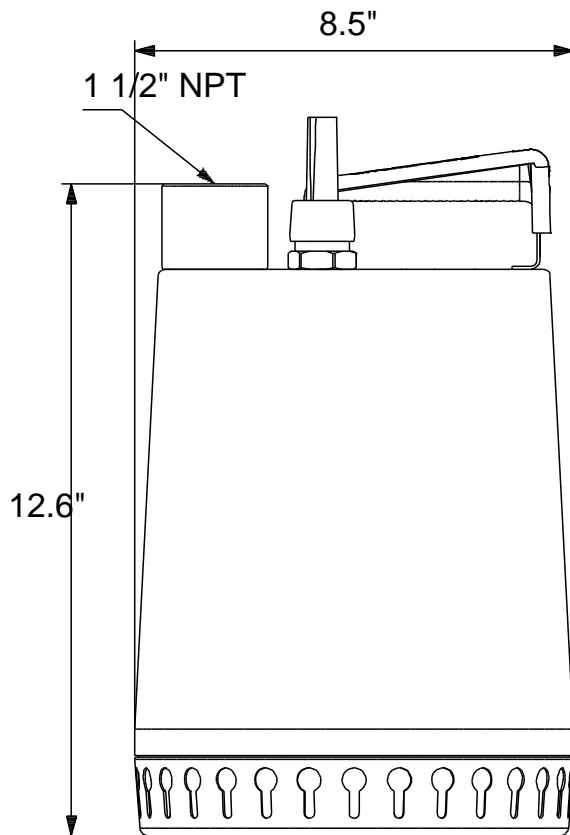
Unilift AP12.40.04.1

Drainage pumps

Product photo could vary from the actual product

Conditions of Service	Pump Data	Motor Data
Flow: _____	Liquid temperature range: 32 .. 131 °F	Enclosure class: IP68
Head: _____	Approvals: CSA	Insulation class: F
Efficiency: _____	Product number: 96011036	Motor protection: CONTACT
Liquid: any viscous fluid		Thermal protection: internal
Temperature: _____		
NPSH required: ft		
Viscosity: _____		
Specific Gravity: 1.000		





Materials:

Pump housing: Stainless steel
DIN W.-Nr. 1.4301
AISI 304

Impeller: Stainless steel
DIN W.-Nr. 1.4301
AISI 304

Tender Text



Product photo could vary from the actual product

Product No.: [96011036](#)

Unilift AP12.40.04.1

Submersible drainage pump type

Vertical single-stage stainless steel submersible pump with vertical discharge port and integrated submersible 1-phase totally enclosed motor

in insulation class F with thermal overload protection. The pump is fitted with a suction strainer.

The impeller is a Semi-open impeller for 7/16 in free passage suitable for pumping groundwater, surface water, rain water and similar liquids.

The pump has a double shaft seal and an intermediate oil chamber pre-filled with non-toxic special oil.

The pump has a riser pipe, a cooling jacket for continuous cooling of the motor by the pumped liquid and long-life deep-groove greased-for-life ball bearings.

The pump is ready for use as it is fitted with carrying handle and is supplied with a 25 ft mains cable. The mains cable is of the plug type with glass sealing compound in the socket to prevent penetration of humidity into the stator windings.

Liquid:

Pumped liquid: any viscous fluid
Liquid temperature range: 32 .. 131 °F
Density: 62.29 lb/ft³

Technical:

Type of impeller: Semi-open
Maximum particle size: 7/16 in
Approvals on nameplate: CSA

Materials:

Pump housing: Stainless steel
DIN W.-Nr. 1.4301
AISI 304
Impeller: Stainless steel
DIN W.-Nr. 1.4301



Company name:

Created by:

Phone:

Date:

2/22/2018

AISI 304

Installation:


Pump outlet: 1.5" NPT
Maximum installation depth: 25 ft

Electrical data:

Type of motor: PSC
Power input - P1: 0.92 W
0.7 kW
Phase: 1
Starting current: 24 A
Cos phi - power factor: 0,99
Rated speed: 3350 rpm
Capacitor size - run: 20 μ F/400 V
Enclosure class (IEC 34-5): IP68
Insulation class (IEC 85): F
Length of cable: 25 ft
Type of cable plug: US

Others:

Net weight: 22.7 lb
Gross weight: 24.3 lb
Shipping volume: 1.17 ft³

Position	Count	Description
	1	<p>Unilift AP12.40.04.1</p>  <p style="text-align: center;">Product photo could vary from the actual product</p> <p>Product No.: 96011036 Submersible drainage pump type</p> <p>Vertical single-stage stainless steel submersible pump with vertical discharge port and integrated submersible 1-phase totally enclosed motor in insulation class F with thermal overload protection. The pump is fitted with a suction strainer.</p> <p>The impeller is a Semi-open impeller for 7/16 in free passage suitable for pumping groundwater, surface water, rain water and similar liquids.</p> <p>The pump has a double shaft seal and an intermediate oil chamber pre-filled with non-toxic special oil.</p> <p>The pump has a riser pipe, a cooling jacket for continuous cooling of the motor by the pumped liquid and long-life deep-groove greased-for-life ball bearings.</p> <p>The pump is ready for use as it is fitted with carrying handle and is supplied with a 25 ft mains cable. The mains cable is of the plug type with glass sealing compound in the socket to prevent penetration of humidity into the stator windings.</p> <p>Liquid: Pumped liquid: any viscous fluid Liquid temperature range: 32 .. 131 °F Density: 62.29 lb/ft³</p> <p>Technical: Type of impeller: Semi-open Maximum particle size: 7/16 in Approvals on nameplate: CSA</p> <p>Materials: Pump housing: Stainless steel DIN W.-Nr. 1.4301 AISI 304 Impeller: Stainless steel DIN W.-Nr. 1.4301 AISI 304</p>



Company name:

Created by:

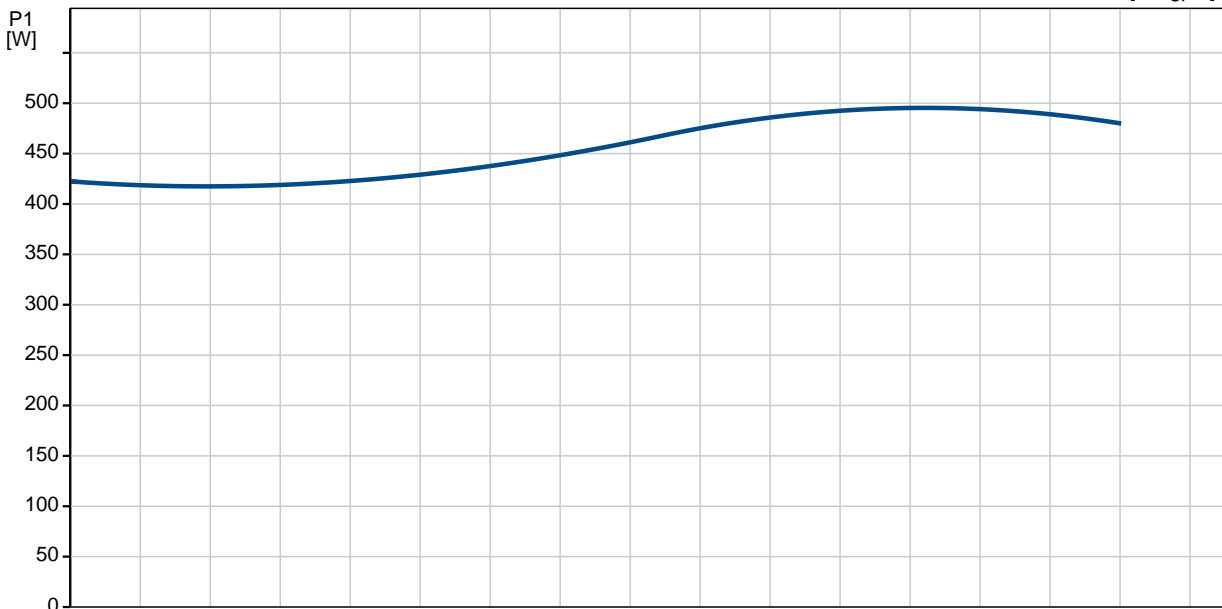
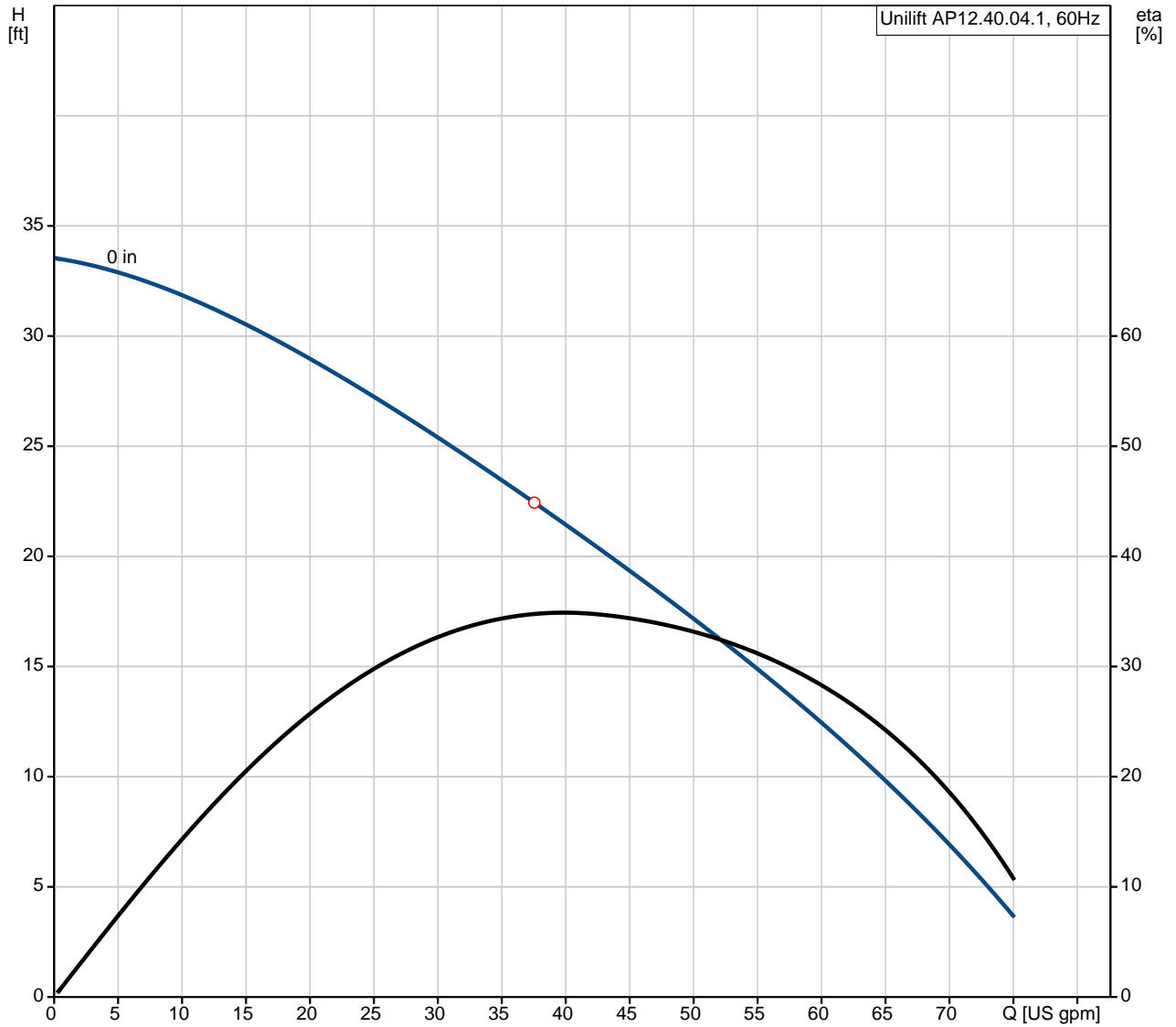
Phone:

Date:

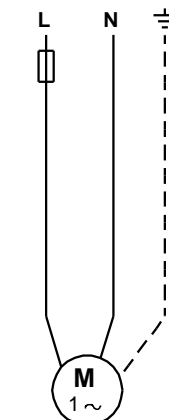
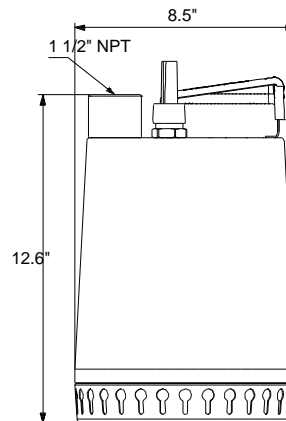
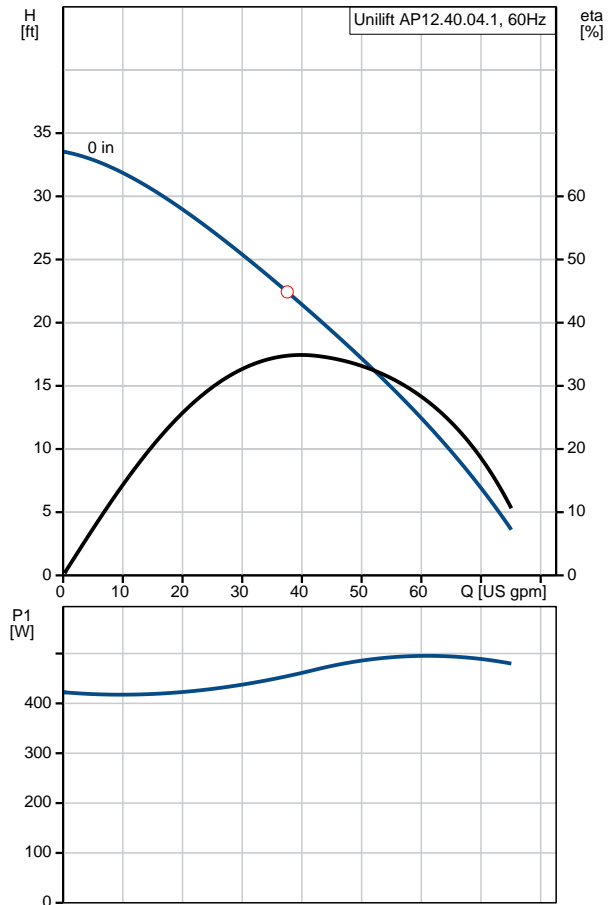
2/22/2018

Position	Count	Description
		Installation: Pump outlet: 1.5" NPT Maximum installation depth: 25 ft
		Electrical data: Type of motor: PSC Power input - P1: 0.92 W 0.7 kW Phase: 1 Starting current: 24 A Cos phi - power factor: 0,99 Rated speed: 3350 rpm Capacitor size - run: 20 µF/400 V Enclosure class (IEC 34-5): IP68 Insulation class (IEC 85): F Length of cable: 25 ft Type of cable plug: US
		Others: Net weight: 22.7 lb Gross weight: 24.3 lb Shipping volume: 1.17 ft ³

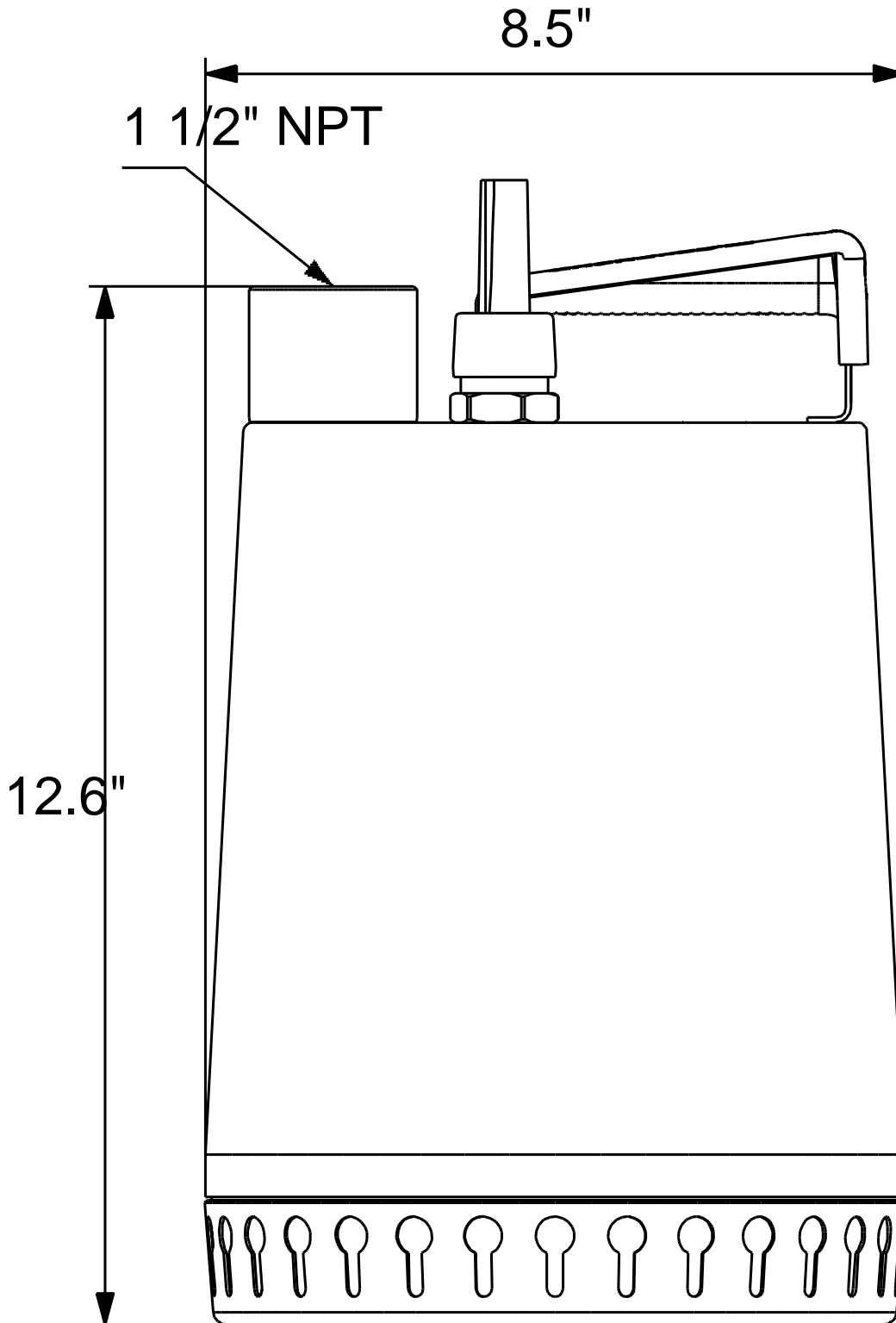
96011036 Unilift AP12.40.04.1 60 Hz



Description	Value
General information:	
Product name:	Unilift AP12.40.04.1
Product No.:	96011036
EAN:	5700390525927
Technical:	
Max flow:	61.6 US gpm
Head max:	32.81 ft
Type of impeller:	Semi-open
Maximum particle size:	7/16 in
Approvals on nameplate:	CSA
Materials:	
Pump housing:	Stainless steel DIN W.-Nr. 1.4301 AISI 304
Impeller:	Stainless steel DIN W.-Nr. 1.4301 AISI 304
Installation:	
Pump outlet:	1.5" NPT
Maximum installation depth:	25 ft
Inst dry/wet:	D/S
Installation:	horizontal or vertical
Liquid:	
Pumped liquid:	any viscous fluid
Liquid temperature range:	32 .. 131 °F
Density:	62.29 lb/ft ³
Electrical data:	
Type of motor:	PSC
Power input - P1:	0.92 W 0.7 kW
P2:	0.5 HP
Phase:	1
Starting current:	24 A
Cos phi - power factor:	0,99
Rated speed:	3350 rpm
Capacitor size - run:	20 µF/400 V
Enclosure class (IEC 34-5):	IP68
Insulation class (IEC 85):	F
Motor protection:	CONTACT
Thermal protec:	internal
Length of cable:	25 ft
Type of cable plug:	US
Others:	
Net weight:	22.7 lb
Gross weight:	24.3 lb
Shipping volume:	1.17 ft ³
Sales region:	Namreg

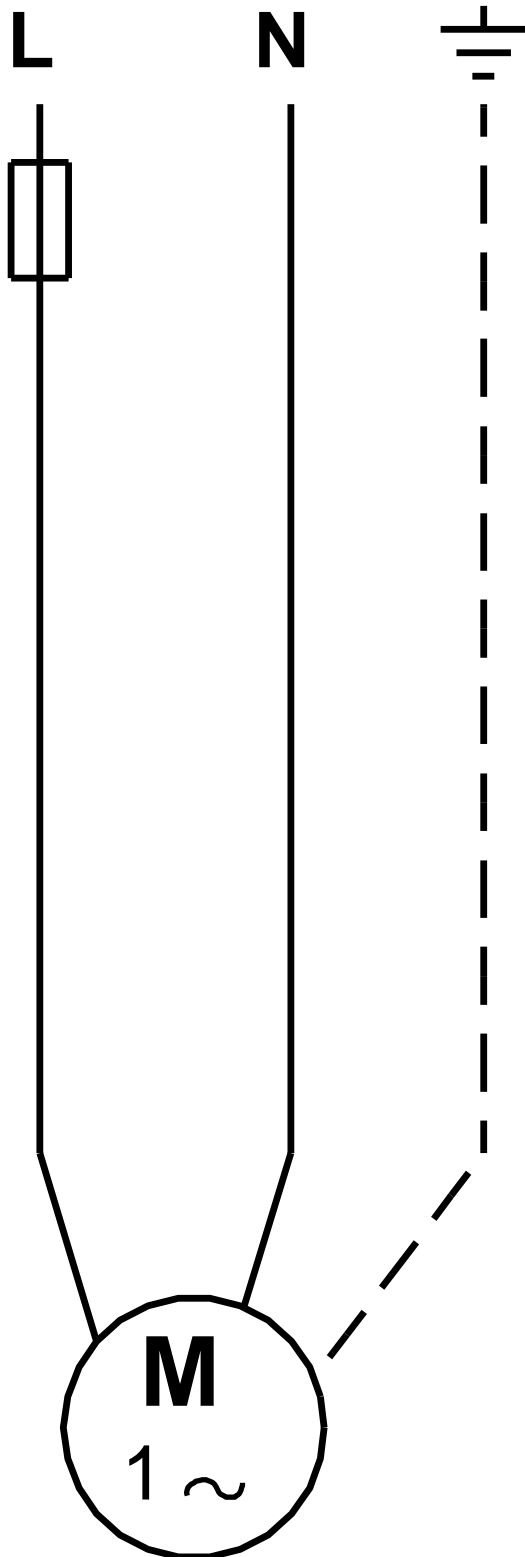


96011036 Unilift AP12.40.04.1 60 Hz



Note! All units are in [mm] unless otherwise stated.
Disclaimer: This simplified dimensional drawing does not show all details.

96011036 Unilift AP12.40.04.1 60 Hz



All units are [mm] unless otherwise presented.



Company name:

Created by:

Phone:

Date: 2/22/2018

Order Data:

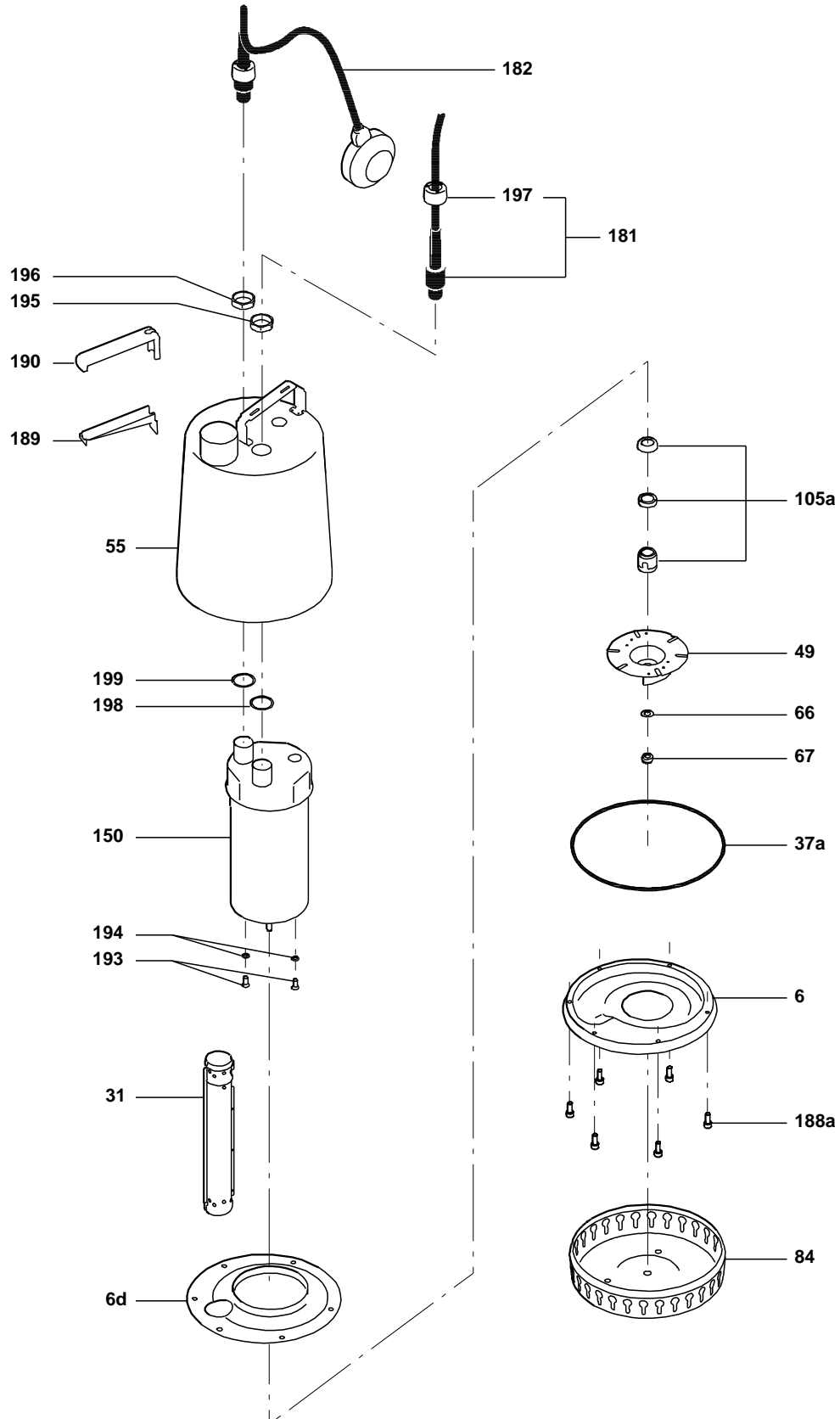
Product name: Unilift AP12.40.04.1

Amount: 1

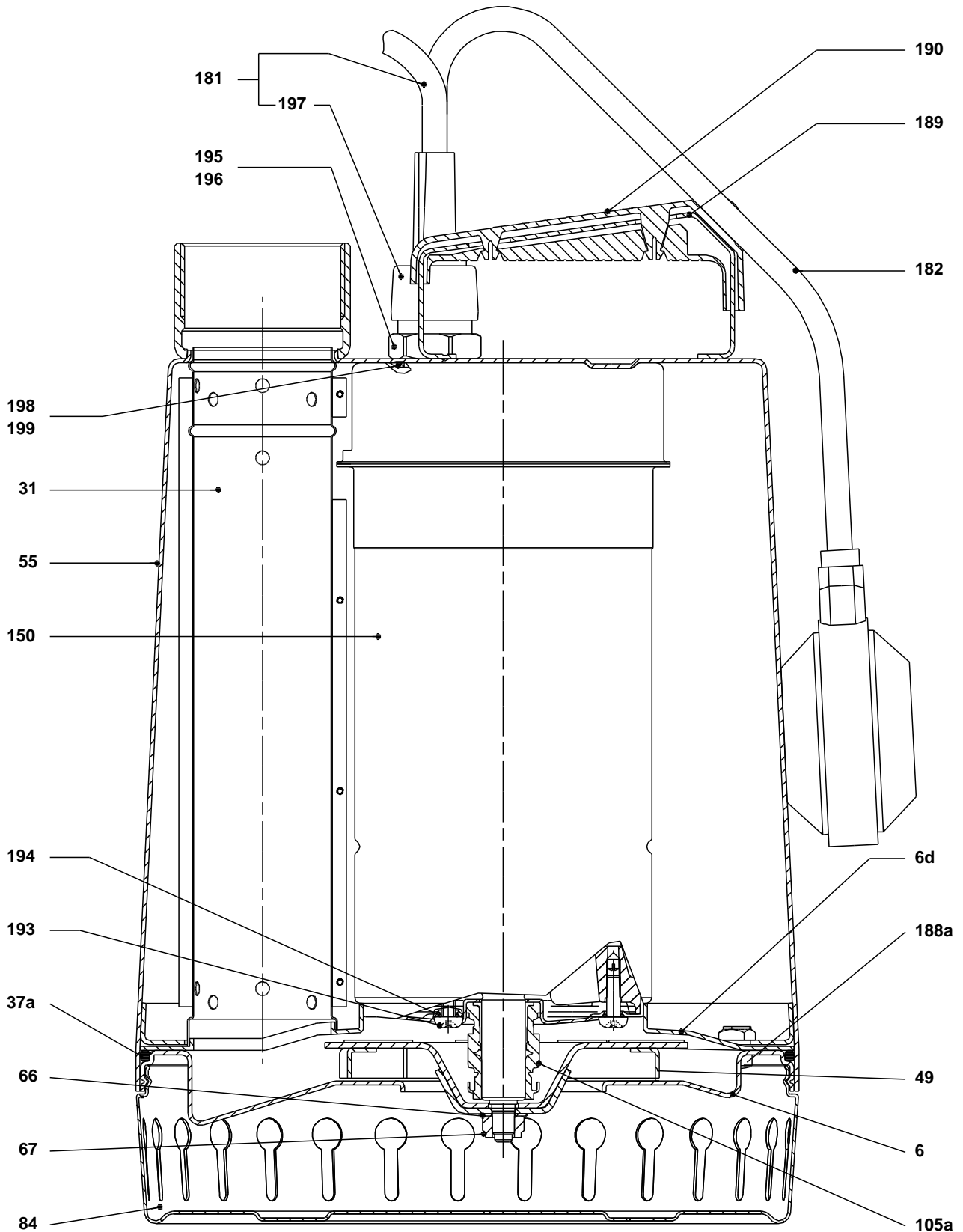
Product No.: 96011036

Total: Price on request

Exploded view (TM002214 3403)



Sectional drawing (TM029592 0605)



TM029592

Parts list Unilift AP12.40.04.1, Prod number 96011036

Valid from 14.12.1998 (9851)

Position	Description	Annotation	Classification data	Part No.	Count	Unit
-	Pump w/o cable				1	pcs
6	Pump housing				1	
6d	Upper pump housing				1	
31	Pipe				1	
37a	O-ring				1	
+ 49	Impeller				1	
55	Pump sleeve				1	
66	Spring lock washer		Designation: DIN 127 B		1	
67	Nut				1	
84	Strainer				1	
105a	Shaft seal		Material type: BQQP		1	
+ 150	Motor unit		Winding resistance, main (ohm, 68°F): 1,30-1,70		1	
188a	Hex socket head cap screw		Designation: DIN 912		6	
			Length: 12			
			Thread: M6			
190	Handle				1	
190	Handle				1	
- 193	Screw w/O-ring				2	
193	Pan washer head screw					
194	O-ring		Diameter: 4,9			
			Material type: NBR70			
			Thickness: 1,9			
193a	Oil				0	
195	Nut		Thread: M27X1,5		1	
197	Union				1	
198	O-ring		Diameter: 27		1	
			Material type: NBR			
			Thickness: 2,5			
- 181	Motor cable		Type: 3AWG16		1	pcs
	Cable				1	
197	Union				1	