

PROJECT: _____	UNIT TAG: _____	QUANTITY: _____
REPRESENTATIVE: _____	TYPE OF SERVICE: _____	DATE: _____
ENGINEER: _____	SUBMITTED BY: _____	DATE: _____
CONTRACTOR: _____	APPROVED BY: _____	DATE: _____
	ORDER NO.: _____	DATE: _____

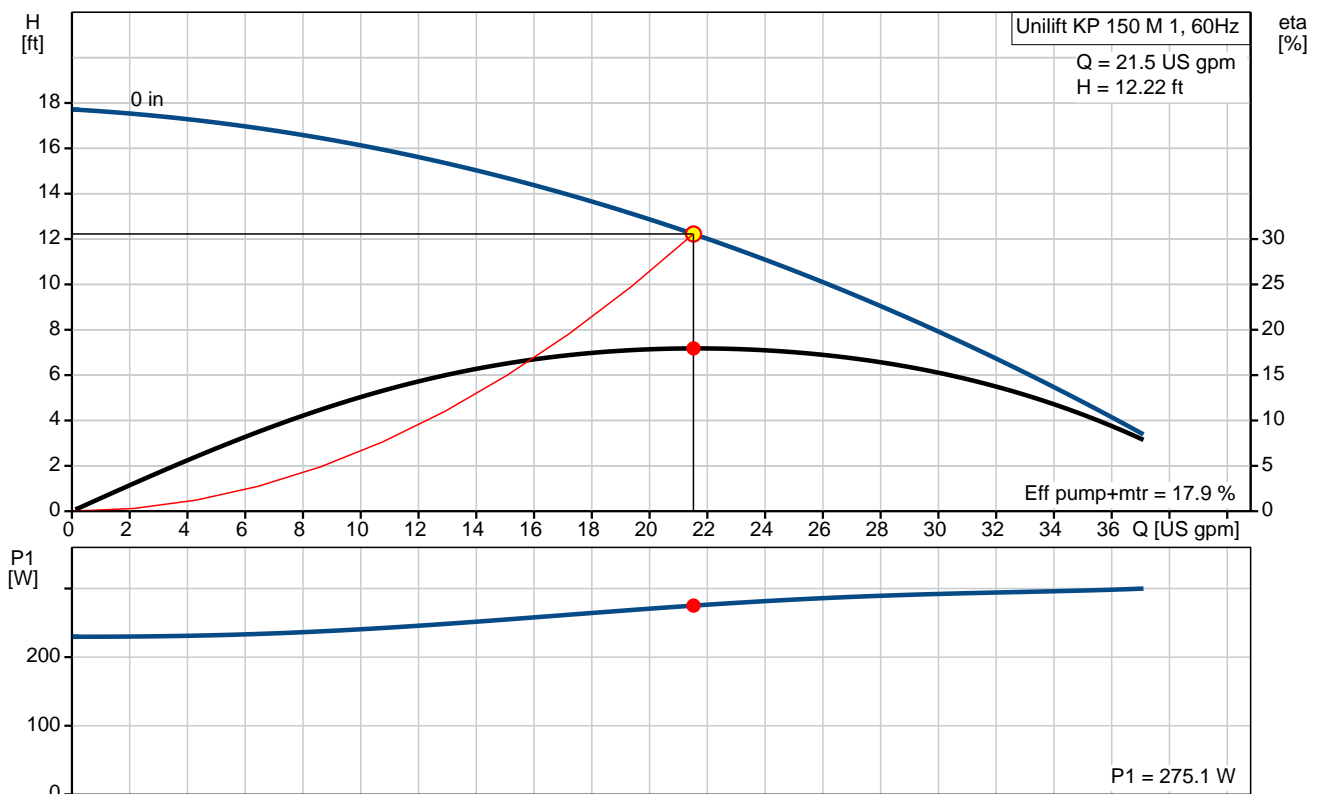
## Unilift KP 150 M 1

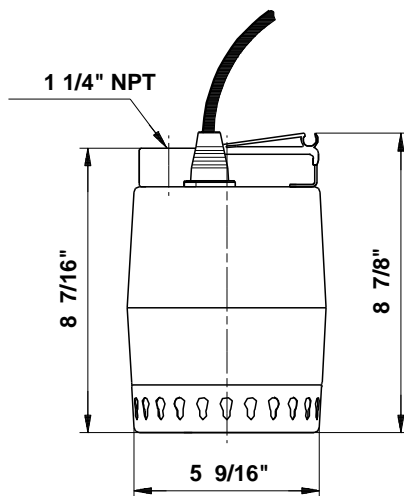
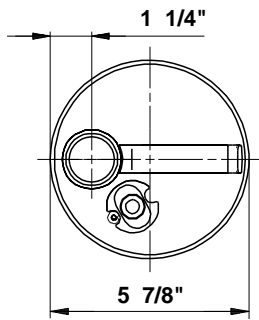
Domestic drainage pumps in stainless steel for solids up to 0.39" (10 mm).



Product photo could vary from the actual product

Conditions of Service		Pump Data		Motor Data	
Flow:	21.5 US gpm	Liquid temperature range:	32 .. 122 °F	Rated voltage:	115 V
Head:	12.22 ft	Approvals:	UL Listed, CSA	Main frequency:	60 Hz
Efficiency:	17.9 %	Product number:	011DC001	Enclosure class:	IP68
Liquid:	any viscous fluid			Insulation class:	F
Temperature:	_____			Motor protection:	CONTACT
NPSH required:	ft			Thermal protection:	internal
Viscosity:	_____				
Specific Gravity:	1.000				





**Materials:**

Pump housing: Stainless steel  
DIN W.-Nr. 1.4301  
AISI 304

Impeller: Stainless steel  
DIN W.-Nr. 1.4301  
AISI 304

## Tender Text



Product photo could vary from the actual product

Product No.: [011DC001](#)

### Unilift KP 150 M 1

Submersible drainage pump

Vertical single-stage stainless steel submersible pump with vertical discharge port and integrated submersible 1-phase canned motor in insulation class F with thermal overload protection.

The pump is fitted with a suction strainer, a carrying handle and is supplied with a 9.843 ft mains cable.

The impeller is a semi-open impeller for 3/8" free passage suitable for pumping groundwater, surface water, rain water and similar liquids.

The pump has a double shaft seal consisting of two lip seals with grease in-between.

The pump has an outer casing ensuring continuous cooling of the motor by the pumped liquid. The rotor shaft operates in two maintenance-free carbon bearings cooled by the pumped liquid.

The motor is filled with a non-toxic motor liquid.

#### Liquid:

Pumped liquid: any viscous fluid  
Liquid temperature range: 32 .. 122 °F  
Density: 62.29 lb/ft<sup>3</sup>

#### Technical:

Actual calculated flow: 21.5 US gpm  
Resulting head of the pump: 12.22 ft  
Type of impeller: Semi-open  
Maximum particle size: 3/8 in  
Approvals on nameplate: UL Listed, CSA

#### Materials:

Pump housing: Stainless steel  
DIN W.-Nr. 1.4301  
AISI 304  
Impeller: Stainless steel  
DIN W.-Nr. 1.4301  
AISI 304

#### Installation:

Pump outlet: 1 1/4" NPT



Company name:

Created by:

Phone:

Date: 2/22/2018


Maximum installation depth: 9.843 ft

**Electrical data:**

Power input - P1: 300 W  
Main frequency: 60 Hz  
Rated voltage: 1 x 115 V  
Rated current: 2.9 A  
Starting current: 8.7 A  
Capacitor size - run: 20  $\mu$ F/250 V  
Enclosure class (IEC 34-5): IP68  
Insulation class (IEC 85): F  
Length of cable: 9.843 ft  
Type of cable plug: US

**Others:**

Shipping volume: 0.44 ft<sup>3</sup>

Position	Count	Description
	1	<p><b>Unilift KP 150 M 1</b></p>  <p style="text-align: center;">Product photo could vary from the actual product</p> <p>Product No.: <a href="#">011DC001</a> Submersible drainage pump</p> <p>Vertical single-stage stainless steel submersible pump with vertical discharge port and integrated submersible 1-phase canned motor in insulation class F with thermal overload protection.</p> <p>The pump is fitted with a suction strainer, a carrying handle and is supplied with a 9.843 ft mains cable.</p> <p>The impeller is a semi-open impeller for 3/8" free passage suitable for pumping groundwater, surface water, rain water and similar liquids.</p> <p>The pump has a double shaft seal consisting of two lip seals with grease in-between.</p> <p>The pump has an outer casing ensuring continuous cooling of the motor by the pumped liquid. The rotor shaft operates in two maintenance-free carbon bearings cooled by the pumped liquid.</p> <p>The motor is filled with a non-toxic motor liquid.</p> <p><b>Liquid:</b>            Pumped liquid: any viscous fluid            Liquid temperature range: 32 .. 122 °F            Density: 62.29 lb/ft<sup>3</sup></p> <p><b>Technical:</b>            Actual calculated flow: 21.5 US gpm            Resulting head of the pump: 12.22 ft            Type of impeller: Semi-open            Maximum particle size: 3/8 in            Approvals on nameplate: UL Listed, CSA</p> <p><b>Materials:</b>            Pump housing: Stainless steel                              DIN W.-Nr. 1.4301                              AISI 304            Impeller: Stainless steel                              DIN W.-Nr. 1.4301                              AISI 304</p> <p><b>Installation:</b>            Pump outlet: 1 1/4" NPT            Maximum installation depth: 9.843 ft</p>



Company name:

Created by:

Phone:

Date:

2/22/2018

Position	Count	Description
		<b>Electrical data:</b> Power input - P1: 300 W Main frequency: 60 Hz Rated voltage: 1 x 115 V Rated current: 2.9 A Starting current: 8.7 A Capacitor size - run: 20 $\mu$ F/250 V Enclosure class (IEC 34-5): IP68 Insulation class (IEC 85): F Length of cable: 9.843 ft Type of cable plug: US  <b>Others:</b> Shipping volume: 0.44 ft <sup>3</sup>



Company name:

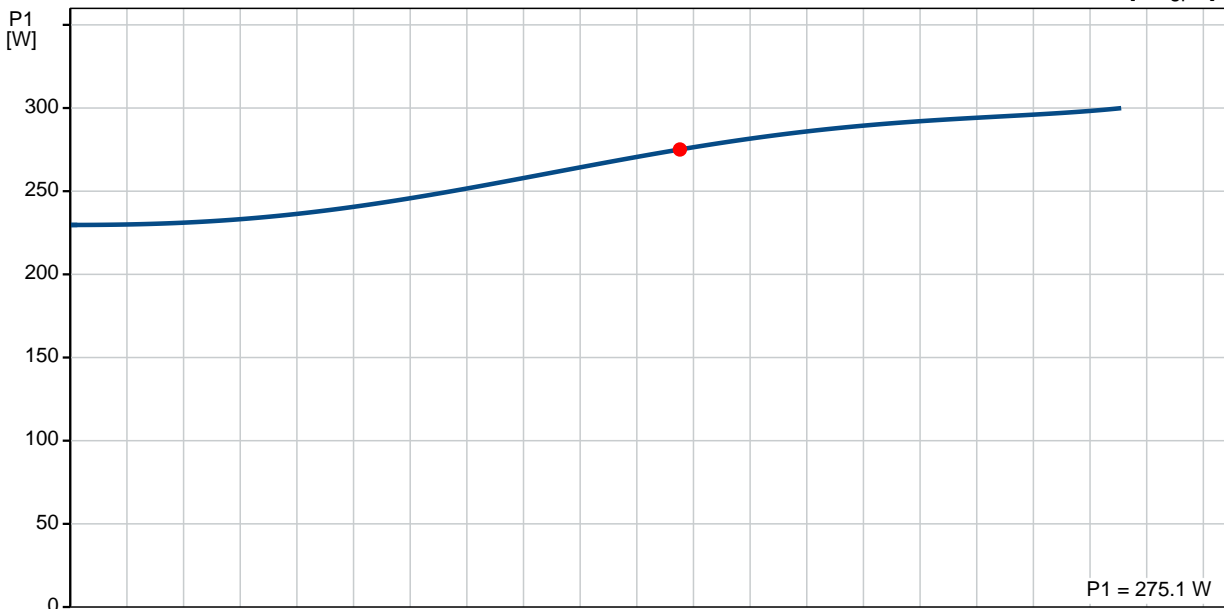
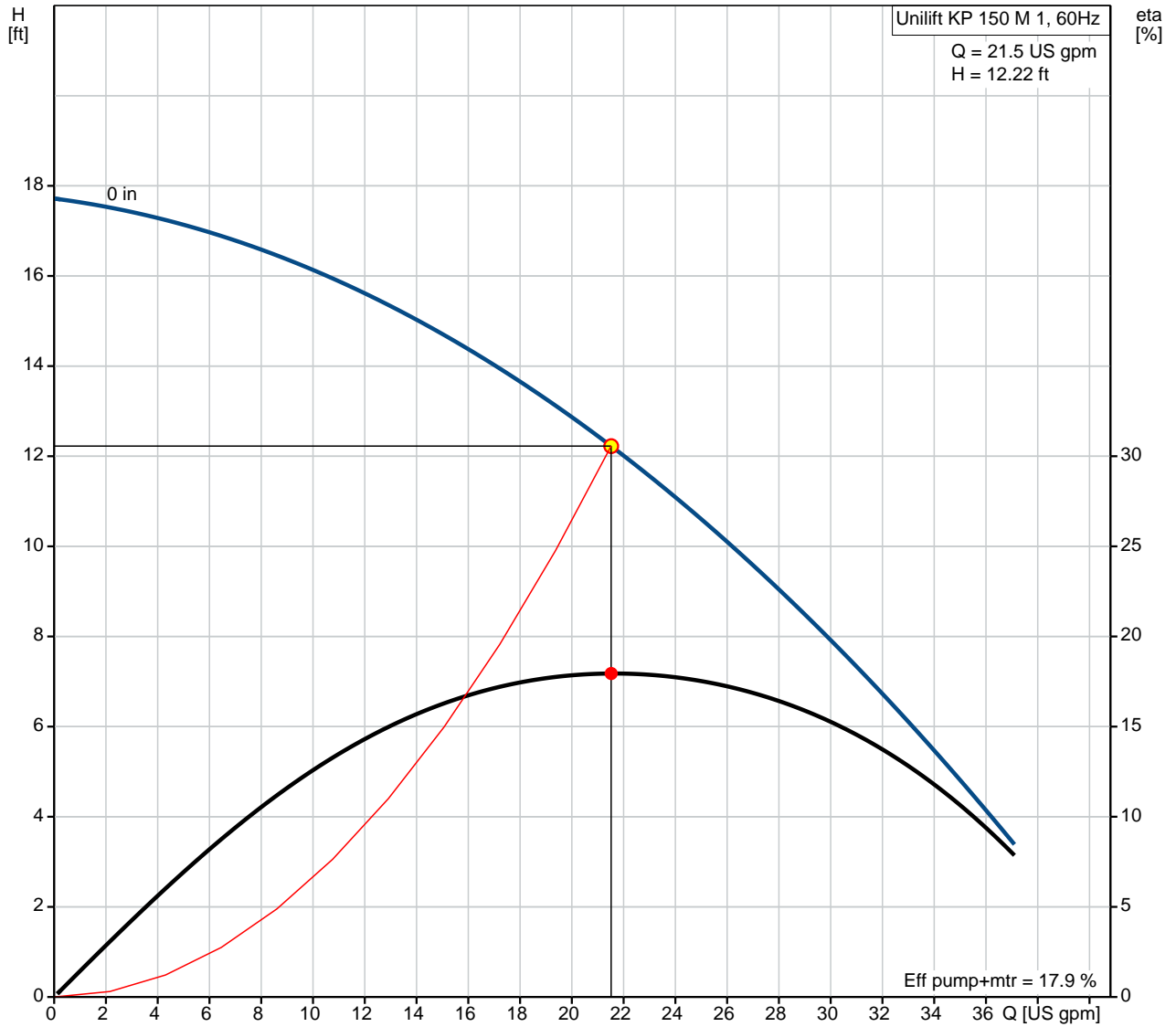
Created by:

Phone:

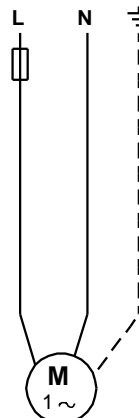
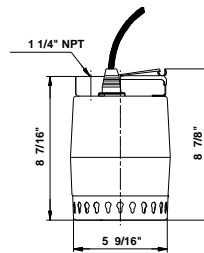
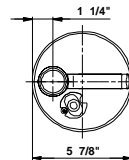
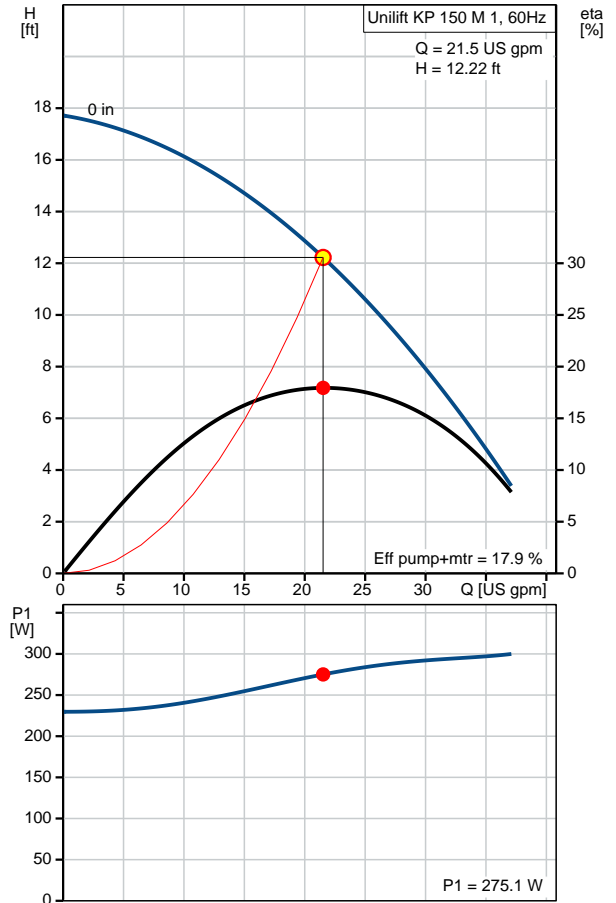
Date:

2/22/2018

# 011DC001 Unilift KP 150 M 1 60 Hz

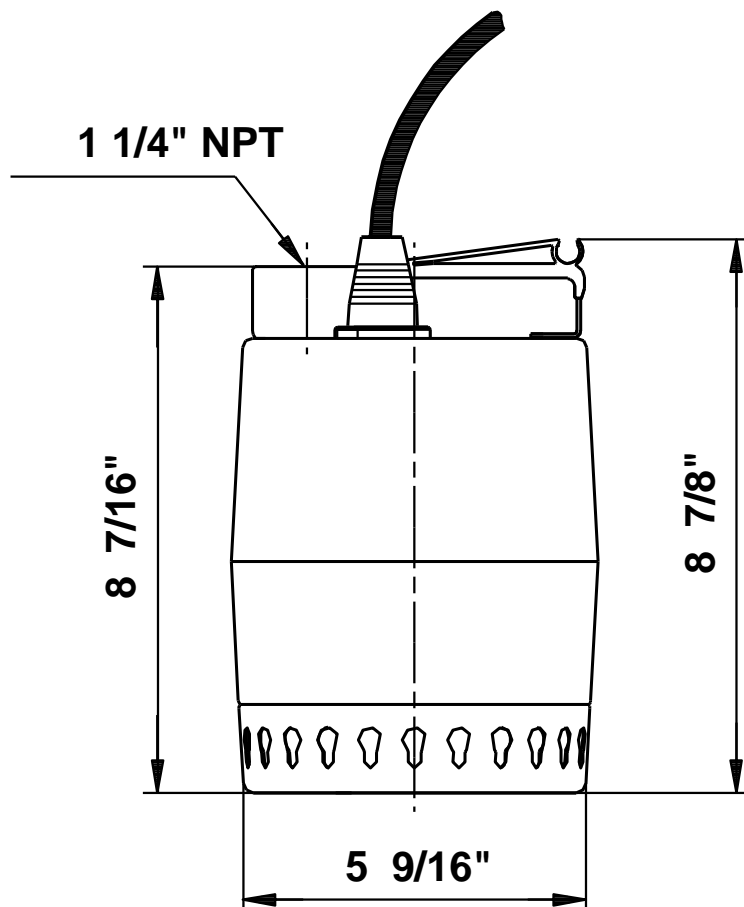
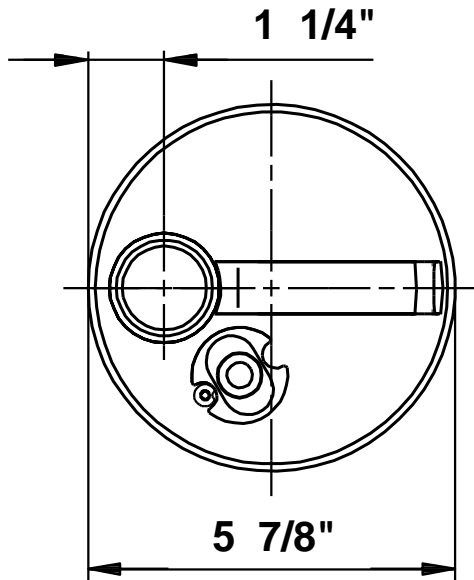


Description	Value
<b>General information:</b>	
Product name:	Unilift KP 150 M 1
Product No.:	011DC001
EAN:	5700391115226
<b>Technical:</b>	
Actual calculated flow:	21.5 US gpm
Max flow:	37.4 US gpm
Resulting head of the pump:	12.22 ft
Head max:	17.72 ft
Type of impeller:	Semi-open
Maximum particle size:	3/8 in
Approvals on nameplate:	UL Listed, CSA
<b>Materials:</b>	
Pump housing:	Stainless steel DIN W.-Nr. 1.4301 AISI 304
Impeller:	Stainless steel DIN W.-Nr. 1.4301 AISI 304
<b>Installation:</b>	
Pump outlet:	1 1/4" NPT
Maximum installation depth:	9.843 ft
Inst dry/wet:	D/S
Installation:	horizontal or vertical
<b>Liquid:</b>	
Pumped liquid:	any viscous fluid
Liquid temperature range:	32 .. 122 °F
Density:	62.29 lb/ft³
<b>Electrical data:</b>	
Power input - P1:	300 W
Main frequency:	60 Hz
Rated voltage:	1 x 115 V
Rated current:	2.9 A
Starting current:	8.7 A
Capacitor size - run:	20 µF/250 V
Enclosure class (IEC 34-5):	IP68
Insulation class (IEC 85):	F
Motor protection:	CONTACT
Thermal protec:	internal
Length of cable:	9.843 ft
Type of cable plug:	US
<b>Others:</b>	
Shipping volume:	0.44 ft³
Sales region:	Namreg



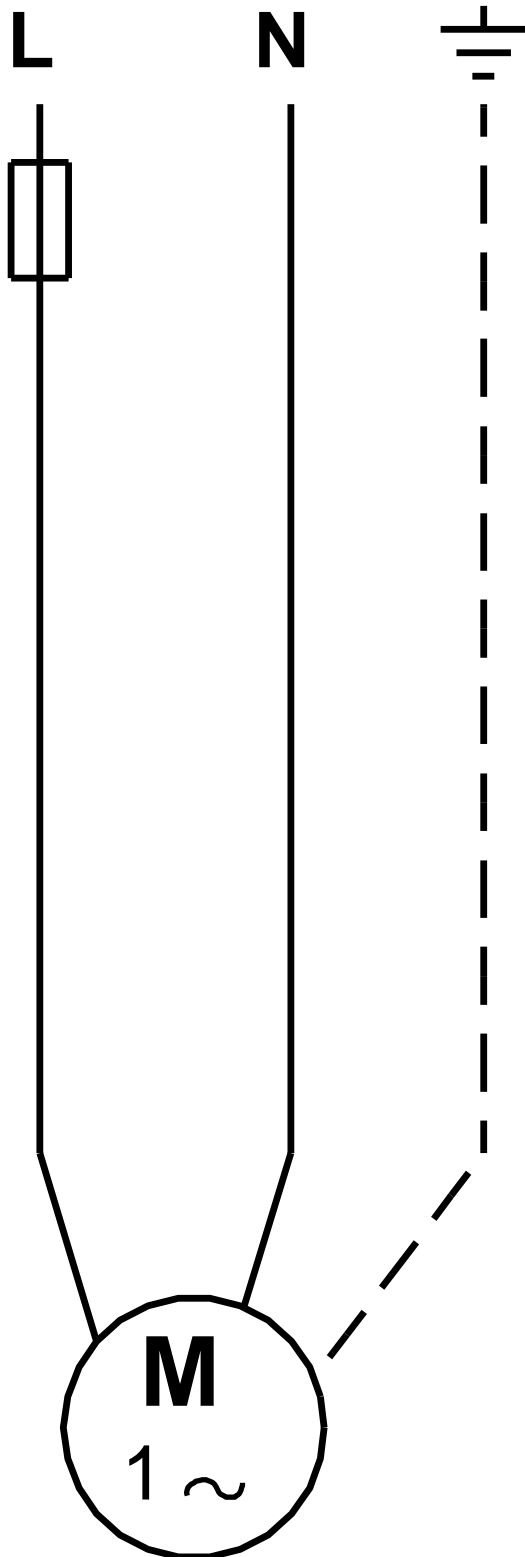


**011DC001 Unilift KP 150 M 1 60 Hz**



Note! All units are in [mm] unless otherwise stated.  
Disclaimer: This simplified dimensional drawing does not show all details.

**011DC001 Unilift KP 150 M 1 60 Hz**



All units are [mm] unless otherwise presented.



Company name:

Created by:

Phone:

Date: 2/22/2018

---

**Order Data:**

Product name: Unilift KP 150 M 1

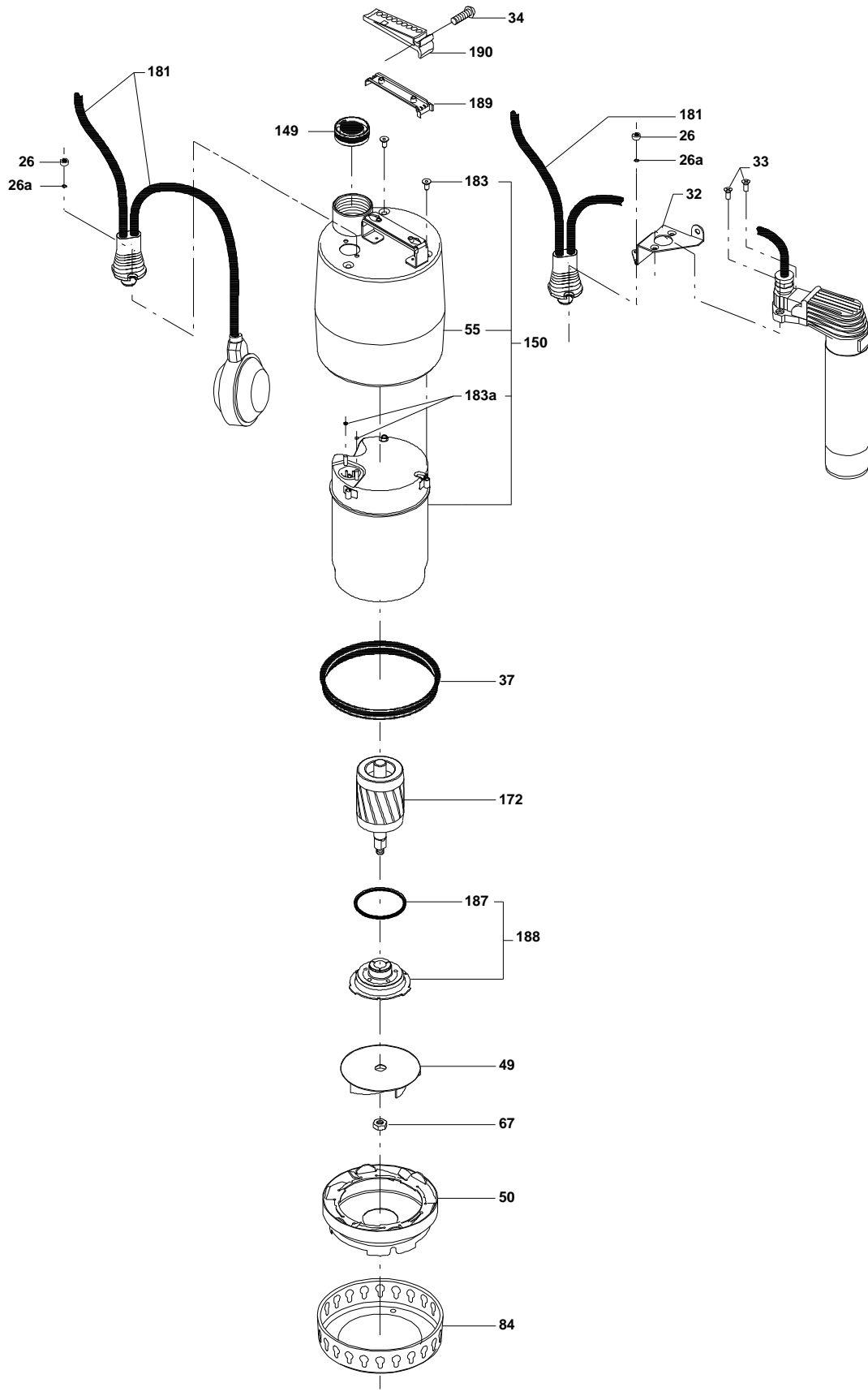
Amount: 1

Product No.: 011DC001

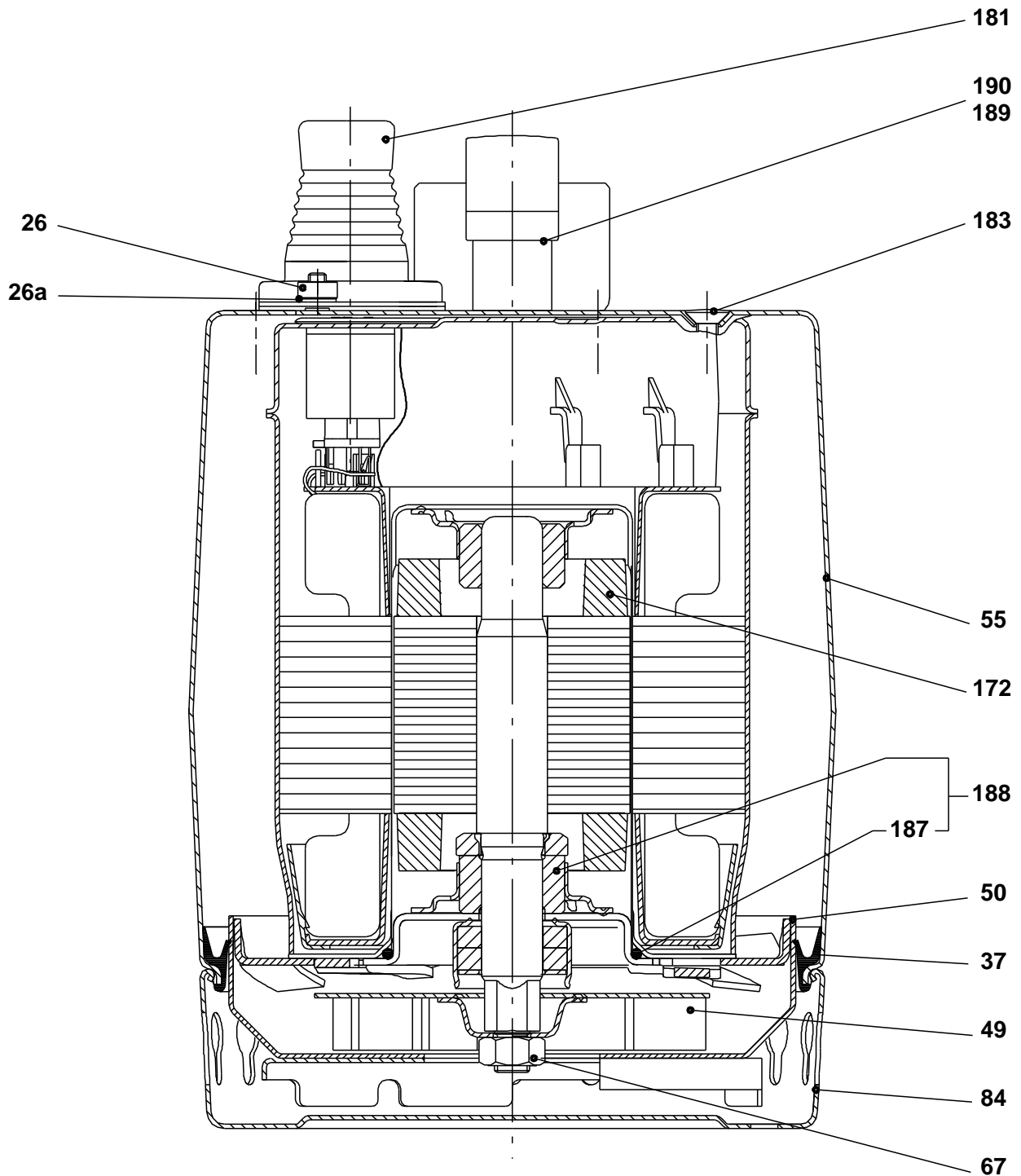
Total: Price on request

---

## Exploded view (tm001639 2499)

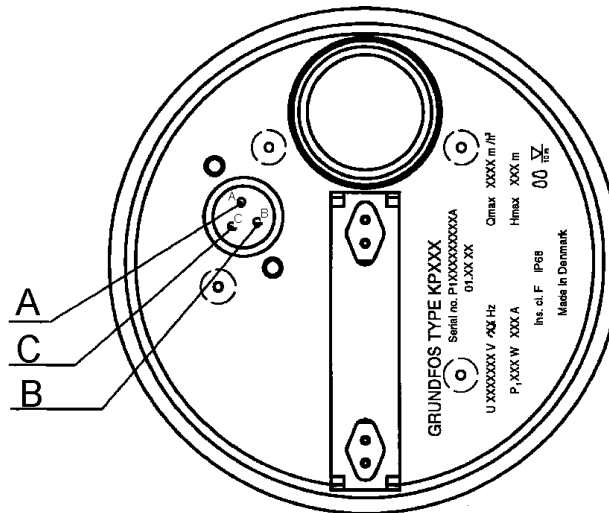
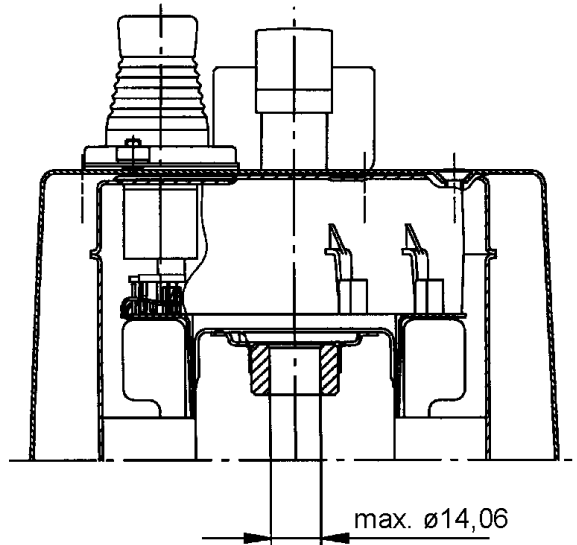


Sectional drawing (tm001747 2999)



TM001747

(tm013473 2999)



**Main**

- = Hovedvikling
- = Main winding
- = Hauptwicklung
- = Enroulement principal
- = Arrollamiento principal

**Aux**

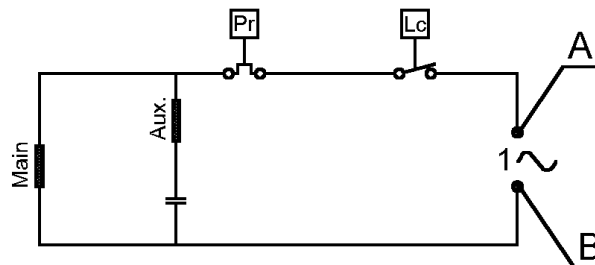
- = Hjælpevikling
- = Auxiliary winding
- = Hilfswicklung
- = Enroulement auxiliaire
- = Arrollamiento auxiliar

**Lc**

- = Niveaubydler
- = Level switch
- = Schwimmerschalter
- = Interrupteur à flotteur
- = Interruptor de nivel

**Pr**

- = Beskyttelsesanordning
- = Protector
- = Schutzeinrichtung
- = Dispositif de protection
- = Dispositivo de protección



TM013473

**Parts list Unilift KP 150 M 1, Prod number 011DC001**  
**Valid from 19.3.1993 (9312)**

Position	Description	Annotation	Classification data	Part No.	Count	Unit
	Motor liquid				0	L
	Motor liquid				1	L
26	Nut		Thread: M4		2	pcs
26a	Washer		Designation: DIN 6798 A		2	pcs
			Inner diameter: 4,3			
			Outer diameter: 8			
			Thickness: 0,5			
37	Sealing part				1	pcs
+ 49	Impeller cpl.				1	pcs
50	Pump housing cpl.				1	pcs
67	Nut		Thread: M8		1	pcs
84	Strainer				1	pcs
+ 150	Stator w/housing cpl.		Thread: 5/4" RP		1	pcs
			Winding resistance (ohm, 68°F): 5,1			
+ 172	Shaft w/rotor cpl.				1	pcs
+ 181	Cable cpl.				1	pcs
+ 188	Bearing cpl.				1	pcs
189	Lower handle				1	pcs
190	Upper handle				1	pcs