

PROJECT: _____	UNIT TAG: _____	QUANTITY: _____
REPRESENTATIVE: _____	TYPE OF SERVICE: _____	DATE: _____
ENGINEER: _____	SUBMITTED BY: _____	DATE: _____
CONTRACTOR: _____	APPROVED BY: _____	DATE: _____
	ORDER NO.: _____	DATE: _____

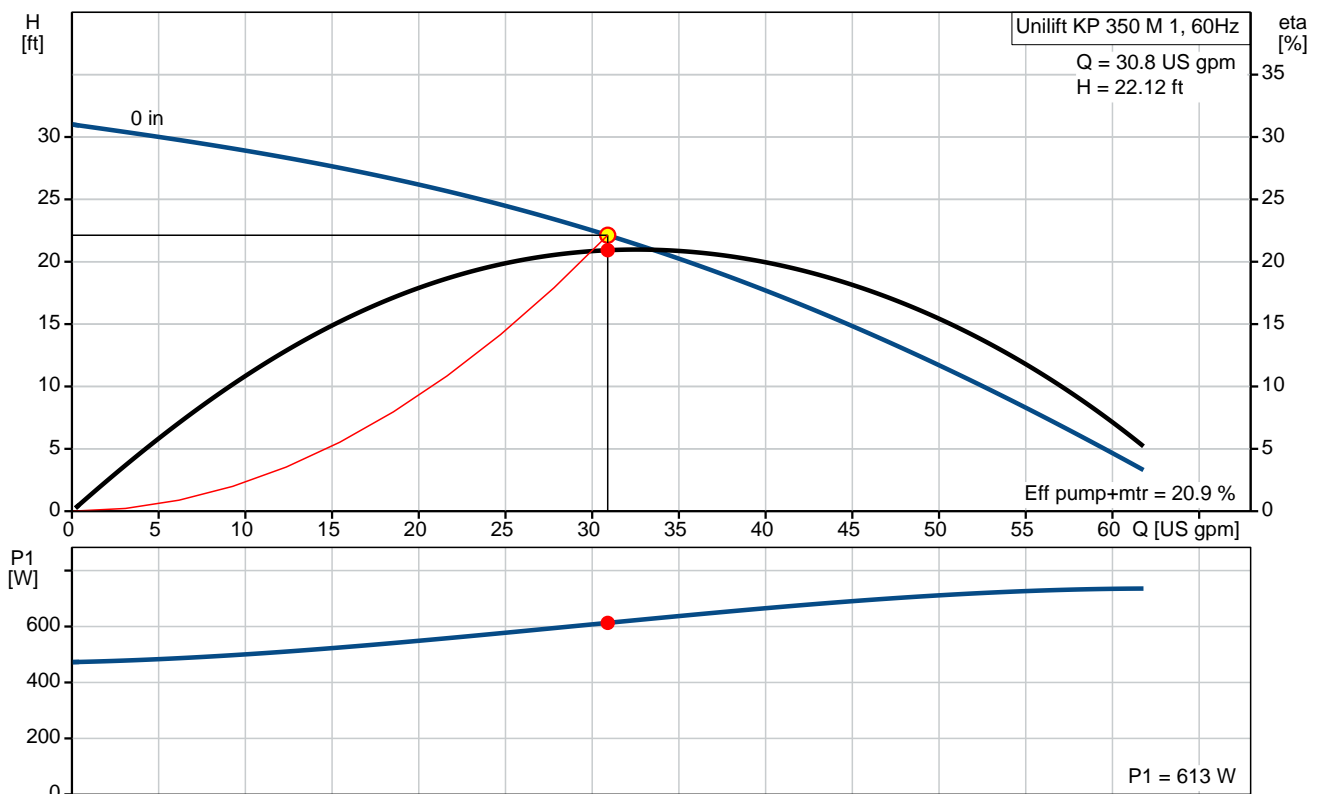
Unilift KP 350 M 1

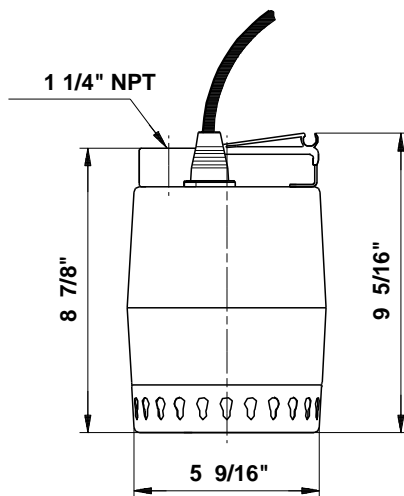
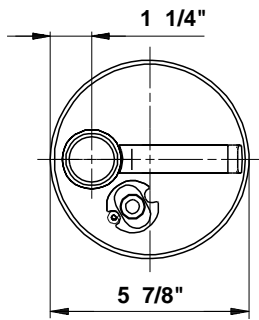


Domestic drainage pumps in stainless steel for solids up to 0.39" (10 mm).

Product photo could vary from the actual product

Conditions of Service		Pump Data		Motor Data	
Flow:	30.8 US gpm	Liquid temperature range:	32 .. 113 °F	Rated voltage:	115 V
Head:	22.12 ft	Approvals:	UL Listed, CSA	Main frequency:	60 Hz
Efficiency:	20.9 %	Product number:	013DC201	Enclosure class:	IP68
Liquid:	any viscous fluid			Insulation class:	F
Temperature:	_____			Motor protection:	CONTACT
NPSH required:	ft			Thermal protection:	internal
Viscosity:	_____				
Specific Gravity:	1.000				





Materials:

Pump housing: Stainless steel
DIN W.-Nr. 1.4301
AISI 304

Impeller: Stainless steel
DIN W.-Nr. 1.4301
AISI 304

Tender Text



Product photo could vary from the actual product

Product No.: [013DC201](#)

Unilift KP 350 M 1

Submersible drainage pump

Vertical single-stage stainless steel submersible pump with vertical discharge port and integrated submersible 1-phase canned motor in insulation class F with thermal overload protection.

The pump is fitted with a suction strainer, a carrying handle and is supplied with a 25 ft mains cable.

The impeller is a semi-open impeller for 3/8" free passage suitable for pumping groundwater, surface water, rain water and similar liquids.

The pump has a double shaft seal consisting of two lip seals with grease in-between.

The pump has an outer casing ensuring continuous cooling of the motor by the pumped liquid. The rotor shaft operates in two maintenance-free carbon bearings cooled by the pumped liquid.

The motor is filled with a non-toxic motor liquid.

Liquid:

Pumped liquid: any viscous fluid
Liquid temperature range: 32 .. 113 °F
Density: 62.29 lb/ft³

Technical:

Actual calculated flow: 30.8 US gpm
Resulting head of the pump: 22.12 ft
Type of impeller: Semi-open
Maximum particle size: 3/8 in
Approvals on nameplate: UL Listed, CSA

Materials:

Pump housing: Stainless steel
DIN W.-Nr. 1.4301
AISI 304
Impeller: Stainless steel
DIN W.-Nr. 1.4301
AISI 304

Installation:

Pump outlet: 1 1/4" NPT



Company name:

Created by:

Phone:

Date:

2/22/2018


Maximum installation depth: 24.94 ft

Electrical data:

Power input - P1: 850 W
Main frequency: 60 Hz
Rated voltage: 1 x 115 V
Rated current: 7.5 A
Starting current: 21.4 A
Capacitor size - run: 20 μ F/250 V
Enclosure class (IEC 34-5): IP68
Insulation class (IEC 85): F
Length of cable: 25 ft
Type of cable plug: US

Others:

Shipping volume: 0.44 ft³

Position	Count	Description
	1	<p>Unilift KP 350 M 1</p>  <p style="text-align: center;">Product photo could vary from the actual product</p> <p>Product No.: 013DC201 Submersible drainage pump</p> <p>Vertical single-stage stainless steel submersible pump with vertical discharge port and integrated submersible 1-phase canned motor in insulation class F with thermal overload protection.</p> <p>The pump is fitted with a suction strainer, a carrying handle and is supplied with a 25 ft mains cable.</p> <p>The impeller is a semi-open impeller for 3/8" free passage suitable for pumping groundwater, surface water, rain water and similar liquids.</p> <p>The pump has a double shaft seal consisting of two lip seals with grease in-between.</p> <p>The pump has an outer casing ensuring continuous cooling of the motor by the pumped liquid. The rotor shaft operates in two maintenance-free carbon bearings cooled by the pumped liquid.</p> <p>The motor is filled with a non-toxic motor liquid.</p> <p>Liquid: Pumped liquid: any viscous fluid Liquid temperature range: 32 .. 113 °F Density: 62.29 lb/ft³</p> <p>Technical: Actual calculated flow: 30.8 US gpm Resulting head of the pump: 22.12 ft Type of impeller: Semi-open Maximum particle size: 3/8 in Approvals on nameplate: UL Listed, CSA</p> <p>Materials: Pump housing: Stainless steel DIN W.-Nr. 1.4301 AISI 304 Impeller: Stainless steel DIN W.-Nr. 1.4301 AISI 304</p> <p>Installation: Pump outlet: 1 1/4" NPT Maximum installation depth: 24.94 ft</p>



Company name:

Created by:

Phone:

Date:

2/22/2018

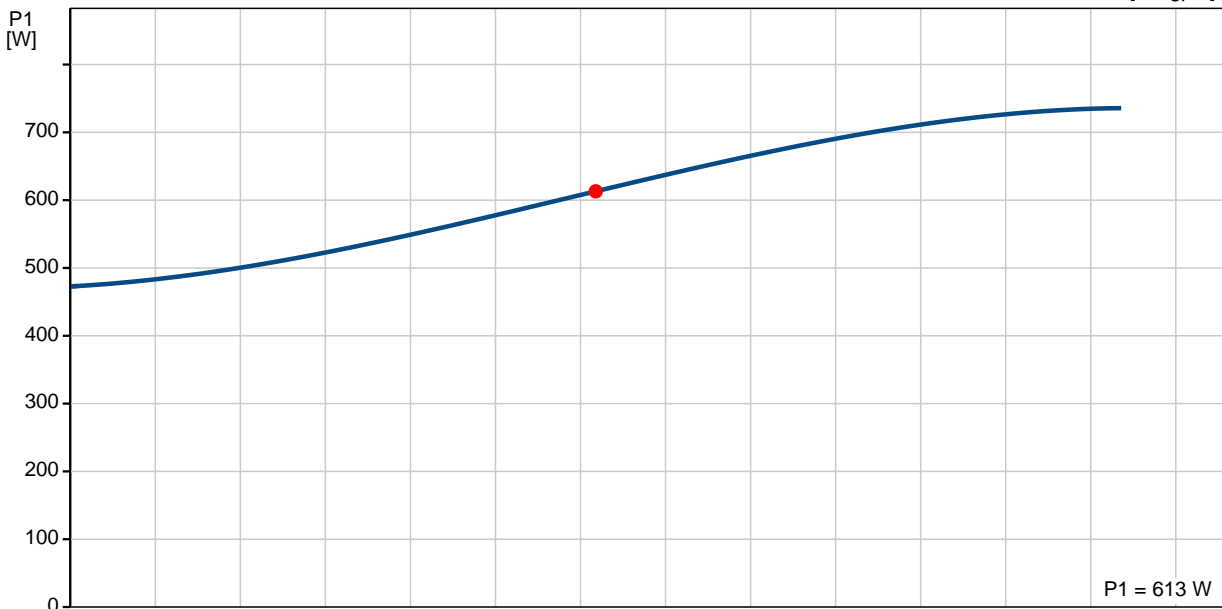
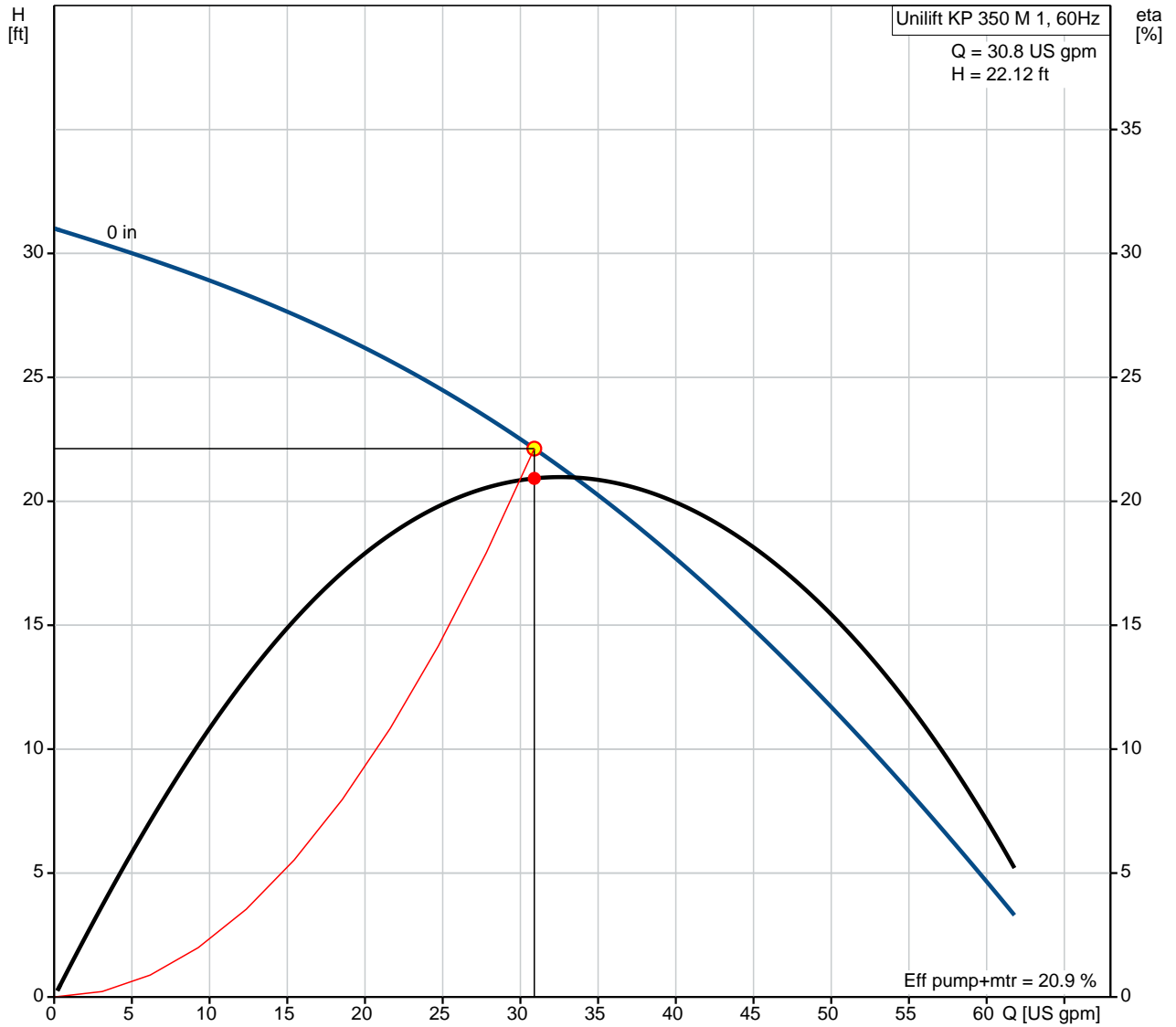
Position	Count	Description
		Electrical data: Power input - P1: 850 W Main frequency: 60 Hz Rated voltage: 1 x 115 V Rated current: 7.5 A Starting current: 21.4 A Capacitor size - run: 20 µF/250 V Enclosure class (IEC 34-5): IP68 Insulation class (IEC 85): F Length of cable: 25 ft Type of cable plug: US Others: Shipping volume: 0.44 ft ³



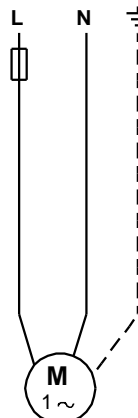
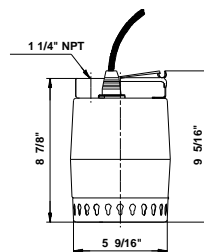
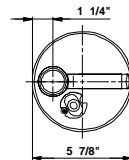
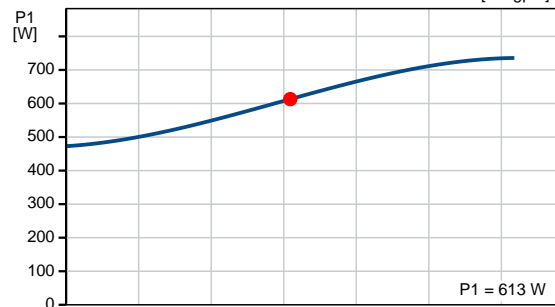
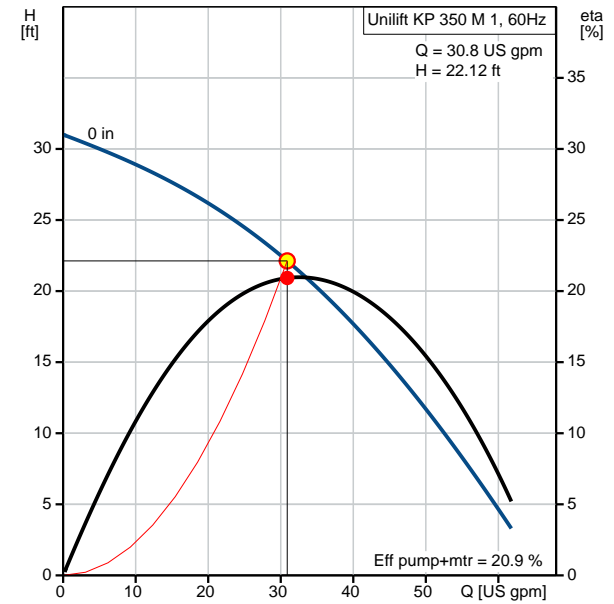
Company name:
Created by:
Phone:

Date: 2/22/2018

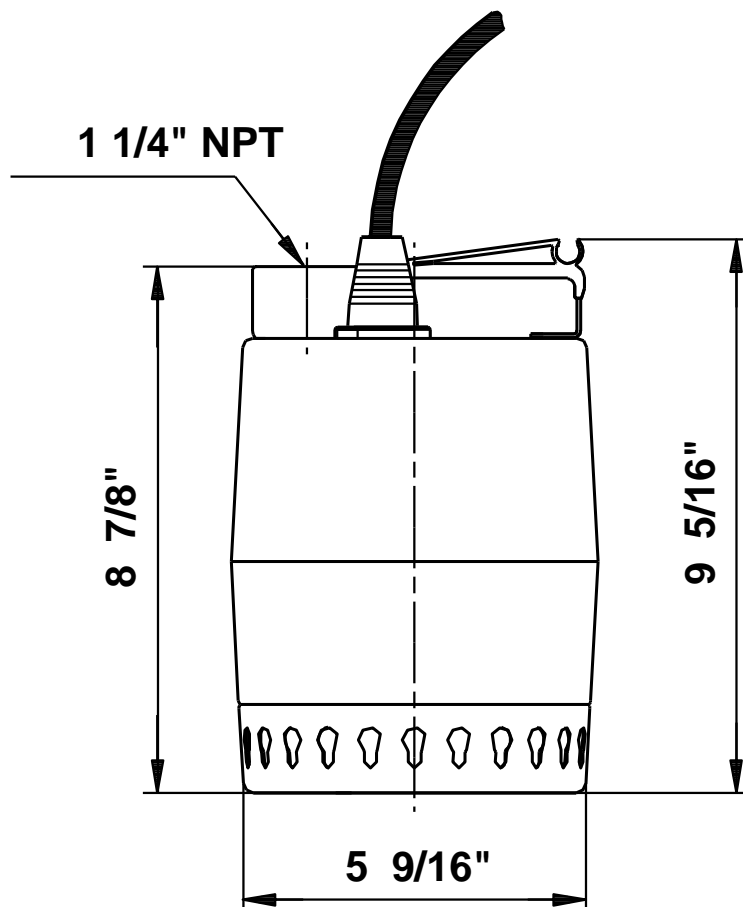
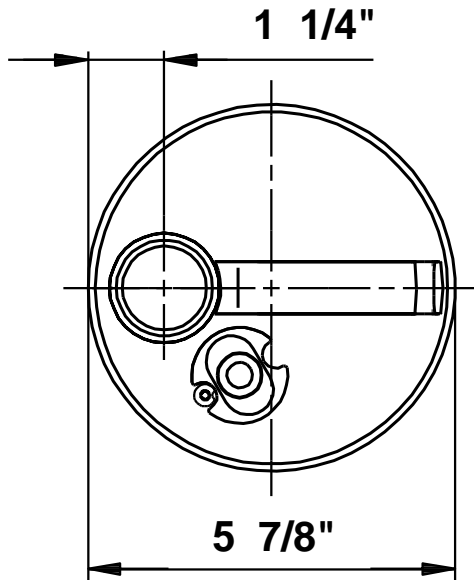
013DC201 Unilift KP 350 M 1 60 Hz



Description	Value
General information:	
Product name:	Unilift KP 350 M 1
Product No.:	013DC201
EAN:	5700392956057
Technical:	
Actual calculated flow:	30.8 US gpm
Max flow:	61.6 US gpm
Resulting head of the pump:	22.12 ft
Head max:	31.17 ft
Type of impeller:	Semi-open
Maximum particle size:	3/8 in
Approvals on nameplate:	UL Listed, CSA
Materials:	
Pump housing:	Stainless steel DIN W.-Nr. 1.4301 AISI 304
Impeller:	Stainless steel DIN W.-Nr. 1.4301 AISI 304
Installation:	
Pump outlet:	1 1/4" NPT
Maximum installation depth:	24.94 ft
Inst dry/wet:	D/S
Installation:	horizontal or vertical
Liquid:	
Pumped liquid:	any viscous fluid
Liquid temperature range:	32 .. 113 °F
Density:	62.29 lb/ft³
Electrical data:	
Power input - P1:	850 W
Main frequency:	60 Hz
Rated voltage:	1 x 115 V
Rated current:	7.5 A
Starting current:	21.4 A
Capacitor size - run:	20 µF/250 V
Enclosure class (IEC 34-5):	IP68
Insulation class (IEC 85):	F
Motor protection:	CONTACT
Thermal protec:	internal
Length of cable:	25 ft
Type of cable plug:	US
Others:	
Shipping volume:	0.44 ft³
Sales region:	Namreg

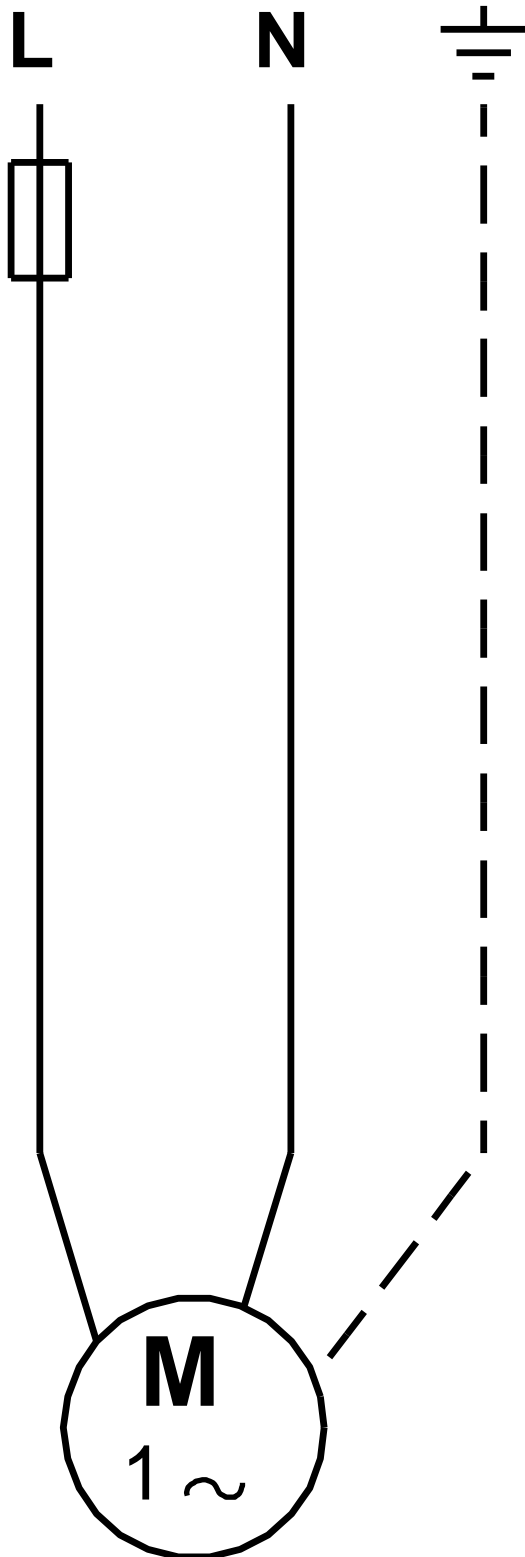


013DC201 Unilift KP 350 M 1 60 Hz



Note! All units are in [mm] unless otherwise stated.
Disclaimer: This simplified dimensional drawing does not show all details.

013DC201 Unilift KP 350 M 1 60 Hz



All units are [mm] unless otherwise presented.



Company name:

Created by:

Phone:

Date: 2/22/2018

Order Data:

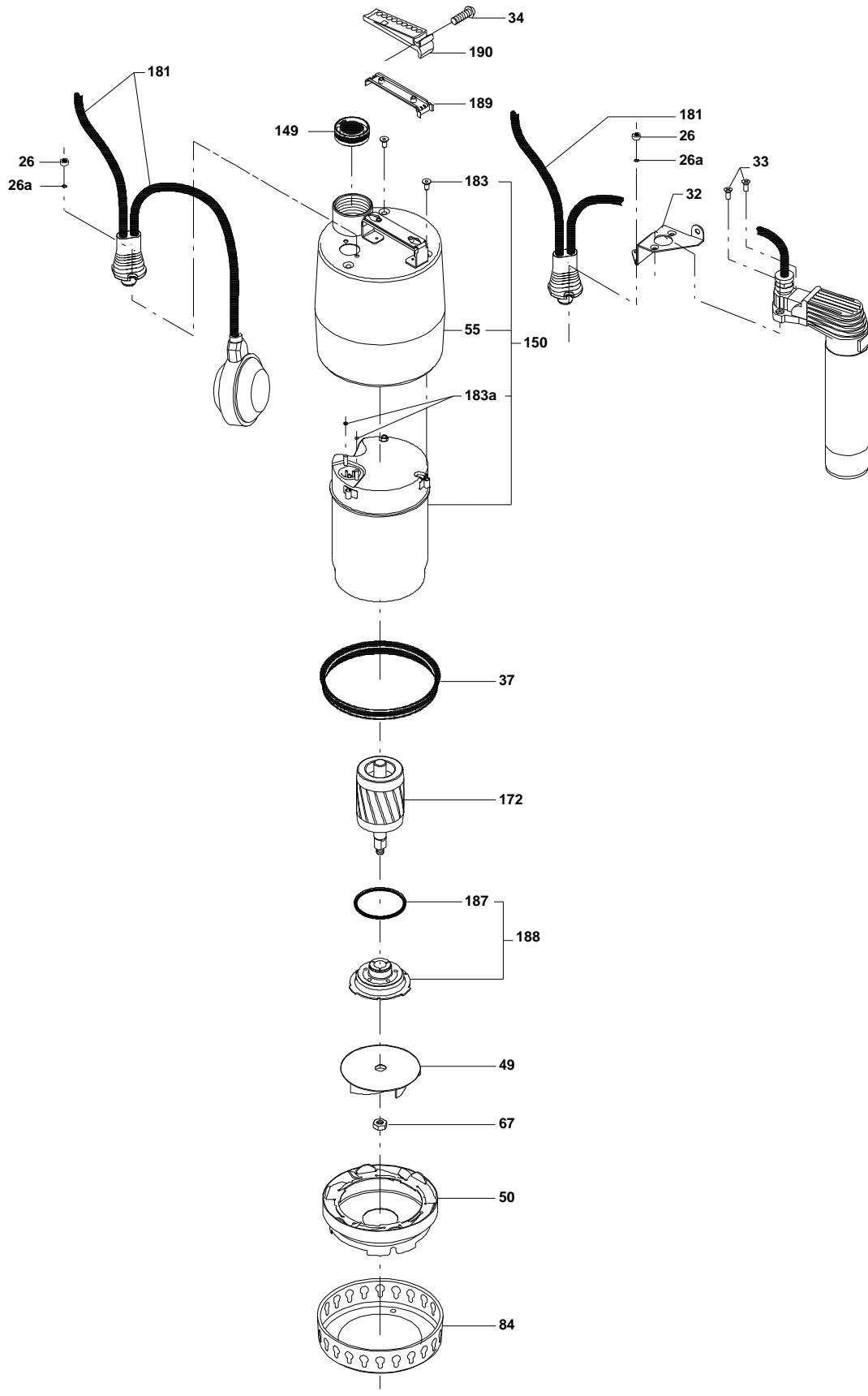
Product name: Unilift KP 350 M 1

Amount: 1

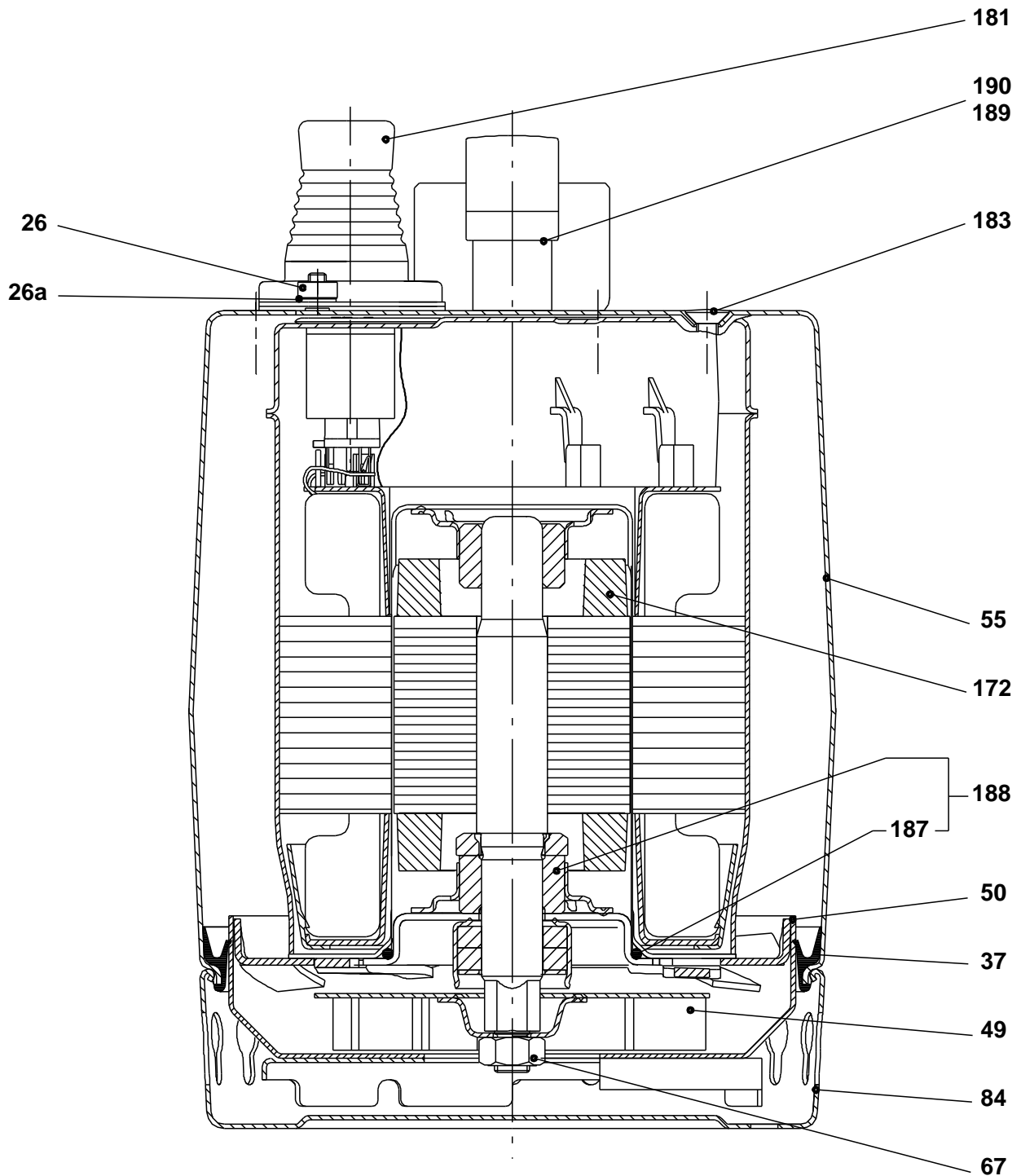
Product No.: 013DC201

Total: Price on request

Exploded view (tm001639 2499)

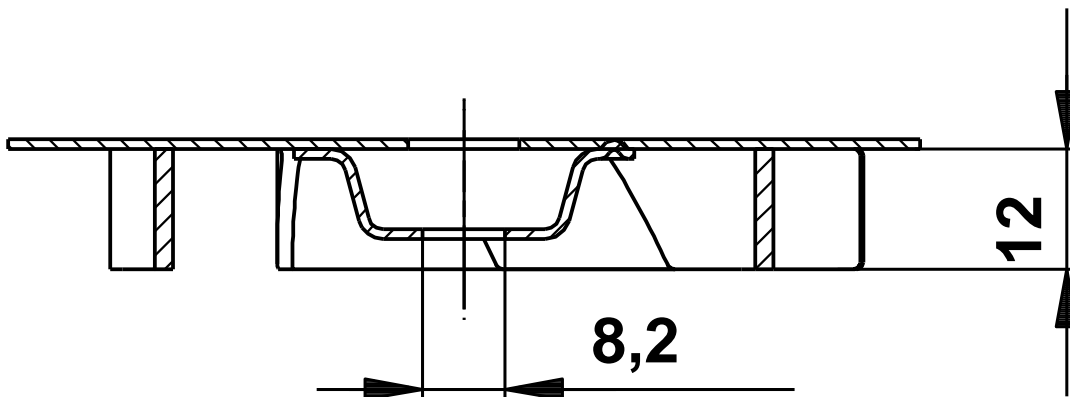
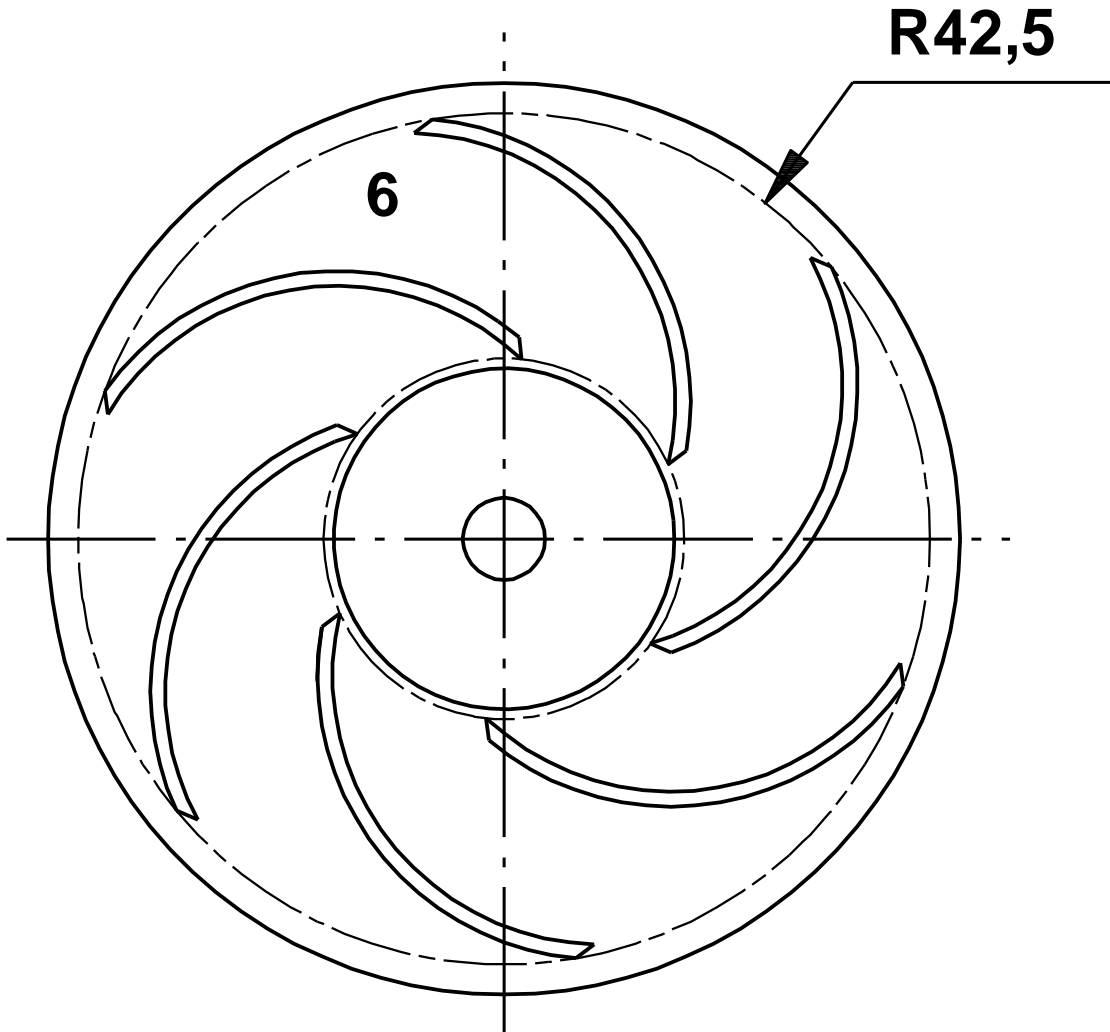


Sectional drawing (tm001747 2999)



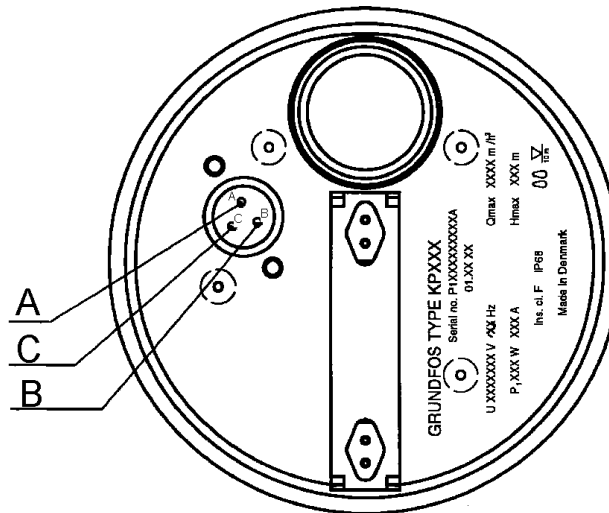
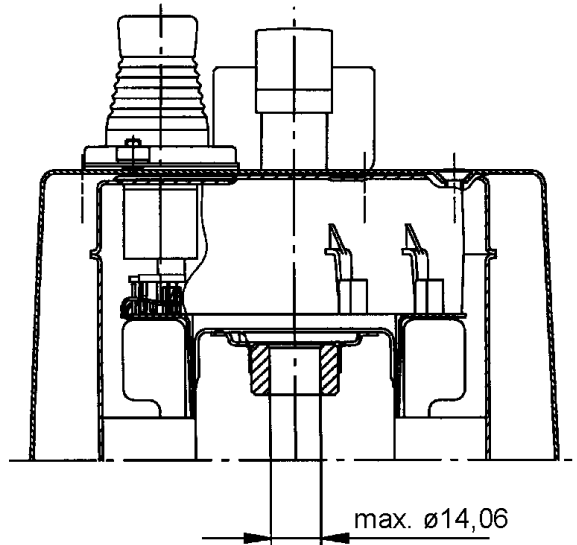
TM001747

(tm016403 2299)



TM016403

(tm013473 2999)



Main

- = Hovedvikling
- = Main winding
- = Hauptwicklung
- = Enroulement principal
- = Arrollamiento principal

Aux

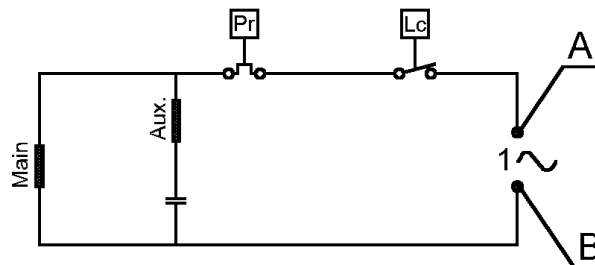
- = Hjælpevikling
- = Auxiliary winding
- = Hilfswicklung
- = Enroulement auxiliaire
- = Arrollamiento auxiliar

Lc

- = Niveaubydler
- = Level switch
- = Schwimmerschalter
- = Interrupteur à flotteur
- = Interruptor de nivel

Pr

- = Beskyttelsesanordning
- = Protector
- = Schutzeinrichtung
- = Dispositif de protection
- = Dispositivo de protección



TM013473

Parts list Unilift KP 350 M 1, Prod number 013DC201

Valid from 19.1.1999 (9904)

Position	Description	Annotation	Classification data	Part No.	Count	Unit
	Motor liquid				0	L
	Motor liquid				1	L
26	Nut		Thread: M4		2	pcs
26a	Washer		Designation: DIN 6798 A		2	pcs
			Inner diameter: 4,3			
			Outer diameter: 8			
			Thickness: 0,5			
37	Sealing part				1	pcs
+ 49	Impeller cpl.				1	pcs
50	Pump housing cpl.				1	pcs
67	Nut		Thread: M8		1	pcs
84	Strainer				1	pcs
- 150	Stator w/housing cpl.		Thread: 5/4 NPT		1	pcs
			Winding resistance (ohm, 68°F): 1,640			
	Stator				1	
55	Sleeve cpl.				1	
183	Countersunk screw		Designation: DIN 966		3	
183a	O-ring		Diameter: 4,1		2	
			Material type: NBR			
			Thickness: 1,6			
+ 172	Shaft w/rotor cpl.				1	pcs
+ 181	Cable cpl.				1	pcs
- 188	Bearing cpl.				1	pcs
	Bearing cover				1	
187	O-ring		Diameter: 52		1	
			Material type: NBR			
			Thickness: 3			
189	Lower handle				1	pcs
190	Upper handle				1	pcs