

| | | |
|-----------------------|------------------------|-----------------|
| PROJECT: _____ | UNIT TAG: _____ | QUANTITY: _____ |
| REPRESENTATIVE: _____ | TYPE OF SERVICE: _____ | DATE: _____ |
| ENGINEER: _____ | SUBMITTED BY: _____ | DATE: _____ |
| CONTRACTOR: _____ | APPROVED BY: _____ | DATE: _____ |
| | ORDER NO.: _____ | DATE: _____ |

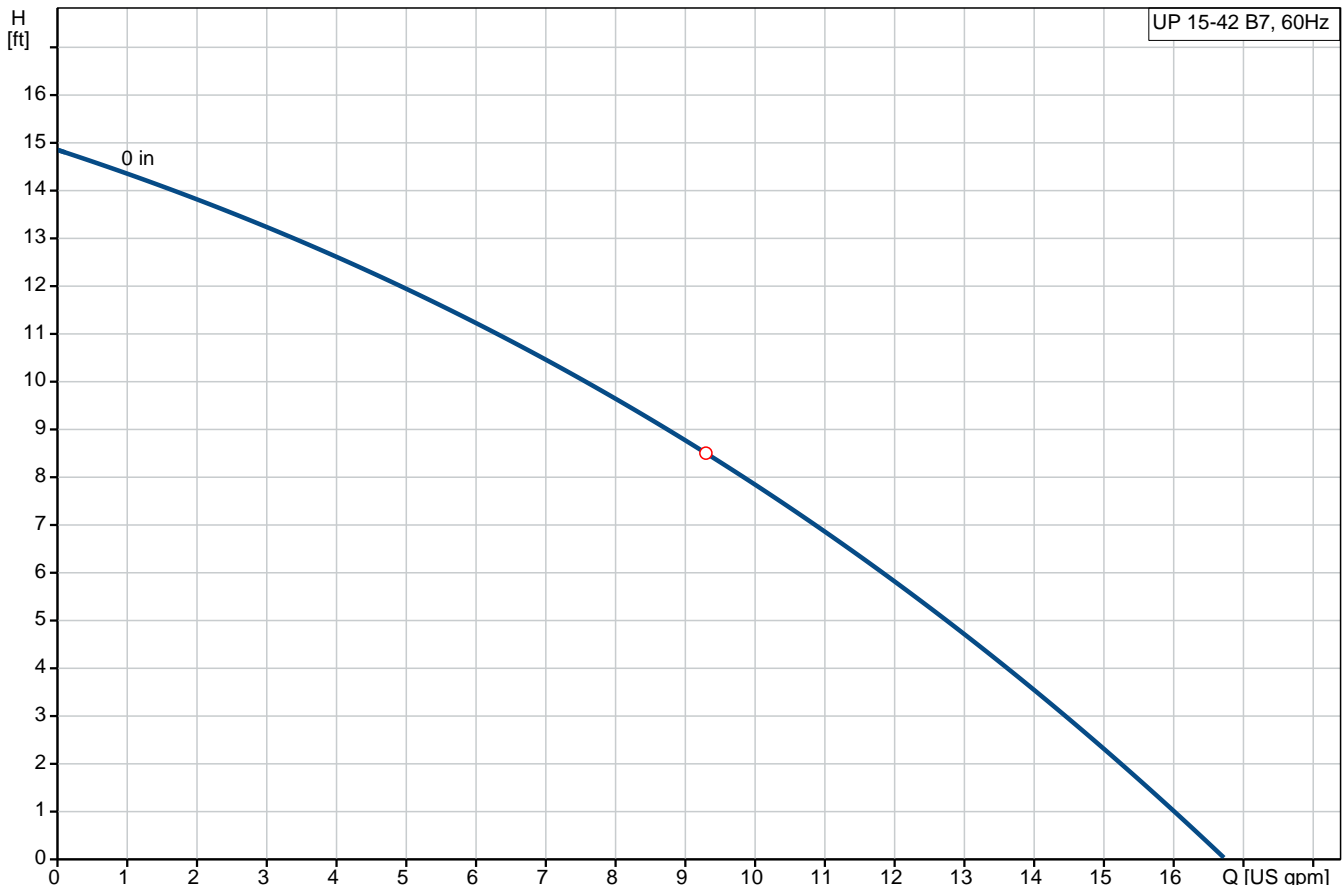


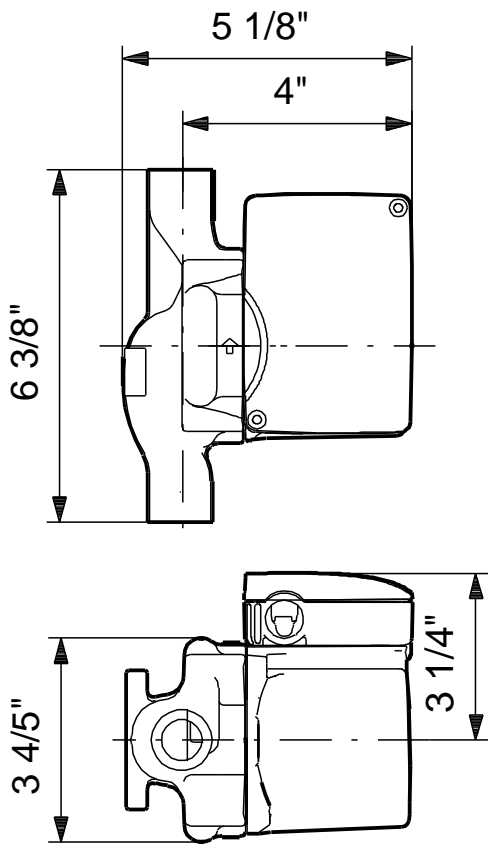
UP 15-42 B7

Circulator pumps

Product photo could vary from the actual product

| Conditions of Service | Pump Data | Motor Data |
|-------------------------|--|------------------------------|
| Flow: _____ | Maximum operating pressure: 145 psi | Max. power input: 85 W |
| Head: _____ | Liquid temperature range: 35.6 .. 230 °F | Rated power - P2: 0.04 HP |
| Efficiency: _____ | Maximum ambient temperature: 104 °F | Rated voltage: 115 V |
| Liquid: Water | Approvals: UL, CSA | Main frequency: 60 Hz |
| Temperature: 140 °F | Type of connection: Bronze Sweat | Insulation class: F |
| NPSH required: ft | Flange standard: USA Sweat | Motor protection: CONTACT |
| Viscosity: _____ | Pipe connection: 3/4" Sweat | Thermal protection: internal |
| Specific Gravity: 0.985 | Product number: 59896146 | |





Materials:

Pump housing: Bronze
DIN W.-Nr. 2.1176.01
Impeller: Composite, PES

Tender Text



Product photo could vary from the actual product

Product No.: [59896146](#)

UP 15-42 B7

The pump is of the canned rotor type, i.e. pump and motor form an integral unit without shaft seal and with only two gaskets for sealing.

The bearings are lubricated by the pumped liquid.

The pump is characterized by:

- * Ceramic shaft and radial bearings.
- * Carbon axial bearing.
- * Stainless steel rotor can and bearing plate.
- * Corrosion-resistant impeller, Composite, PES.
- * Bronze pump housing.

The motor is a 1-phase motor.

No additional motor protection is required.

Liquid:

Pumped liquid: Water
Liquid temperature range: 35.6 .. 230 °F
Liquid temperature during operation: 140 °F
Density: 61.35 lb/ft³

Technical:

Approvals on nameplate: UL, CSA

Materials:

Pump housing: Bronze
DIN W.-Nr. 2.1176.01
Impeller: Composite, PES

Installation:

Maximum ambient temperature: 104 °F
Ambient max at 176°F liquid: 176 °F
Maximum operating pressure: 145 psi
Flange standard: USA Sweat
Type of connection: Bronze Sweat
Pipe connection: 3/4" Sweat
Pressure stage: 10
Port-to-port length: 6 3/8 in

Electrical data:

Max. power input: 85 W
Rated power - P2: 0.04 HP
Main frequency: 60 Hz
Rated voltage: 1 x 115 V
Current in speed 3: 0.74 A



Company name:

Created by:


Phone:

Date: 2/21/2018

Capacitor size - run: 10 μ F/180 V
Number of poles: 2
Insulation class (IEC 85): F

Others:

Gross weight: 6.7 lb

| Position | Count | Description |
|----------|-------|--|
| | 1 | <p>UP 15-42 B7</p>  <p style="text-align: center;">Product photo could vary from the actual product</p> <p>Product No.: 59896146</p> <p>The pump is of the canned rotor type, i.e. pump and motor form an integral unit without shaft seal and with only two gaskets for sealing. The bearings are lubricated by the pumped liquid. The pump is characterized by:</p> <ul style="list-style-type: none"> * Ceramic shaft and radial bearings. * Carbon axial bearing. * Stainless steel rotor can and bearing plate. * Corrosion-resistant impeller, Composite, PES. * Bronze pump housing. <p>The motor is a 1-phase motor. No additional motor protection is required.</p> <p>Liquid:</p> <p>Pumped liquid: Water Liquid temperature range: 35.6 .. 230 °F Liquid temperature during operation: 140 °F Density: 61.35 lb/ft³</p> <p>Technical:</p> <p>Approvals on nameplate: UL, CSA</p> <p>Materials:</p> <p>Pump housing: Bronze DIN W.-Nr. 2.1176.01 Impeller: Composite, PES</p> <p>Installation:</p> <p>Maximum ambient temperature: 104 °F Ambient max at 176°F liquid: 176 °F Maximum operating pressure: 145 psi Flange standard: USA Sweat Type of connection: Bronze Sweat Pipe connection: 3/4" Sweat Pressure stage: 10 Port-to-port length: 6 3/8 in</p> <p>Electrical data:</p> <p>Max. power input: 85 W Rated power - P2: 0.04 HP Main frequency: 60 Hz Rated voltage: 1 x 115 V Current in speed 3: 0.74 A Capacitor size - run: 10 µF/180 V Number of poles: 2</p> |



Company name:

Created by:

Phone:

Date:

2/21/2018

| Position | Count | Description |
|----------|-------|---|
| | | <p>Insulation class (IEC 85): F</p> <p>Others:</p> <p>Gross weight: 6.7 lb</p> |



Company name:

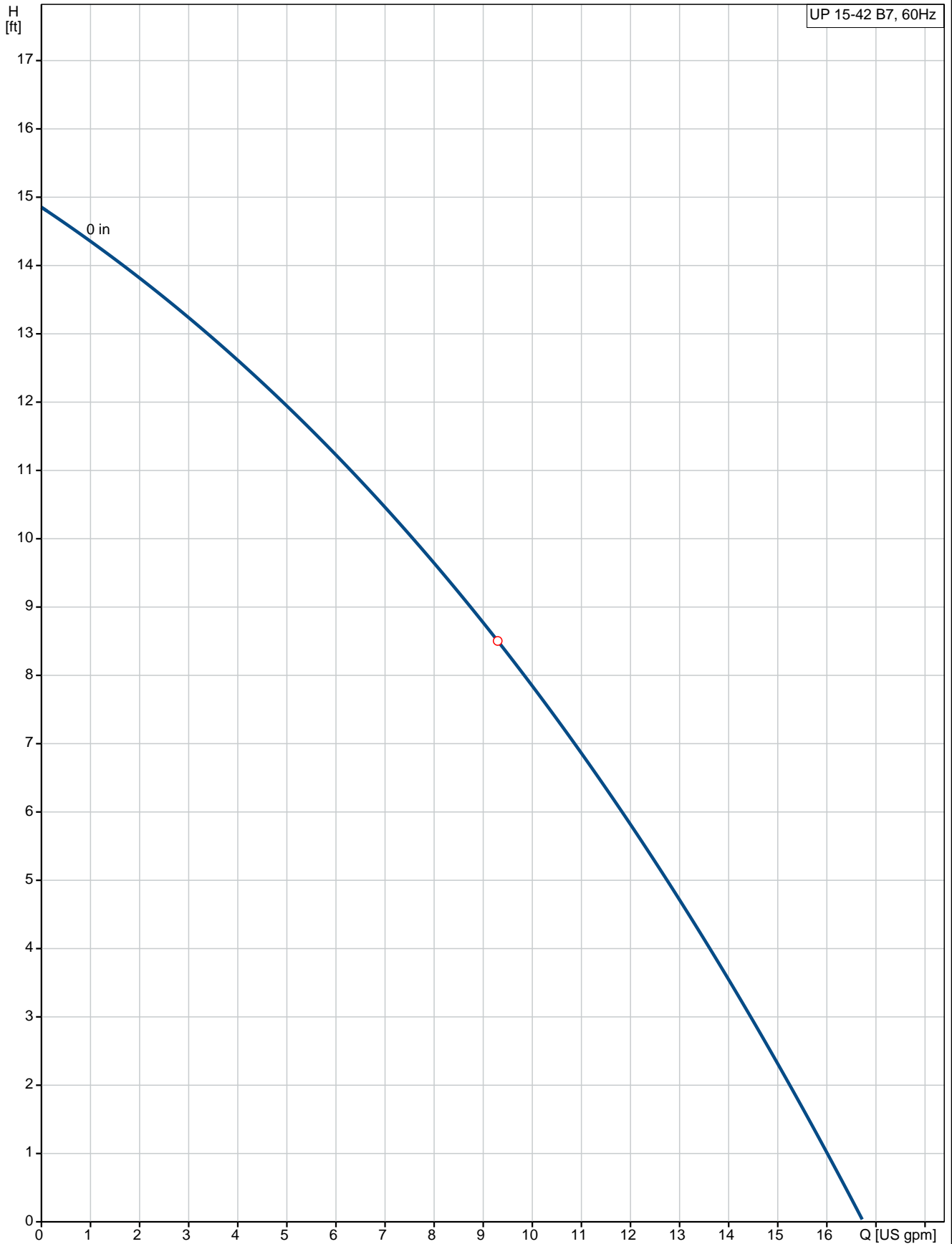
Created by:

Phone:

Date:

2/21/2018

59896146 UP 15-42 B7 60 Hz

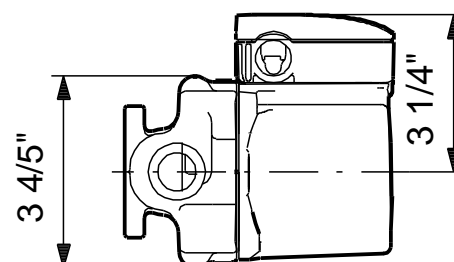
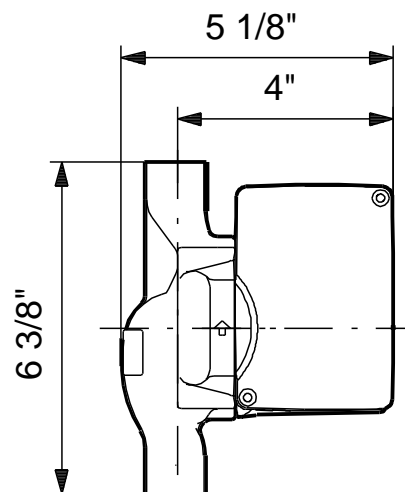


| Description | Value |
|--------------------------------------|--------------------------|
| General information: | |
| Product name: | UP 15-42 B7 |
| Product No.: | 59896146 |
| EAN: | 5700391412509 |
| Technical: | |
| Speed Number: | 1 |
| Max flow: | 17.2 US gpm |
| Head max: | 15.09 ft |
| Approvals on nameplate: | UL, CSA |
| Materials: | |
| Pump housing: | Bronze |
| | DIN W.-Nr. 2.1176.01 |
| Impeller: | Composite, PES |
| Installation: | |
| Maximum ambient temperature: | 104 °F |
| Ambient max at 176°F liquid: | 176 °F |
| Maximum operating pressure: | 145 psi |
| Flange standard: | USA Sweat |
| Type of connection: | Bronze Sweat |
| Pipe connection: | 3/4" Sweat |
| Pressure stage: | 10 |
| Port-to-port length: | 6 3/8 in |
| Liquid: | |
| Pumped liquid: | Water |
| Liquid temperature range: | 35.6 .. 230 °F |
| Liquid temperature during operation: | 140 °F |
| Density: | 61.35 lb/ft ³ |

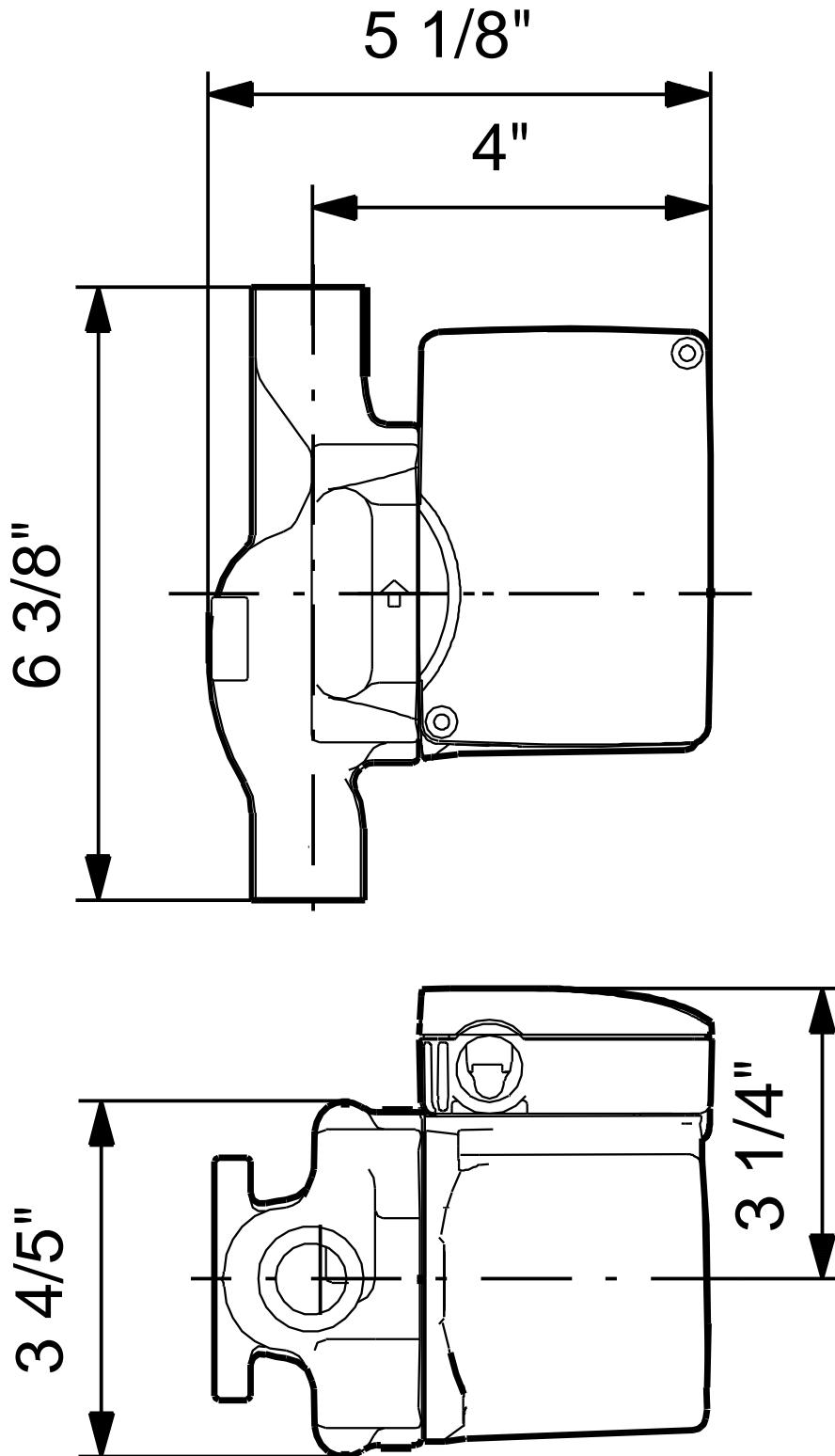
| | |
|----------------------------|-------------|
| Electrical data: | |
| Max. power input: | 85 W |
| Rated power - P2: | 0.04 HP |
| Main frequency: | 60 Hz |
| Rated voltage: | 1 x 115 V |
| Current in speed 3: | 0.74 A |
| Capacitor size - run: | 10 µF/180 V |
| Number of poles: | 2 |
| Insulation class (IEC 85): | F |
| Motor protection: | CONTACT |
| Thermal protec: | internal |

| | |
|------------------|----|
| Controls: | |
| Pos term box: | 9H |

| | |
|----------------|--------|
| Others: | |
| Gross weight: | 6.7 lb |



59896146 UP 15-42 B7 60 Hz



Note! All units are in [mm] unless otherwise stated.
Disclaimer: This simplified dimensional drawing does not show all details.



Company name:

Created by:

Phone:

Date:

2/21/2018

Order Data:

Product name: UP 15-42 B7

Amount: 1

Product No.: 59896146

Total: Price on request
