

PROJECT: _____	UNIT TAG: _____	QUANTITY: _____
REPRESENTATIVE: _____	TYPE OF SERVICE: _____	DATE: _____
ENGINEER: _____	SUBMITTED BY: _____	DATE: _____
CONTRACTOR: _____	APPROVED BY: _____	DATE: _____
	ORDER NO.: _____	DATE: _____

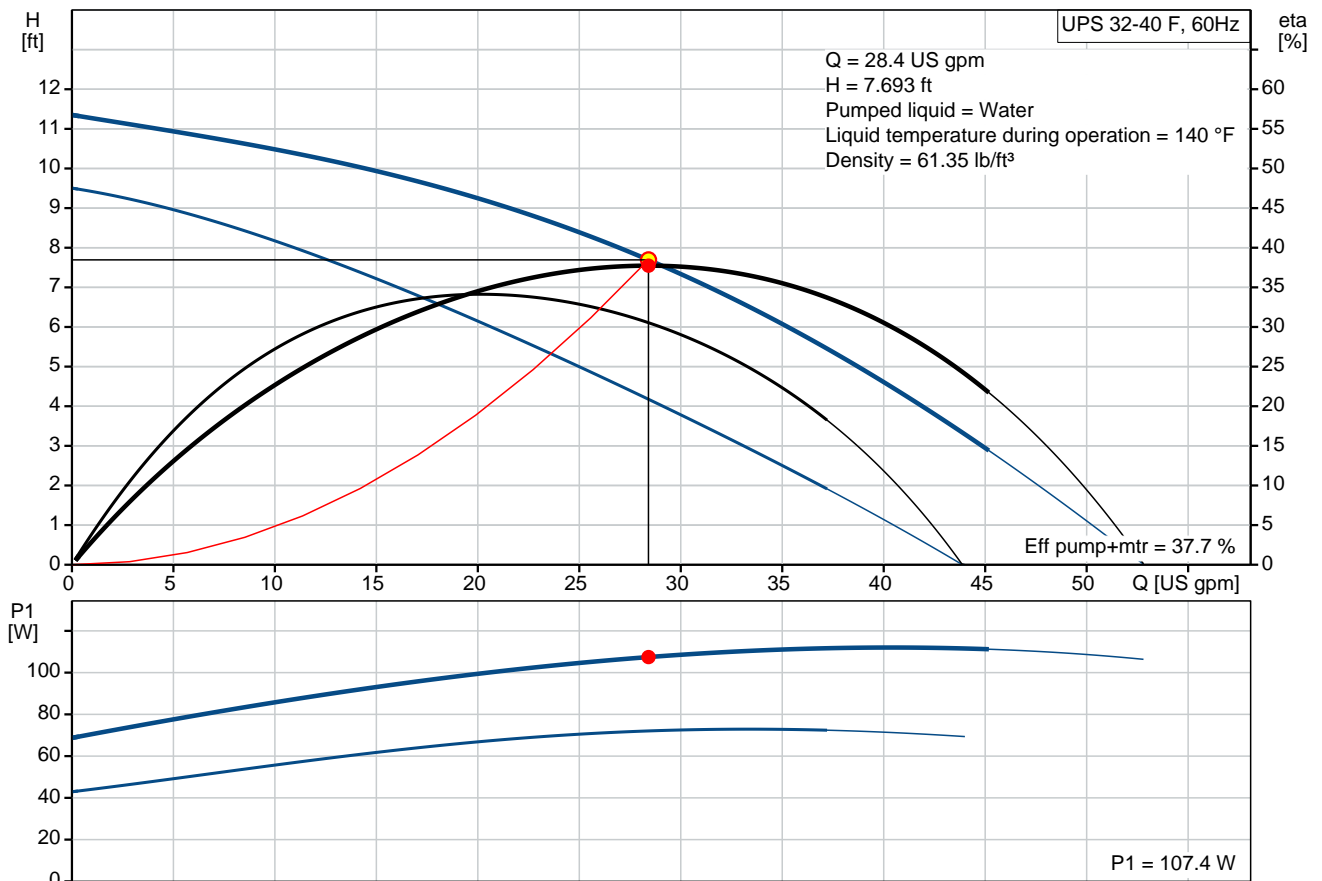


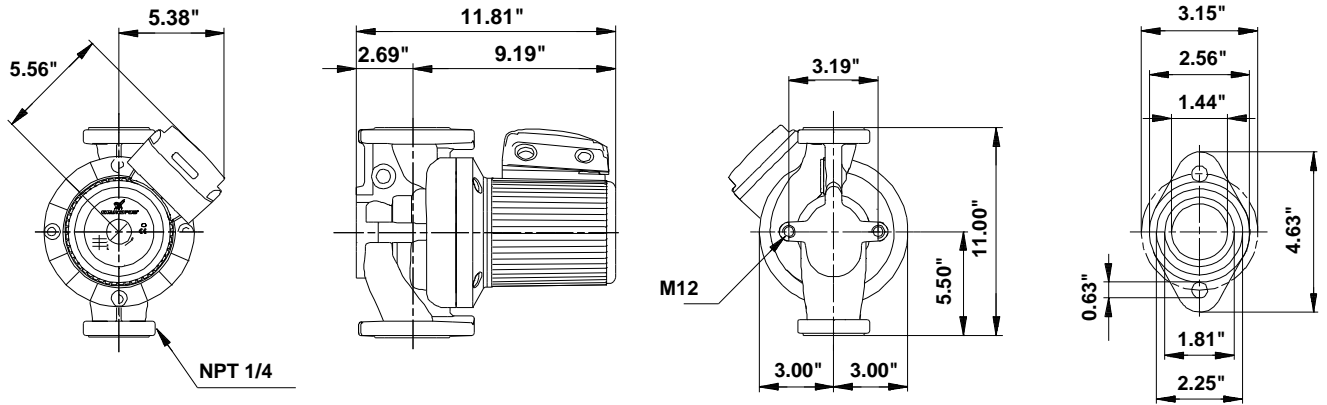
## UPS 32-40 F

Circulator pumps

Product photo could vary from the actual product

Conditions of Service		Pump Data		Motor Data	
Flow:	28.4 US gpm	Maximum operating pressure:	145 psi	Max. power input:	115 W
Head:	7.693 ft	Liquid temperature range:	14 .. 248 °F	Rated voltage:	460 V
Efficiency:	37.7 %	Maximum ambient temperature:	104 °F	Main frequency:	60 Hz
Liquid:	Water	Approvals:	CUL	Enclosure class:	X4D
Temperature:	140 °F	Type of connection:	F	Insulation class:	F
NPSH required:	ft	Flange standard:	USA Oval	Motor protection:	CONTACT
Viscosity:	_____	Pipe connection:	GF 15/26	Thermal protection:	external
Specific Gravity:	0.985	Product number:	96402697		





**Materials:**

Pump housing: Cast iron  
 EN-JL1040  
 ASTM 35 B - 40 B

Impeller: Stainless steel  
 DIN W.-Nr. 1.4301  
 AISI 304

## Tender Text



Product photo could vary from the actual product

Product No.: [96402697](#)

### UPS 32-40 F

The pump is of the canned rotor type, i.e. pump and motor form an integral unit without shaft seal and with only two gaskets for sealing. The bearings are lubricated by the pumped liquid.

In order to avoid problems in connection with disposal, great importance has been attached to using as few different materials as possible.

The pump is characterized by:

- \* 2 speed motor.
- \* Ceramic radial bearings.
- \* Carbon axial bearing.
- \* Stainless steel rotor can, bearing plate

and rotor cladding.

- \* Aluminium alloy stator housing.
- \* Cast iron pump housing.
- \* Stator with built-in thermal switch.

The motor is a 3-phase motor.

The pump is supplied with a standard module in the terminal box.

The standard module is to be connected to the mains supply via external contactor.

### Controls:

Relay: without relay

### Liquid:

Pumped liquid: Water  
Liquid temperature range: 14 .. 248 °F  
Liquid temperature during operation: 140 °F  
Density: 61.35 lb/ft<sup>3</sup>

### Technical:

Actual calculated flow: 28.4 US gpm  
Resulting head of the pump: 7.693 ft  
Approvals on nameplate: CUL

### Materials:

Pump housing: Cast iron  
EN-JL1040  
ASTM 35 B - 40 B

Impeller: Stainless steel  
DIN W.-Nr. 1.4301  
AISI 304

**Installation:**


Range of ambient temperature: 32 .. 104 °F  
Maximum operating pressure: 145 psi  
Flange standard: USA Oval  
Type of connection: F  
Pipe connection: GF 15/26  
Pressure stage: 145 psi  
Port-to-port length: 11 in

**Electrical data:**

Power input in speed 2: 75 W  
Max. power input: 115 W  
Main frequency: 60 Hz  
Rated voltage: 3 x 460 V  
Current in speed 2: 0.13 A  
Current in speed 3: 0.28 A  
Cos phi in speed 2: 0,72  
Cos phi: 0,52  
Enclosure class (IEC 34-5): X4D  
Insulation class (IEC 85): F  
Winding resistance: 360.0 - 470.0 ohm

**Others:**

Net weight: 35.9 lb  
Gross weight: 43.4 lb  
Shipping volume: 2.08 ft<sup>3</sup>

Position	Count	Description
	1	<p><b>UPS 32-40 F</b></p>  <p style="text-align: right;">Product photo could vary from the actual product</p> <p>Product No.: <a href="#">96402697</a>            The pump is of the canned rotor type, i.e. pump and motor form an integral unit without shaft seal and with only two gaskets for sealing. The bearings are lubricated by the pumped liquid.</p> <p>In order to avoid problems in connection with disposal, great importance has been attached to using as few different materials as possible.</p> <p>The pump is characterized by:</p> <ul style="list-style-type: none"> <li>* 2 speed motor.</li> <li>* Ceramic radial bearings.</li> <li>* Carbon axial bearing.</li> <li>* Stainless steel rotor can, bearing plate and rotor cladding.</li> <li>* Aluminium alloy stator housing.</li> <li>* Cast iron pump housing.</li> <li>* Stator with built-in thermal switch.</li> </ul> <p>The motor is a 3-phase motor.</p> <p>The pump is supplied with a standard module in the terminal box. The standard module is to be connected to the mains supply via external contactor.</p> <p><b>Controls:</b>            Relay: without relay</p> <p><b>Liquid:</b>            Pumped liquid: Water            Liquid temperature range: 14 .. 248 °F            Liquid temperature during operation: 140 °F            Density: 61.35 lb/ft<sup>3</sup></p> <p><b>Technical:</b>            Actual calculated flow: 28.4 US gpm            Resulting head of the pump: 7.693 ft            Approvals on nameplate: CUL</p> <p><b>Materials:</b>            Pump housing: Cast iron                              EN-JL1040                              ASTM 35 B - 40 B            Impeller: Stainless steel                              DIN W.-Nr. 1.4301</p>

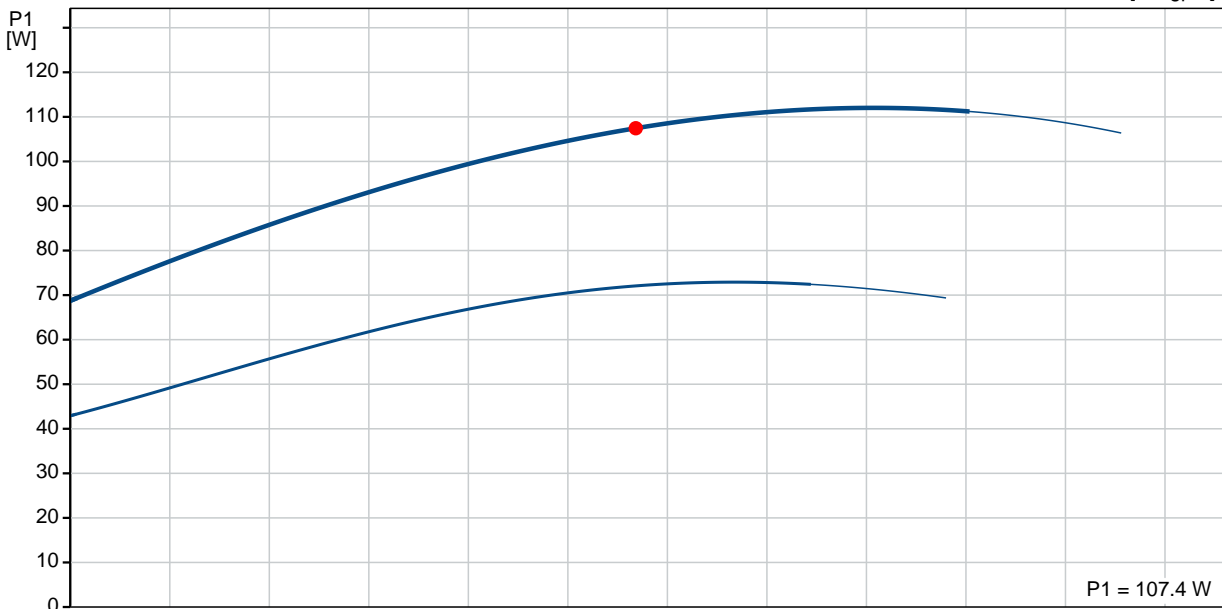
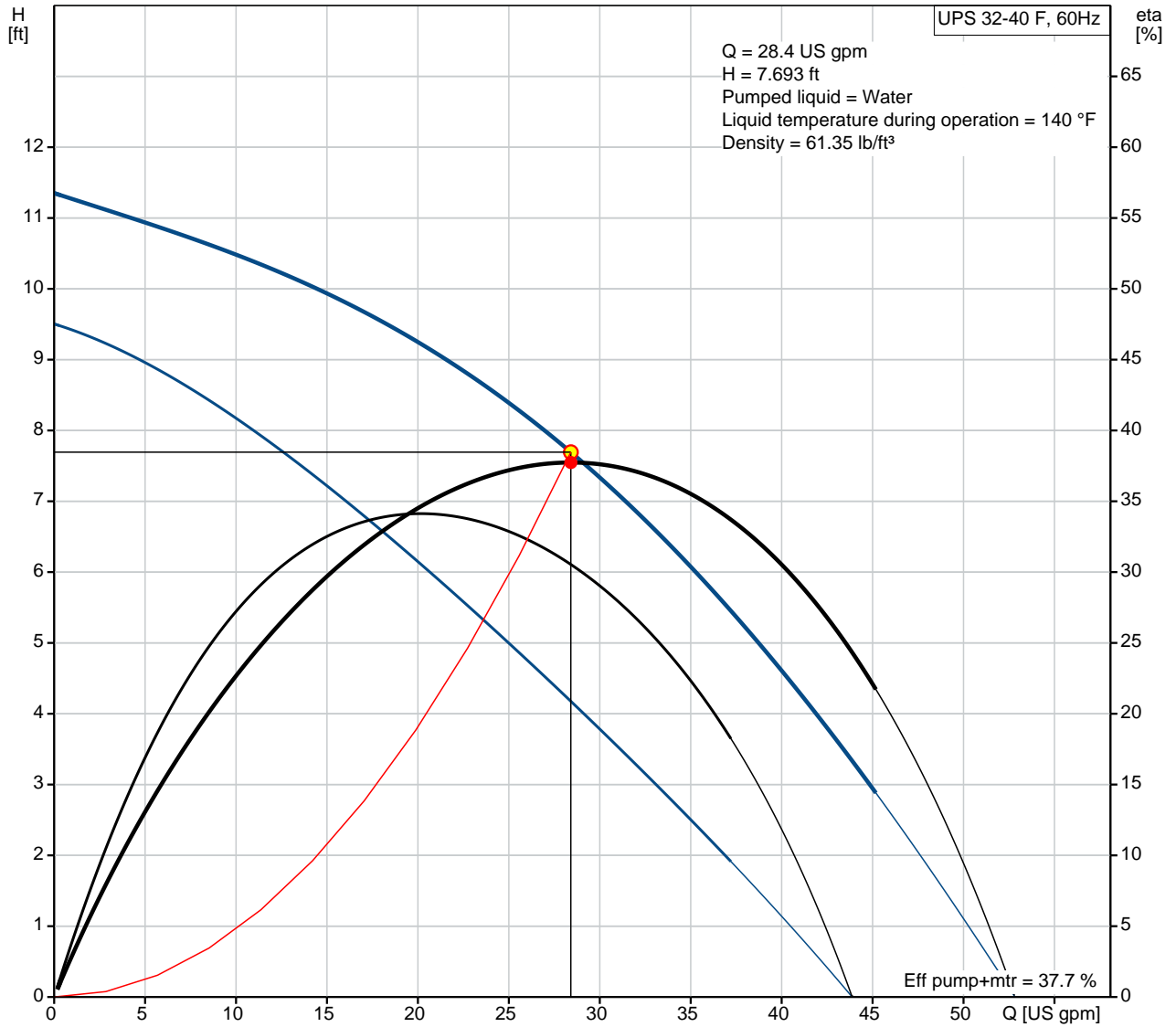
Position	Count	Description
		AISI 304
		<p><b>Installation:</b></p> <p>Range of ambient temperature: 32 .. 104 °F</p> <p>Maximum operating pressure: 145 psi</p> <p>Flange standard: USA Oval</p> <p>Type of connection: F</p> <p>Pipe connection: GF 15/26</p> <p>Pressure stage: 145 psi</p> <p>Port-to-port length: 11 in</p> <p><b>Electrical data:</b></p> <p>Power input in speed 2: 75 W</p> <p>Max. power input: 115 W</p> <p>Main frequency: 60 Hz</p> <p>Rated voltage: 3 x 460 V</p> <p>Current in speed 2: 0.13 A</p> <p>Current in speed 3: 0.28 A</p> <p>Cos phi in speed 2: 0,72</p> <p>Cos phi: 0,52</p> <p>Enclosure class (IEC 34-5): X4D</p> <p>Insulation class (IEC 85): F</p> <p>Winding resistance: 360.0 - 470.0 ohm</p> <p><b>Others:</b></p> <p>Net weight: 35.9 lb</p> <p>Gross weight: 43.4 lb</p> <p>Shipping volume: 2.08 ft³</p>



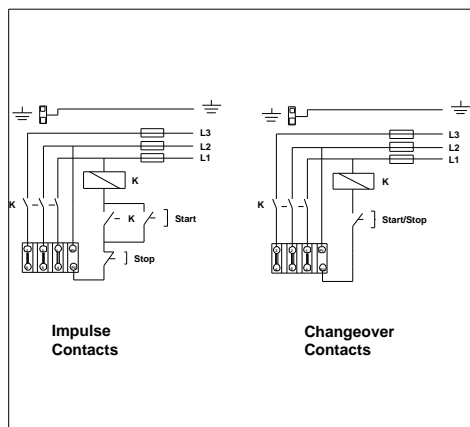
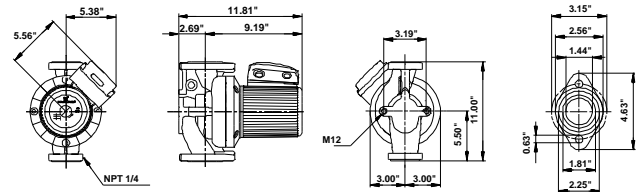
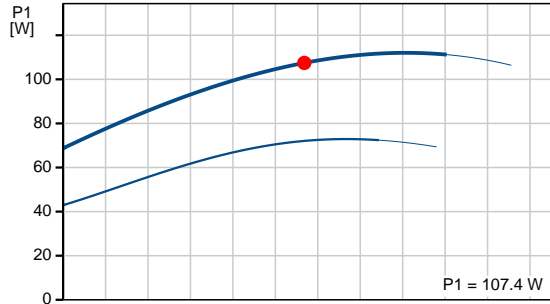
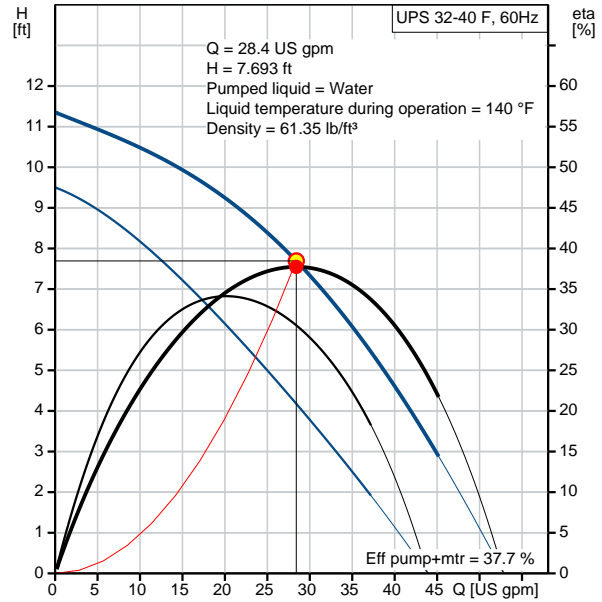
Company name:  
Created by:  
Phone:

Date: 2/21/2018

### 96402697 UPS 32-40 F 60 Hz



Description	Value
<b>General information:</b>	
Product name:	UPS 32-40 F
Product No.:	96402697
EAN:	5700390677954
<b>Technical:</b>	
Speed Number:	2
Actual calculated flow:	28.4 US gpm
Resulting head of the pump:	7.693 ft
Head max:	13.12 ft
Approvals on nameplate:	CUL
Model:	C
<b>Materials:</b>	
Pump housing:	Cast iron EN-JL1040
Impeller:	Stainless steel ASTM 35 B - 40 B DIN W.-Nr. 1.4301 AISI 304
<b>Installation:</b>	
Range of ambient temperature:	32 .. 104 °F
Maximum operating pressure:	145 psi
Flange standard:	USA Oval
Type of connection:	F
Pipe connection:	GF 15/26
Pressure stage:	145 psi
Port-to-port length:	11 in
<b>Liquid:</b>	
Pumped liquid:	Water
Liquid temperature range:	14 .. 248 °F
Liquid temperature during operation:	140 °F
Density:	61.35 lb/ft <sup>3</sup>
<b>Electrical data:</b>	
Power input in speed 2:	75 W
Max. power input:	115 W
Main frequency:	60 Hz
Rated voltage:	3 x 460 V
Current in speed 2:	0.13 A
Current in speed 3:	0.28 A
Cos phi in speed 2:	0,72
Cos phi:	0,52
Enclosure class (IEC 34-5):	X4D
Insulation class (IEC 85):	F
Motor protection:	CONTACT
Thermal protec:	external
Winding resistance:	360.0 - 470.0 ohm
<b>Controls:</b>	
Relay:	without relay
Pos term box:	1.30H
<b>Others:</b>	
Net weight:	35.9 lb
Gross weight:	43.4 lb
Shipping volume:	2.08 ft <sup>3</sup>







Company name:

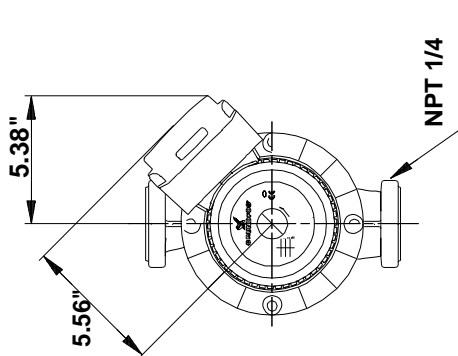
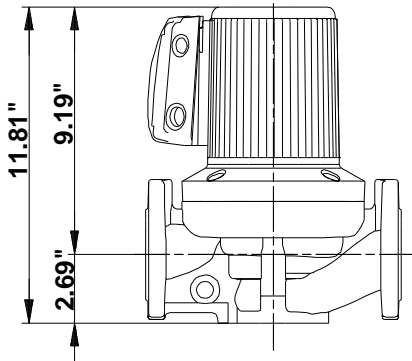
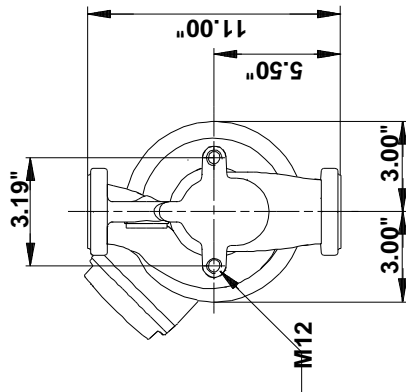
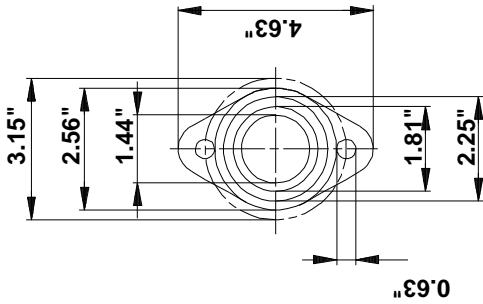
Created by:

Phone:

Date: 2/21/2018

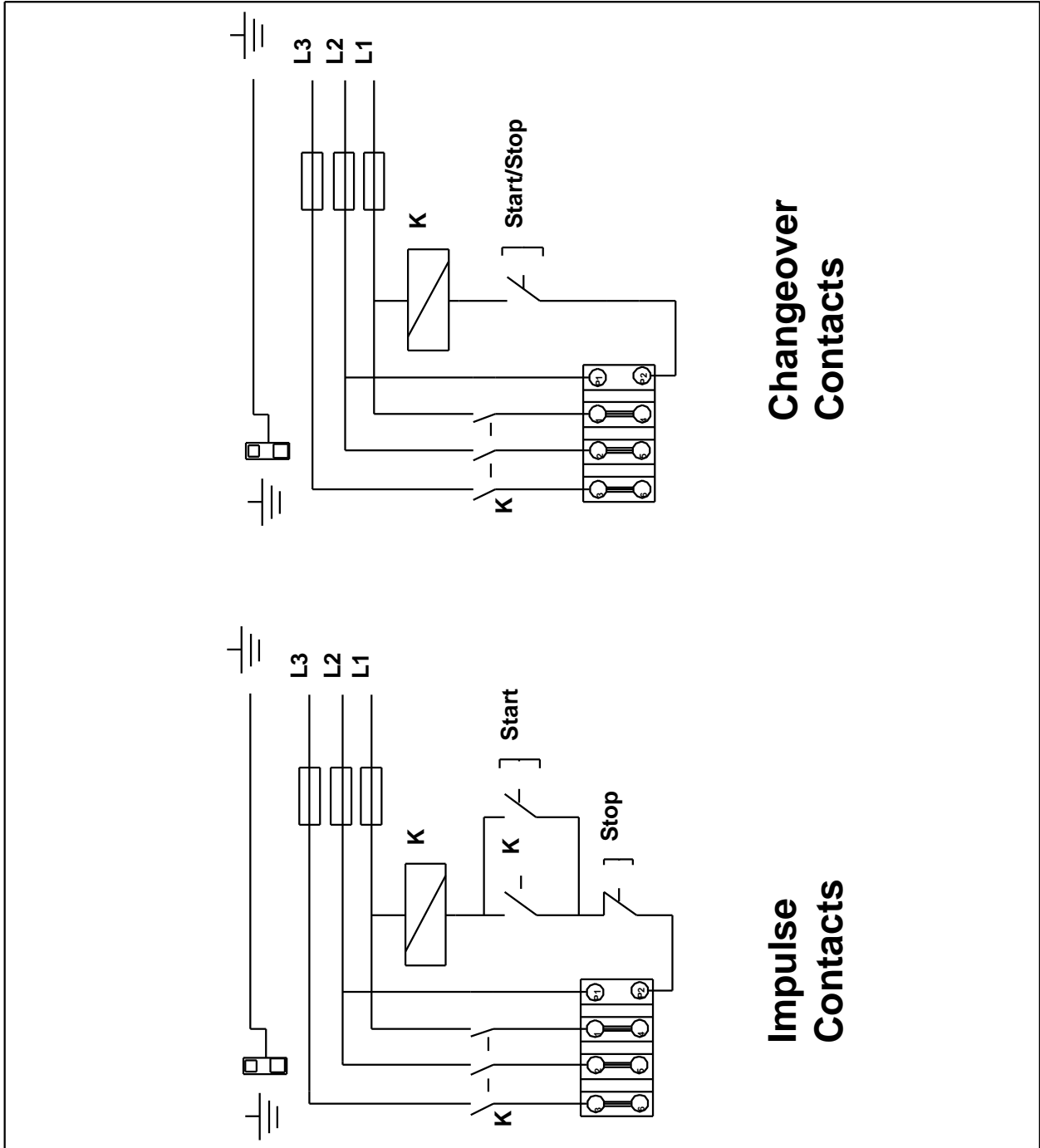
Description	Value
Sales region:	Namreg

## 96402697 UPS 32-40 F 60 Hz



Note! All units are in [mm] unless otherwise stated.  
Disclaimer: This simplified dimensional drawing does not show all details.

**96402697 UPS 32-40 F 60 Hz**



**Changeover  
Contacts**

**Impulse  
Contacts**

All units are [mm] unless otherwise presented.



Company name:

Created by:

Phone:

Date:

2/21/2018

---

**Order Data:**

Product name: UPS 32-40 F

Amount: 1

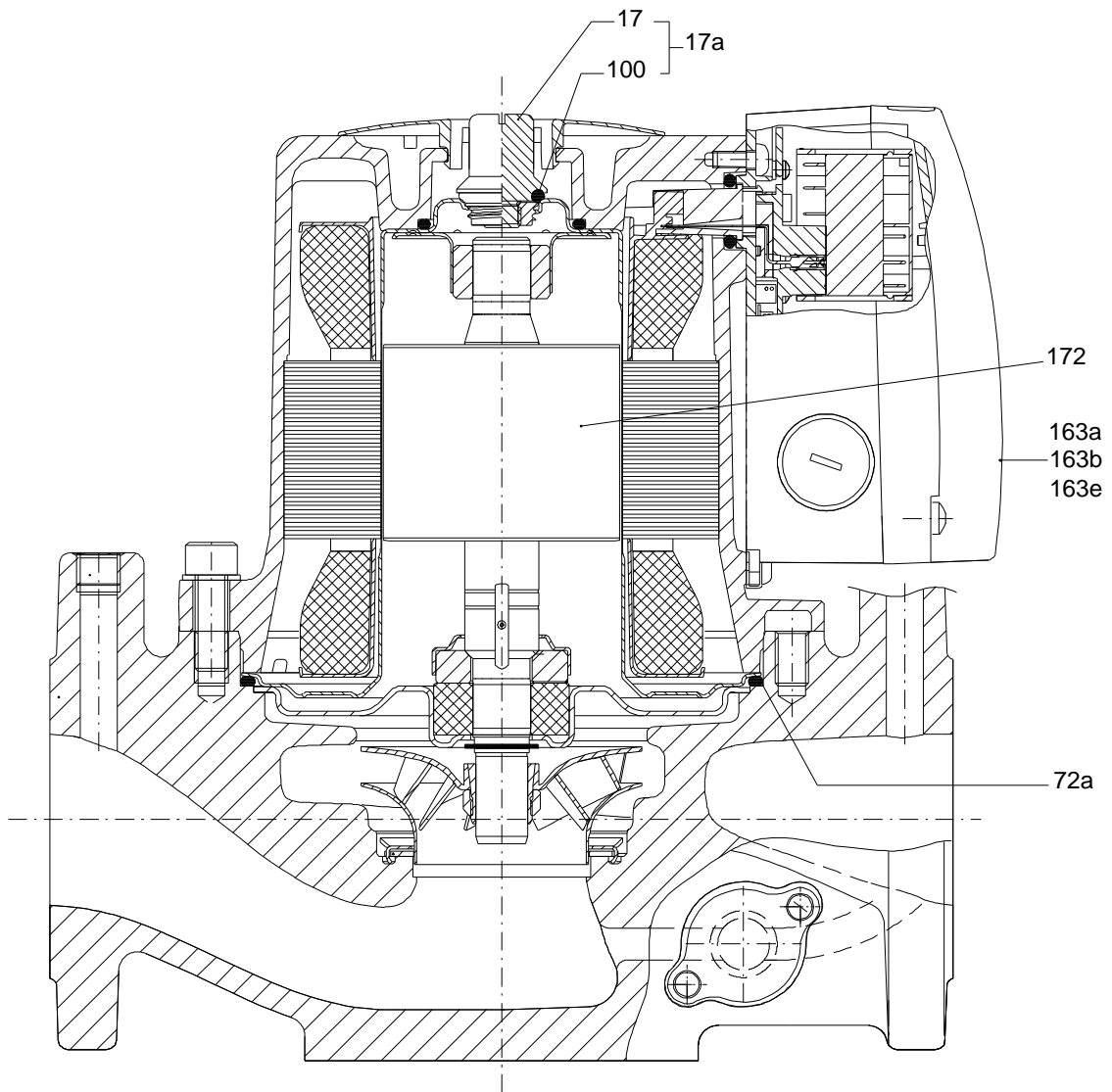
Product No.: 96402697

Total: Price on request

---



Sectional drawing (TM010371 3905)





Company name:

Created by:

Phone:

Date:

2/21/2018

**Parts list UPS 32-40 F, Prod number 96402697**

**Valid from 1.4.1995 (9513)**

Position	Description	Annotation	Classification data	Part No.	Count	Unit
163b	Terminal box cpl.		Designation: WITH STANDARD MODULE		1	pcs