

PROJECT: _____	UNIT TAG: _____	QUANTITY: _____
REPRESENTATIVE: _____	TYPE OF SERVICE: _____	DATE: _____
ENGINEER: _____	SUBMITTED BY: _____	DATE: _____
CONTRACTOR: _____	APPROVED BY: _____	DATE: _____
	ORDER NO.: _____	DATE: _____

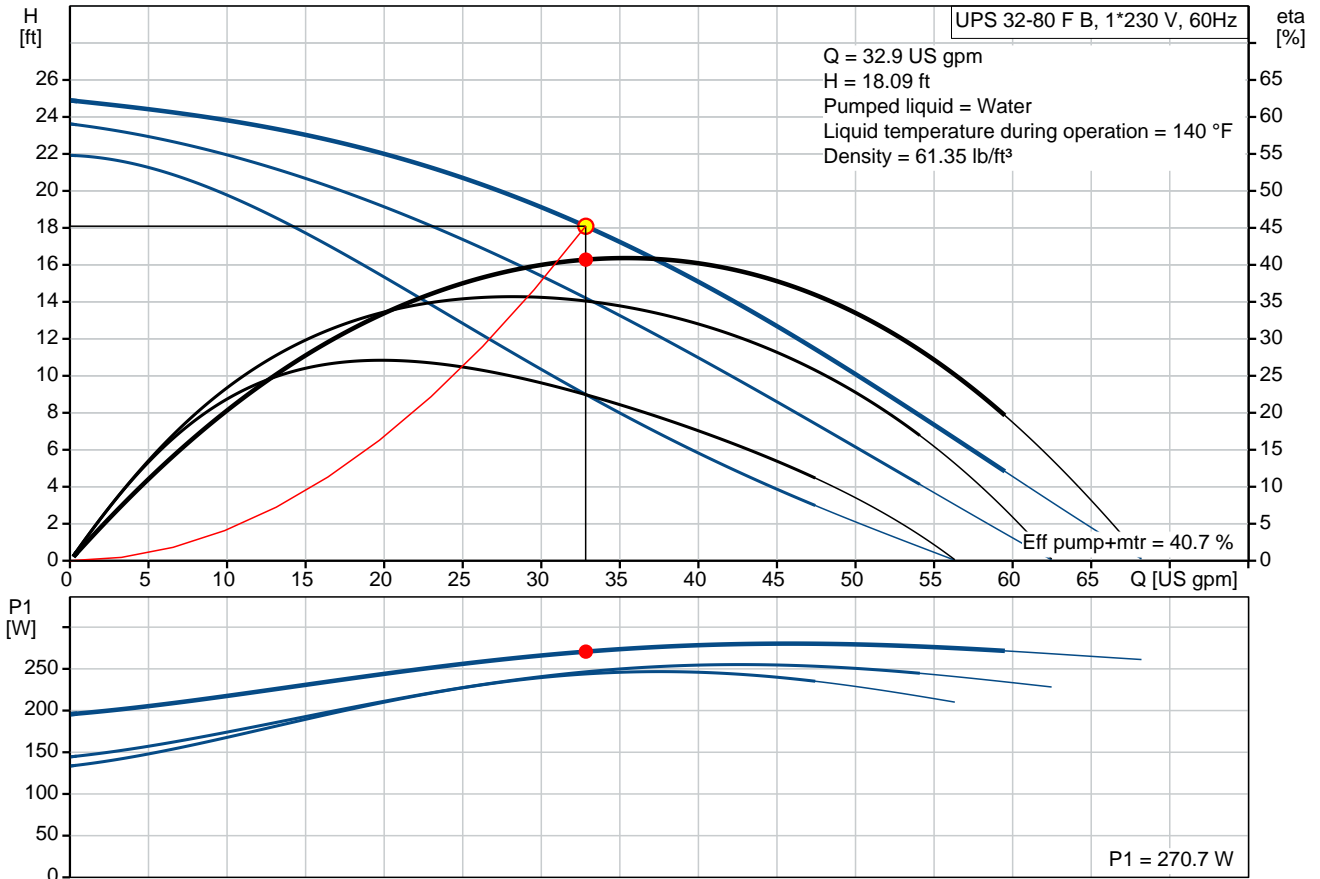


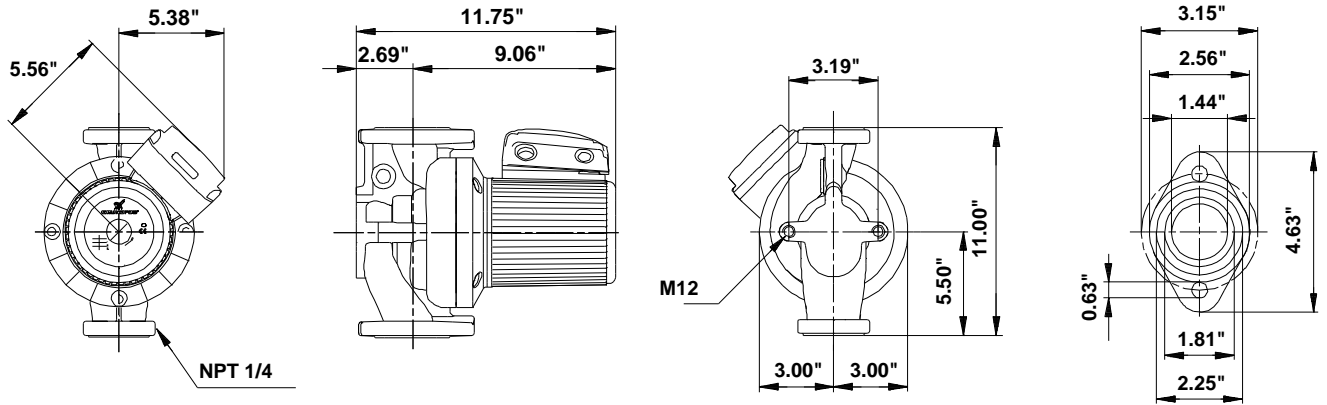
**UPS 32-80 F B**

Circulator pumps

Product photo could vary from the actual product

Conditions of Service		Pump Data		Motor Data	
Flow:	32.9 US gpm	Maximum operating pressure:	145 psi	Max. power input:	280 W
Head:	18.09 ft	Liquid temperature range:	14 .. 248 °F	Rated voltage:	230 V
Efficiency:	40.7 %	Maximum ambient temperature:	104 °F	Main frequency:	60 Hz
Liquid:	Water	Approvals:	CUL	Enclosure class:	X4D
Temperature:	140 °F	Type of connection:	F	Insulation class:	F
NPSH required:	ft	Flange standard:	USA Oval	Motor protection:	CONTACT
Viscosity:	_____	Pipe connection:	GF 15/26	Thermal protection:	internal
Specific Gravity:	0.985	Product number:	96402714		





**Materials:**

Pump housing: Bronze  
 DIN W.-Nr. 2.1176.01  
 Impeller: Stainless steel  
 DIN W.-Nr. 1.4301  
 AISI 304

## Tender Text



Product photo could vary from the actual product

Product No.: [96402714](#)

### UPS 32-80 F B

The pump is of the canned rotor type, i.e. pump and motor form an integral unit without shaft seal and with only two gaskets for sealing. The bearings are lubricated by the pumped liquid.

In order to avoid problems in connection with disposal, great importance has been attached to using as few different materials as possible.

The pump is characterized by:

- \* 3 speed motor.
- \* Ceramic radial bearings.
- \* Carbon axial bearing.
- \* Stainless steel rotor can, bearing plate and rotor cladding.
- \* Aluminium alloy stator housing.
- \* Bronze pump housing.
- \* Stator with built-in thermal switch.

The motor is a 1-phase motor.

The pump is supplied with a standard module in the terminal box.

The standard module is to be connected to the mains supply via external contactor.

### Controls:

Relay: with relay

### Liquid:

Pumped liquid: Water  
Liquid temperature range: 14 .. 248 °F  
Liquid temperature during operation: 140 °F  
Density: 61.35 lb/ft<sup>3</sup>

### Technical:

Actual calculated flow: 32.9 US gpm  
Resulting head of the pump: 18.09 ft  
Approvals on nameplate: CUL

### Materials:

Pump housing: Bronze  
DIN W.-Nr. 2.1176.01  
Impeller: Stainless steel

DIN W.-Nr. 1.4301  
AISI 304

**Installation:**


Range of ambient temperature: 32 .. 104 °F  
Maximum operating pressure: 145 psi  
Flange standard: USA Oval  
Type of connection: F  
Pipe connection: GF 15/26  
Pressure stage: 145 psi  
Port-to-port length: 11 in

**Electrical data:**

Power input in speed 1: 250 W  
Power input in speed 2: 260 W  
Max. power input: 280 W  
Main frequency: 60 Hz  
Rated voltage: 1 x 230 V  
Current in speed 1: 1.26 A  
Current in speed 2: 1.26 A  
Current in speed 3: 1.34 A  
Cos phi in speed 1: 0,87  
Cos phi in speed 2: 0,9  
Cos phi: 0,92  
Capacitor size - run: 8 µF/400 V  
Enclosure class (IEC 34-5): X4D  
Insulation class (IEC 85): F

**Others:**

Net weight: 39.2 lb  
Gross weight: 46.7 lb  
Shipping volume: 2.08 ft<sup>3</sup>

Position	Count	Description
	1	<p data-bbox="343 342 510 365"><b>UPS 32-80 F B</b></p> <div data-bbox="406 380 662 694" style="text-align: center;">  </div> <p data-bbox="734 683 1189 705" style="text-align: center;">Product photo could vary from the actual product</p> <p data-bbox="343 716 606 739">Product No.: <a href="#">96402714</a></p> <p data-bbox="343 750 869 862">The pump is of the canned rotor type, i.e. pump and motor form an integral unit without shaft seal and with only two gaskets for sealing. The bearings are lubricated by the pumped liquid.</p> <p data-bbox="343 896 869 974">In order to avoid problems in connection with disposal, great importance has been attached to using as few different materials as possible.</p> <p data-bbox="343 1008 678 1041">The pump is characterized by:</p> <ul data-bbox="383 1041 837 1276" style="list-style-type: none"> <li>* 3 speed motor.</li> <li>* Ceramic radial bearings.</li> <li>* Carbon axial bearing.</li> <li>* Stainless steel rotor can, bearing plate and rotor cladding.</li> <li>* Aluminium alloy stator housing.</li> <li>* Bronze pump housing.</li> <li>* Stator with built-in thermal switch.</li> </ul> <p data-bbox="343 1310 678 1332">The motor is a 1-phase motor.</p> <p data-bbox="343 1366 853 1478">The pump is supplied with a standard module in the terminal box. The standard module is to be connected to the mains supply via external contactor.</p> <p data-bbox="343 1512 454 1534"><b>Controls:</b></p> <p data-bbox="343 1545 813 1579">Relay: with relay</p> <p data-bbox="343 1601 430 1624"><b>Liquid:</b></p> <p data-bbox="343 1635 837 1758">Pumped liquid: Water  Liquid temperature range: 14 .. 248 °F  Liquid temperature during operation: 140 °F  Density: 61.35 lb/ft<sup>3</sup></p> <p data-bbox="343 1780 470 1803"><b>Technical:</b></p> <p data-bbox="343 1814 853 1904">Actual calculated flow: 32.9 US gpm  Resulting head of the pump: 18.09 ft  Approvals on nameplate: CUL</p> <p data-bbox="343 1926 462 1948"><b>Materials:</b></p> <p data-bbox="343 1960 949 2105">Pump housing: Bronze  DIN W.-Nr. 2.1176.01  Impeller: Stainless steel  DIN W.-Nr. 1.4301  AISI 304</p>



Company name:

Created by:

Phone:

Date:

2/21/2018

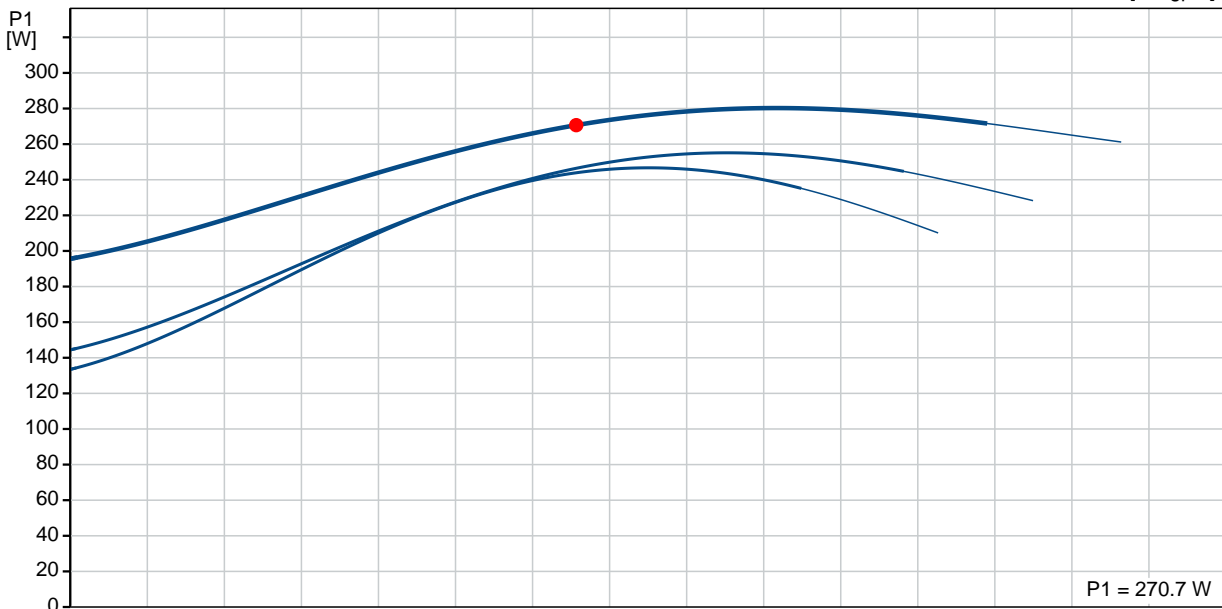
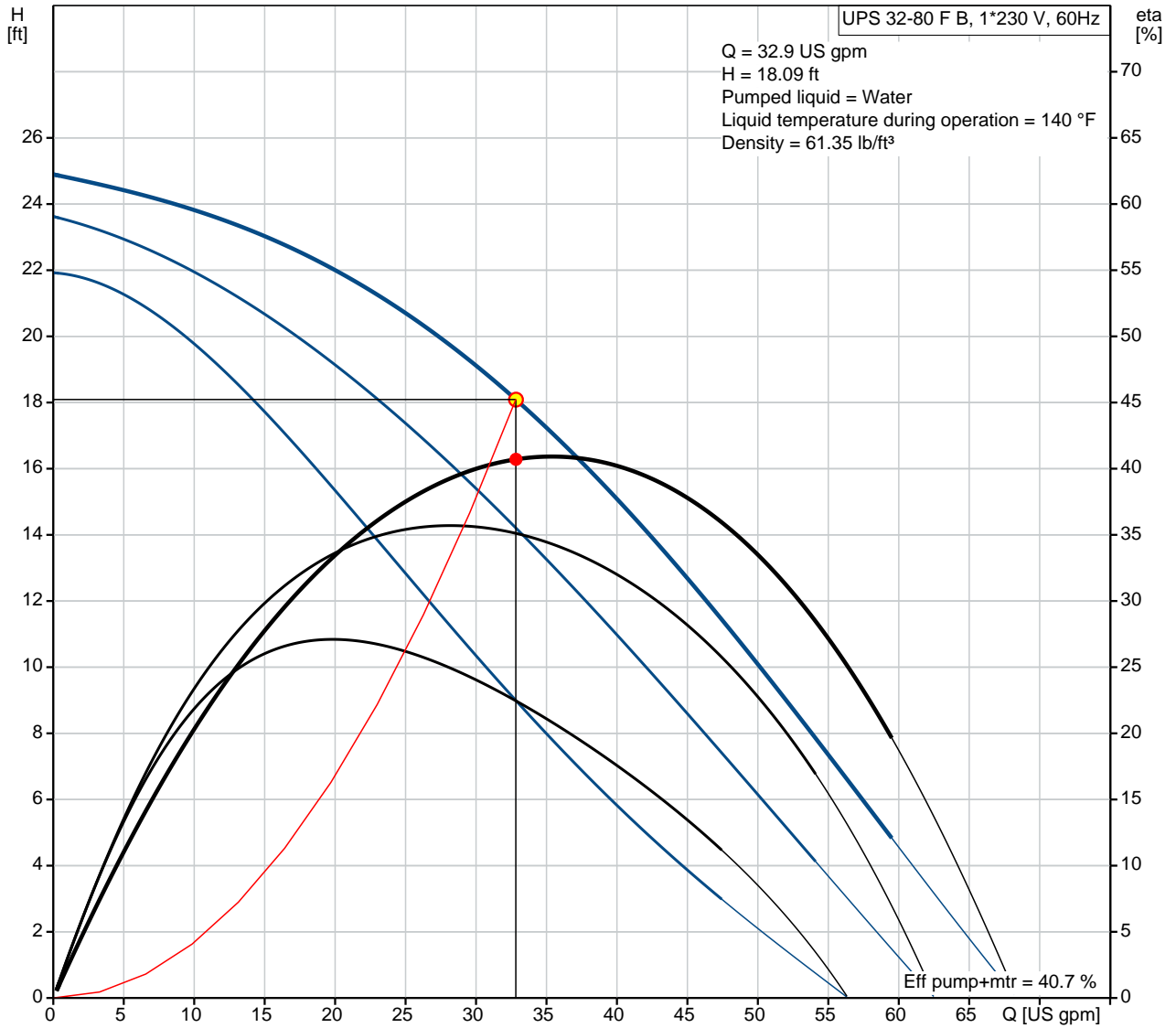
Position	Count	Description
		<p><b>Installation:</b> Range of ambient temperature: 32 .. 104 °F Maximum operating pressure: 145 psi Flange standard: USA Oval Type of connection: F Pipe connection: GF 15/26 Pressure stage: 145 psi Port-to-port length: 11 in</p> <p><b>Electrical data:</b> Power input in speed 1: 250 W Power input in speed 2: 260 W Max. power input: 280 W Main frequency: 60 Hz Rated voltage: 1 x 230 V Current in speed 1: 1.26 A Current in speed 2: 1.26 A Current in speed 3: 1.34 A Cos phi in speed 1: 0,87 Cos phi in speed 2: 0,9 Cos phi: 0,92 Capacitor size - run: 8 µF/400 V Enclosure class (IEC 34-5): X4D Insulation class (IEC 85): F</p> <p><b>Others:</b> Net weight: 39.2 lb Gross weight: 46.7 lb Shipping volume: 2.08 ft<sup>3</sup></p>



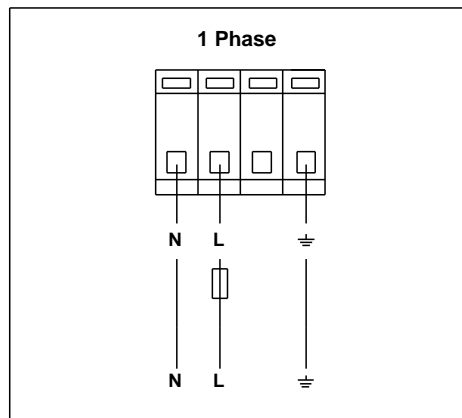
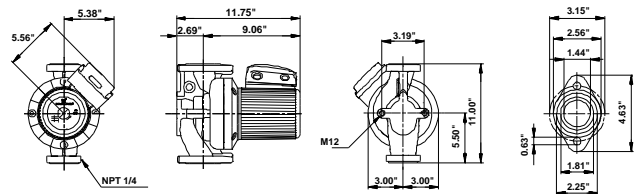
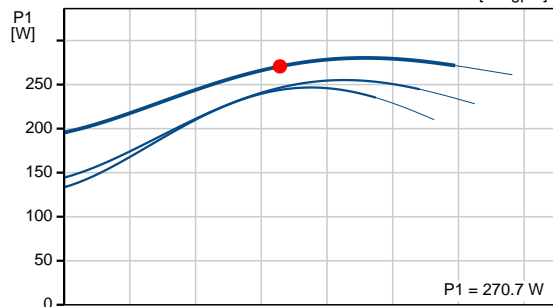
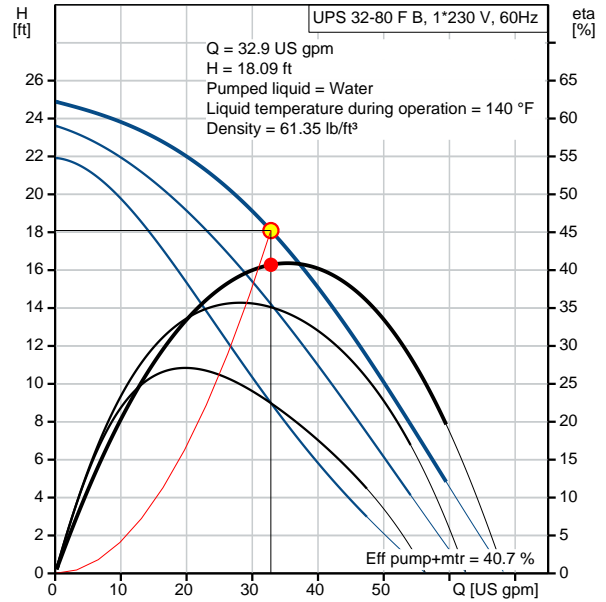
Company name:  
Created by:  
Phone:

Date: 2/21/2018

### 96402714 UPS 32-80 F B 60 Hz



Description	Value
<b>General information:</b>	
Product name:	UPS 32-80 F B
Product No.:	96402714
EAN:	5700390678616
<b>Technical:</b>	
Speed Number:	3
Actual calculated flow:	32.9 US gpm
Resulting head of the pump:	18.09 ft
Head max:	26.25 ft
Approvals on nameplate:	CUL
Model:	C
<b>Materials:</b>	
Pump housing:	Bronze DIN W.-Nr. 2.1176.01
Impeller:	Stainless steel DIN W.-Nr. 1.4301 AISI 304
<b>Installation:</b>	
Range of ambient temperature:	32 .. 104 °F
Maximum operating pressure:	145 psi
Flange standard:	USA Oval
Type of connection:	F
Pipe connection:	GF 15/26
Pressure stage:	145 psi
Port-to-port length:	11 in
<b>Liquid:</b>	
Pumped liquid:	Water
Liquid temperature range:	14 .. 248 °F
Liquid temperature during operation:	140 °F
Density:	61.35 lb/ft³
<b>Electrical data:</b>	
Power input in speed 1:	250 W
Power input in speed 2:	260 W
Max. power input:	280 W
Main frequency:	60 Hz
Rated voltage:	1 x 230 V
Current in speed 1:	1.26 A
Current in speed 2:	1.26 A
Current in speed 3:	1.34 A
Cos phi in speed 1:	0,87
Cos phi in speed 2:	0,9
Cos phi:	0,92
Capacitor size - run:	8 µF/400 V
Enclosure class (IEC 34-5):	X4D
Insulation class (IEC 85):	F
Motor protection:	CONTACT
Thermal protec:	internal
R a:	19.4 - 25.5 ohm
R s1:	5.45 - 7.1 ohm
R s2:	12.6 - 16.4 ohm
<b>Controls:</b>	
Relay:	with relay
Pos term box:	1.30H







Company name:

Created by:

Phone:

Date: 2/21/2018

Description	Value
-------------	-------

**Others:**

Net weight:	39.2 lb
Gross weight:	46.7 lb
Shipping volume:	2.08 ft <sup>3</sup>
Sales region:	Namreg



Company name:

Created by:

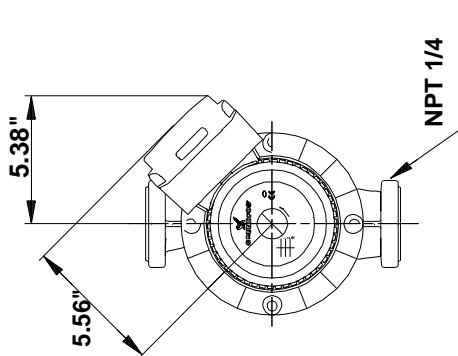
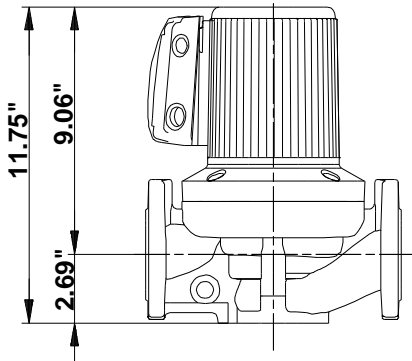
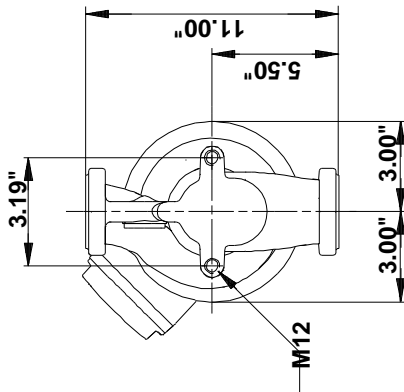
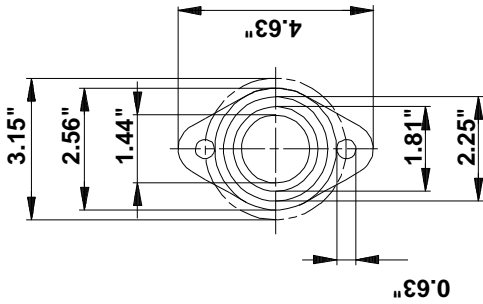
Phone:

Date:

2/21/2018

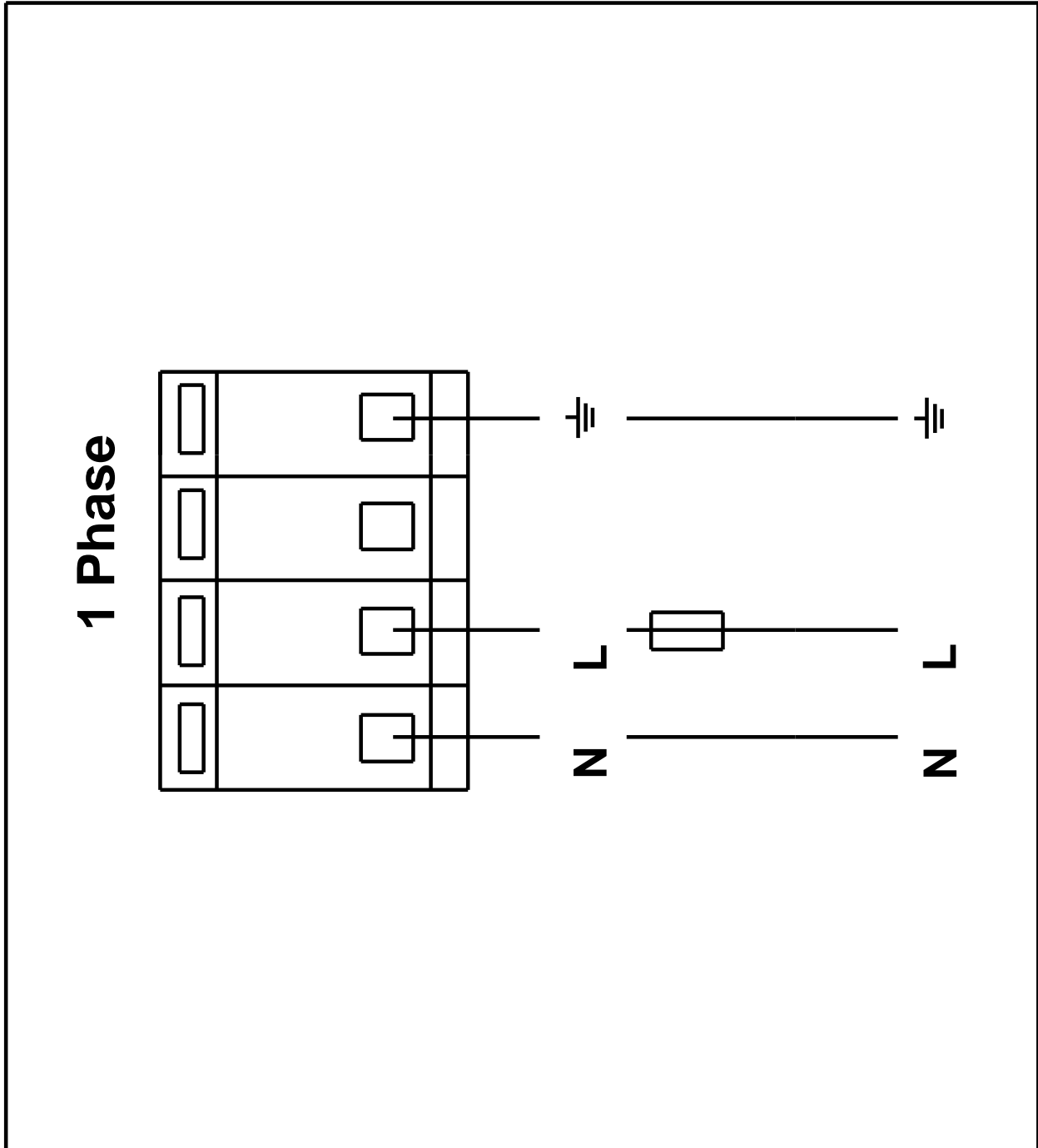
**96402714 UPS 32-80 F B 60 Hz**

## 96402714 UPS 32-80 F B 60 Hz



Note! All units are in [mm] unless otherwise stated.  
Disclaimer: This simplified dimensional drawing does not show all details.

**96402714 UPS 32-80 F B 60 Hz**



All units are [mm] unless otherwise presented.



Company name:

Created by:

Phone:

Date: 2/21/2018

---

**Order Data:**

Product name: UPS 32-80 F B

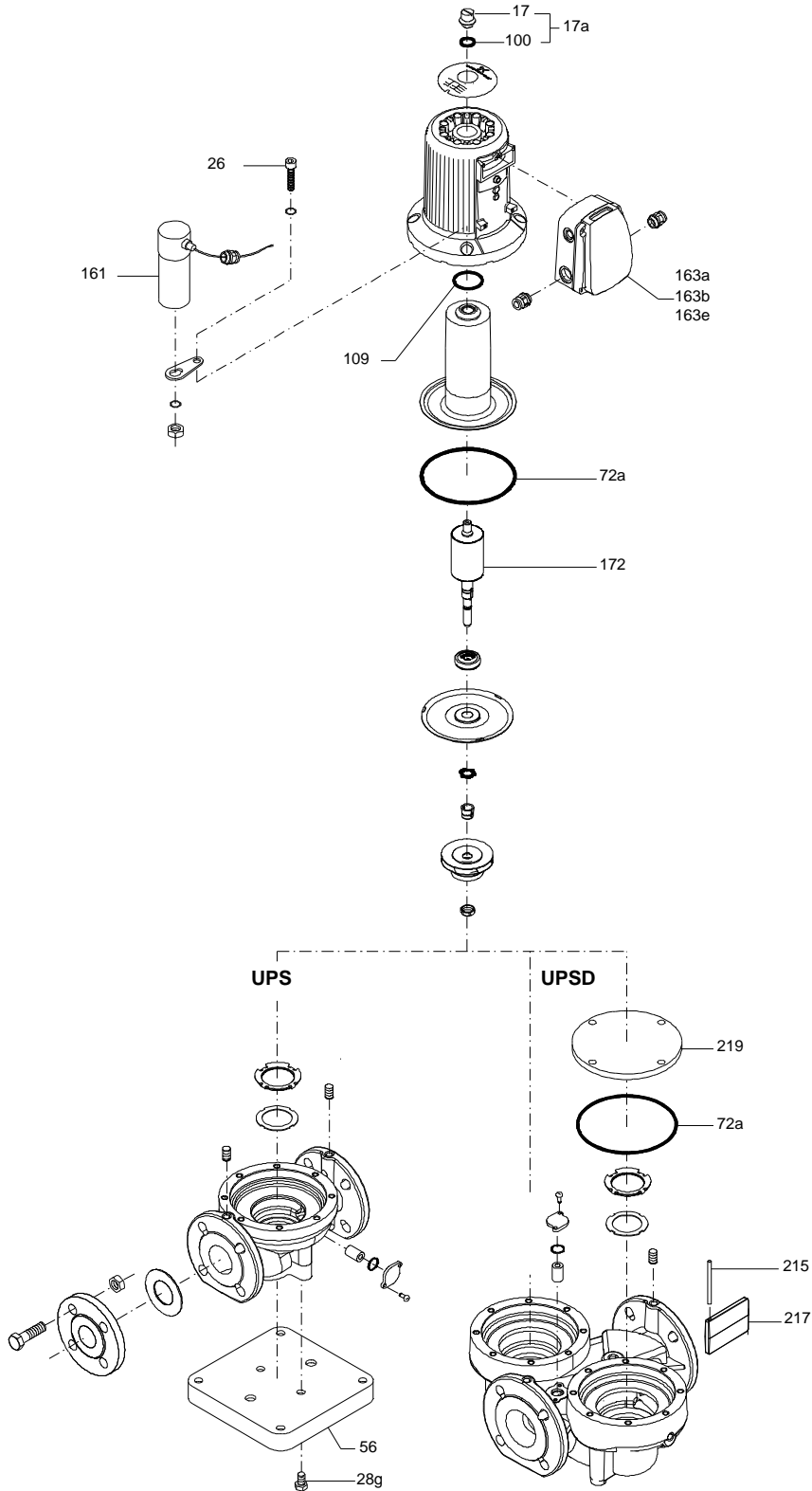
Amount: 1

Product No.: 96402714

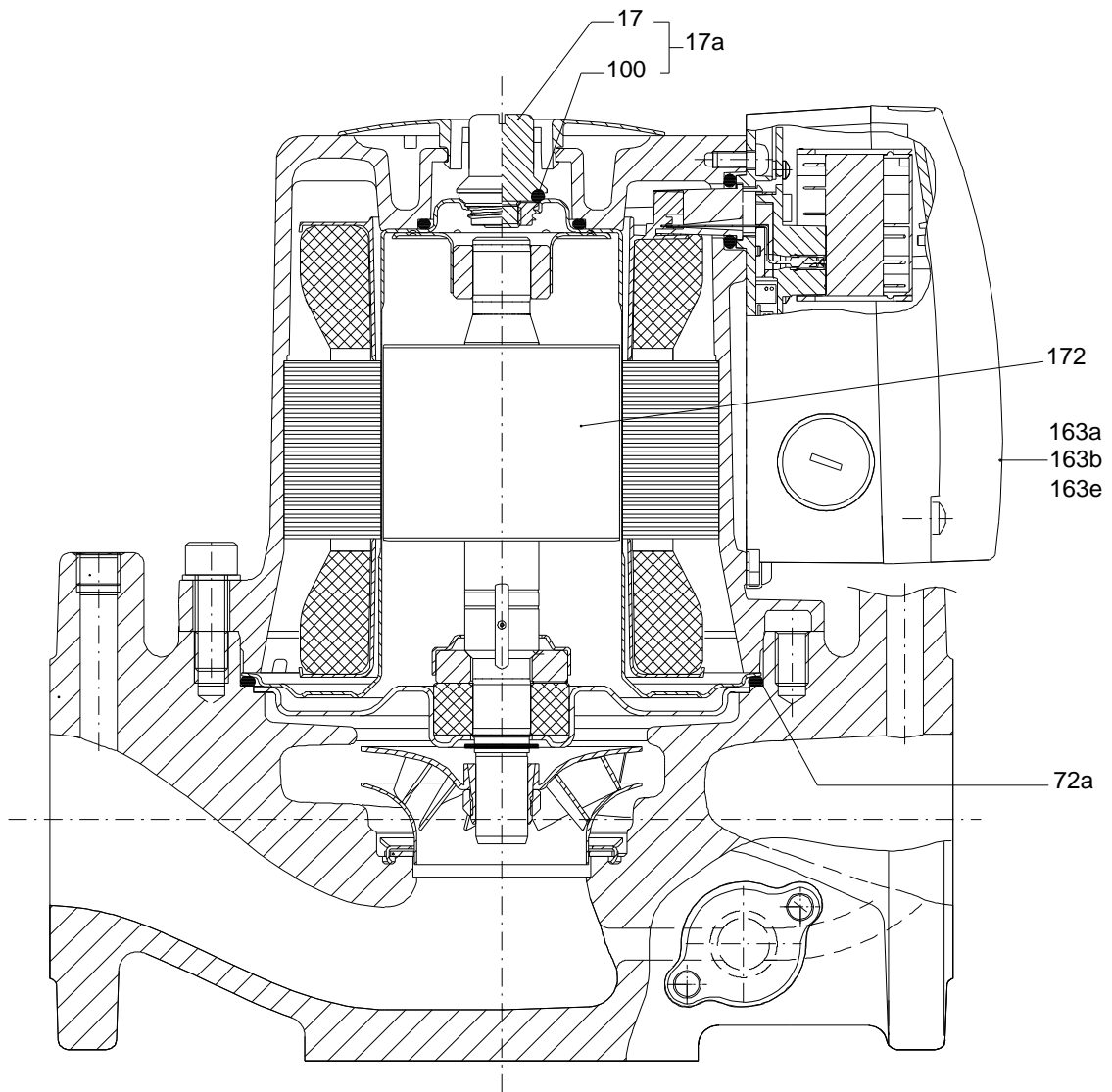
Total: Price on request

---

## Exploded view (TM010410 3905)



Sectional drawing (TM010371 3905)





Company name:

Created by:

Phone:

Date:

2/21/2018

**Parts list UPS 32-80 F B, Prod number 96402714**

**Valid from 1.4.1995 (9513)**

Position	Description	Annotation	Classification data	Part No.	Count	Unit
	Capacitor cpl.				1	pcs
- 50	Pump housing w/pipe plug				1	pcs
6	Pump housing				1	
19	Pipe plug				2	
65	Neck ring				1	
163a	Terminal box cpl.		Designation: WITH RELAY MODULE		1	pcs
163b	Terminal box cpl.		Designation: WITH STANDARD MODULE		1	pcs
163e	Terminal box cpl.		Designation: W. PROTECTION MODULE		1	pcs