

PROJECT: _____	UNIT TAG: _____	QUANTITY: _____
REPRESENTATIVE: _____	TYPE OF SERVICE: _____	DATE: _____
ENGINEER: _____	SUBMITTED BY: _____	DATE: _____
CONTRACTOR: _____	APPROVED BY: _____	DATE: _____
	ORDER NO.: _____	DATE: _____

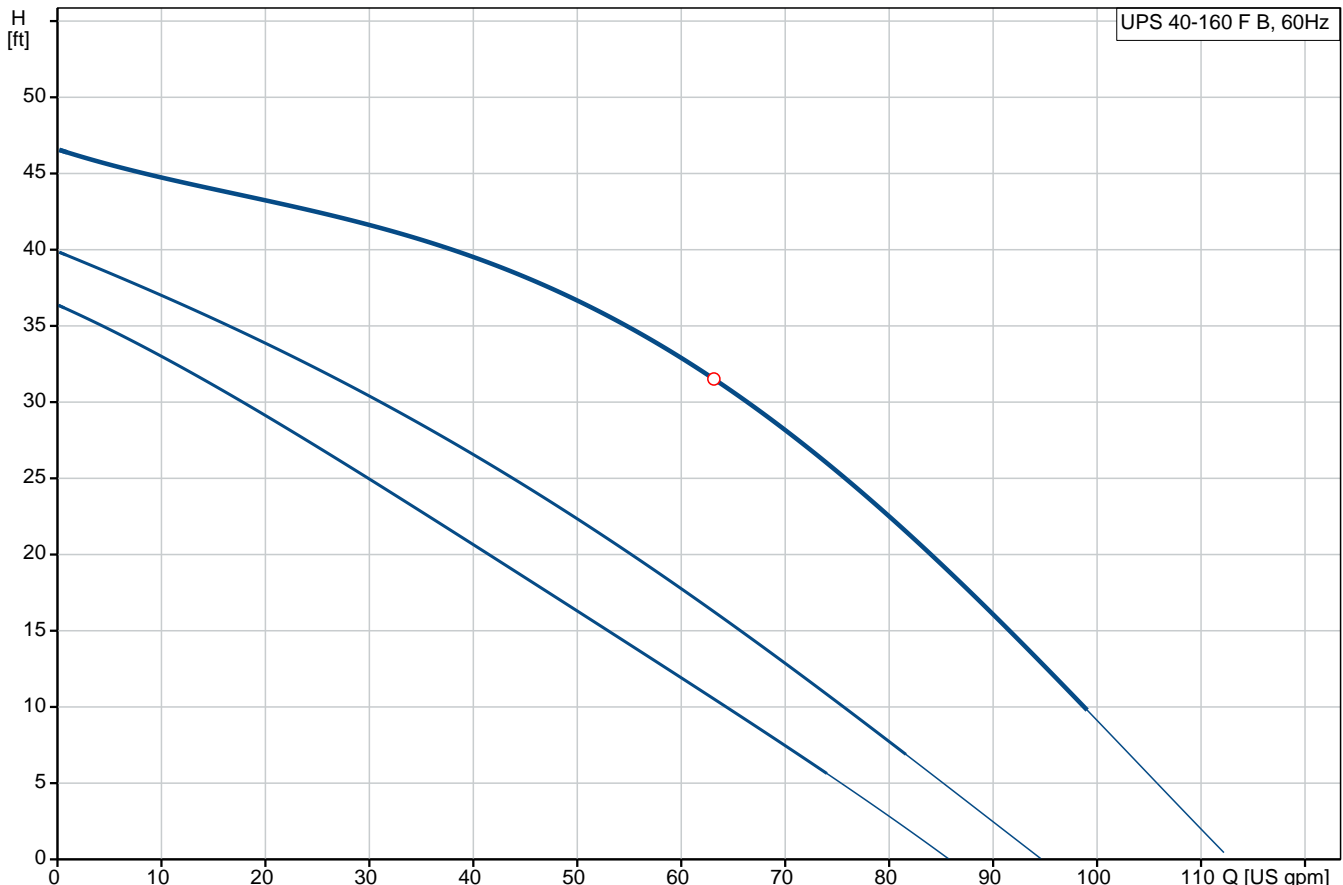


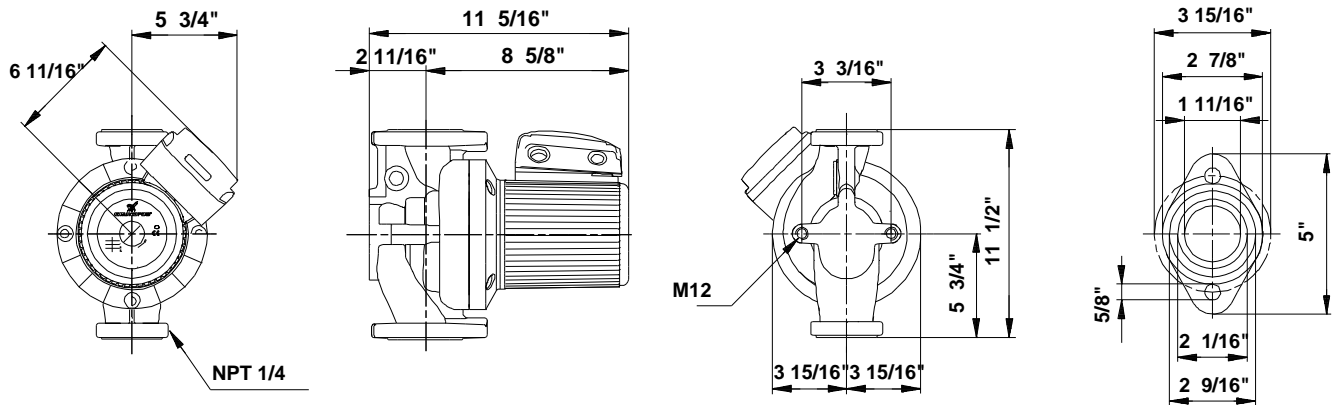
## UPS 40-160 F B

Circulator pumps

Product photo could vary from the actual product

Conditions of Service	Pump Data	Motor Data
Flow: _____	Maximum operating pressure: 145 psi	Max. power input: 800 W
Head: _____	Liquid temperature range: 14 .. 248 °F	Rated voltage: 208-230 V
Efficiency: _____	Maximum ambient temperature: 104 °F	Main frequency: 60 Hz
Liquid: Water	Approvals: CUL	Enclosure class: X4D
Temperature: 140 °F	Type of connection: F	Insulation class: H
NPSH required: ft	Flange standard: USA Oval	Motor protection: CONTACT
Viscosity: _____	Pipe connection: GF 40/43	Thermal protection: external
Specific Gravity: 0.985	Product number: 96402789	





**Materials:**

Pump housing: Bronze  
 DIN W.-Nr. 2.1176.01

Impeller: Stainless steel  
 DIN W.-Nr. 1.4301  
 AISI 304

## Tender Text



Product photo could vary from the actual product

Product No.: [96402789](#)

### UPS 40-160 F B

The pump is of the canned rotor type, i.e. pump and motor form an integral unit without shaft seal and with only two gaskets for sealing. The bearings are lubricated by the pumped liquid.

In order to avoid problems in connection with disposal, great importance has been attached to using as few different materials as possible.

The pump is characterized by:

- \* 3 speed motor.
- \* Ceramic radial bearings.
- \* Carbon axial bearing.
- \* Stainless steel rotor can, bearing plate and rotor cladding.
- \* Aluminium alloy stator housing.
- \* Bronze pump housing.
- \* Stator with built-in thermal switch.

The motor is a 3-phase motor.

The pump is supplied with a standard module in the terminal box.

The standard module is to be connected to the mains supply via external contactor.

### Controls:

Relay: without relay

### Liquid:

Pumped liquid: Water  
Liquid temperature range: 14 .. 248 °F  
Liquid temperature during operation: 140 °F  
Density: 61.35 lb/ft<sup>3</sup>

### Technical:

Approvals on nameplate: CUL

### Materials:

Pump housing: Bronze  
DIN W.-Nr. 2.1176.01  
Impeller: Stainless steel  
DIN W.-Nr. 1.4301  
AISI 304

**Installation:**


Range of ambient temperature: 32 .. 104 °F  
Maximum operating pressure: 145 psi  
Flange standard: USA Oval  
Type of connection: F  
Pipe connection: GF 40/43  
Pressure stage: 145 psi  
Port-to-port length: 11 1/2 in

**Electrical data:**

Power input in speed 1: 500 W  
Power input in speed 2: 570 W  
Max. power input: 800 W  
Main frequency: 60 Hz  
Rated voltage: 3 x 208-230 V  
Current in speed 1: 1.55 A  
Current in speed 2: 1.75 A  
Current in speed 3: 2.5 A  
Cos phi in speed 1: 0,81  
Cos phi in speed 2: 0,82  
Cos phi: 0,8  
Enclosure class (IEC 34-5): X4D  
Insulation class (IEC 85): H  
Winding resistance: 22.8 - 30.0 ohm

**Others:**

Net weight: 49.8 lb  
Gross weight: 58.6 lb  
Shipping volume: 3.46 ft<sup>3</sup>

Position	Count	Description
	1	<p data-bbox="343 338 526 365"><b>UPS 40-160 F B</b></p> <div data-bbox="406 380 662 694" style="text-align: center;">  </div> <p data-bbox="734 683 1189 705" style="text-align: center;">Product photo could vary from the actual product</p> <p data-bbox="343 712 606 739">Product No.: <a href="#">96402789</a></p> <p data-bbox="343 743 869 862">The pump is of the canned rotor type, i.e. pump and motor form an integral unit without shaft seal and with only two gaskets for sealing. The bearings are lubricated by the pumped liquid.</p> <p data-bbox="343 891 869 974">In order to avoid problems in connection with disposal, great importance has been attached to using as few different materials as possible.</p> <p data-bbox="343 1008 678 1034">The pump is characterized by:</p> <ul data-bbox="375 1039 837 1276" style="list-style-type: none"> <li>* 3 speed motor.</li> <li>* Ceramic radial bearings.</li> <li>* Carbon axial bearing.</li> <li>* Stainless steel rotor can, bearing plate and rotor cladding.</li> <li>* Aluminium alloy stator housing.</li> <li>* Bronze pump housing.</li> <li>* Stator with built-in thermal switch.</li> </ul> <p data-bbox="343 1305 678 1332">The motor is a 3-phase motor.</p> <p data-bbox="343 1366 853 1485">The pump is supplied with a standard module in the terminal box. The standard module is to be connected to the mains supply via external contactor.</p> <p data-bbox="343 1514 454 1541"><b>Controls:</b></p> <p data-bbox="343 1545 845 1572">Relay: without relay</p> <p data-bbox="343 1601 422 1628"><b>Liquid:</b></p> <p data-bbox="343 1632 837 1751">Pumped liquid: Water  Liquid temperature range: 14 .. 248 °F  Liquid temperature during operation: 140 °F  Density: 61.35 lb/ft<sup>3</sup></p> <p data-bbox="343 1780 470 1807"><b>Technical:</b></p> <p data-bbox="343 1812 758 1839">Approvals on nameplate: CUL</p> <p data-bbox="343 1868 462 1895"><b>Materials:</b></p> <p data-bbox="343 1899 941 2049">Pump housing: Bronze  DIN W.-Nr. 2.1176.01  Impeller: Stainless steel  DIN W.-Nr. 1.4301  AISI 304</p> <p data-bbox="343 2078 486 2105"><b>Installation:</b></p>



Company name:

Created by:

Phone:

Date:

2/21/2018

Position	Count	Description
		Range of ambient temperature: 32 .. 104 °F Maximum operating pressure: 145 psi Flange standard: USA Oval Type of connection: F Pipe connection: GF 40/43 Pressure stage: 145 psi Port-to-port length: 11 1/2 in  <b>Electrical data:</b> Power input in speed 1: 500 W Power input in speed 2: 570 W Max. power input: 800 W Main frequency: 60 Hz Rated voltage: 3 x 208-230 V Current in speed 1: 1.55 A Current in speed 2: 1.75 A Current in speed 3: 2.5 A Cos phi in speed 1: 0,81 Cos phi in speed 2: 0,82 Cos phi: 0,8 Enclosure class (IEC 34-5): X4D Insulation class (IEC 85): H Winding resistance: 22.8 - 30.0 ohm  <b>Others:</b> Net weight: 49.8 lb Gross weight: 58.6 lb Shipping volume: 3.46 ft <sup>3</sup>



Company name:

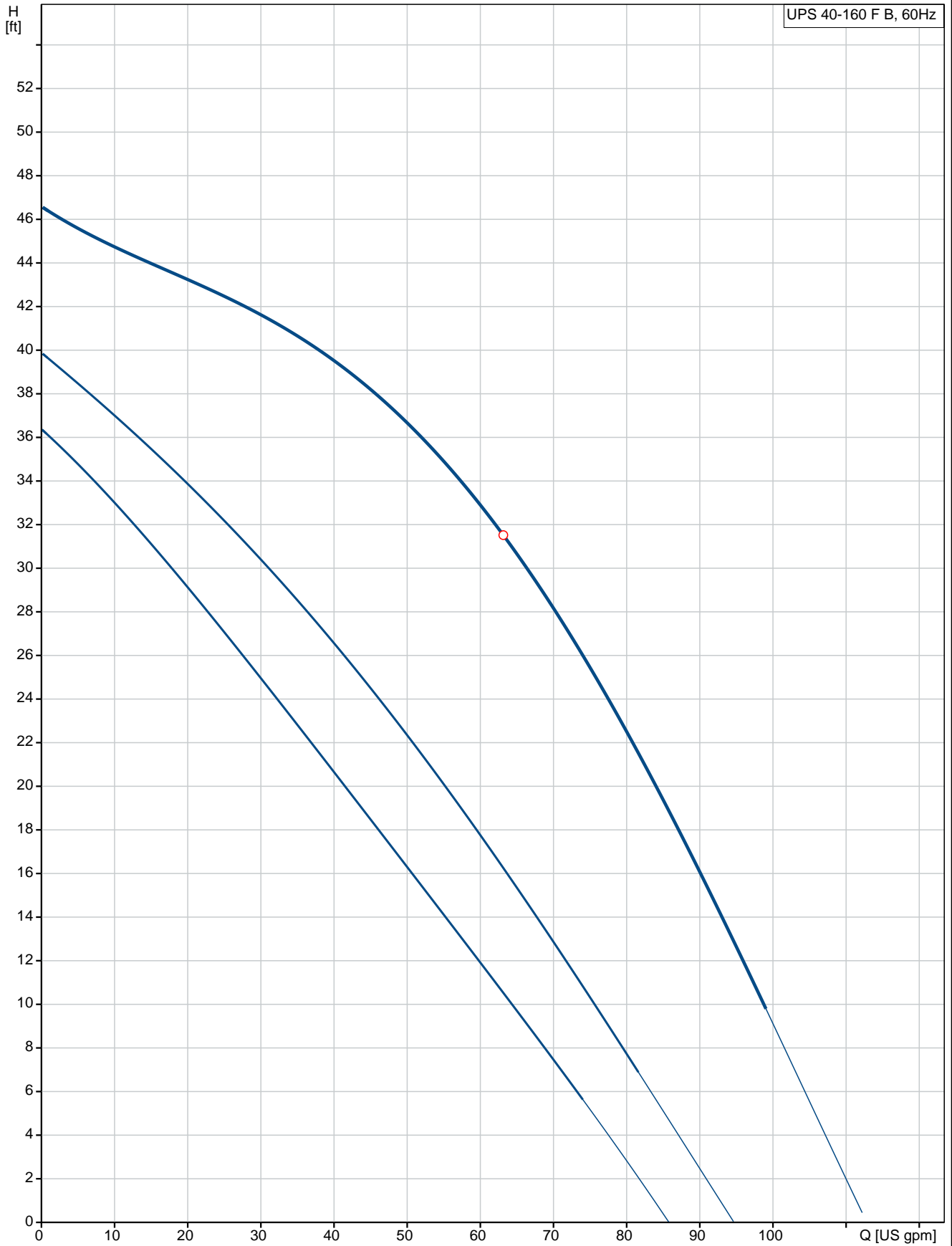
Created by:

Phone:

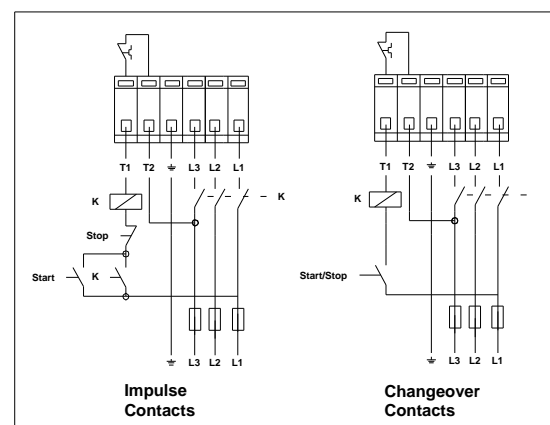
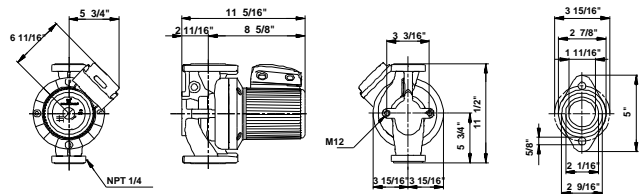
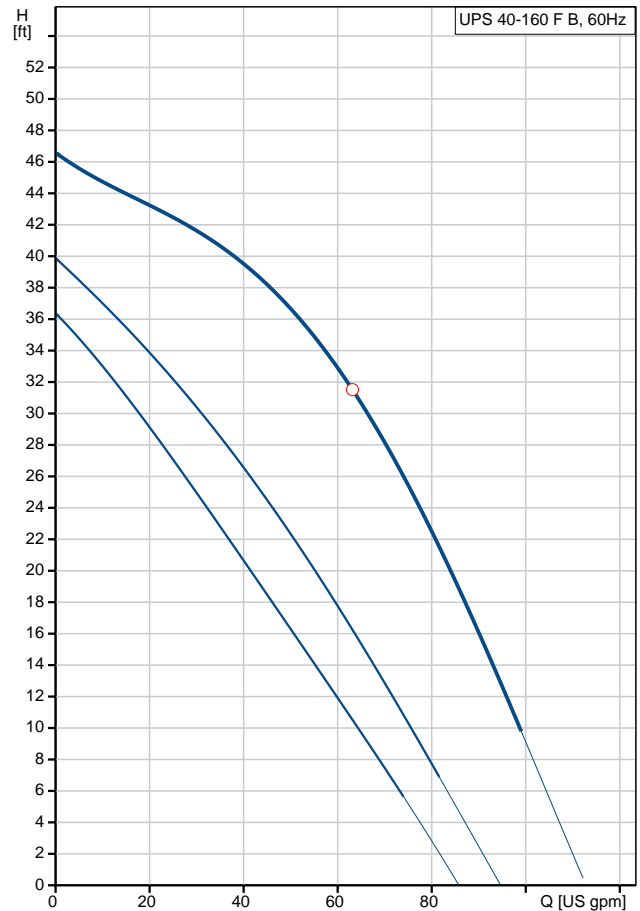
Date:

2/21/2018

## 96402789 UPS 40-160 F B 60 Hz



Description	Value
<b>General information:</b>	
Product name:	UPS 40-160 F B
Product No.:	96402789
EAN:	5700390681470
<b>Technical:</b>	
Speed Number:	3
Head max:	52.5 ft
Approvals on nameplate:	CUL
Model:	C
<b>Materials:</b>	
Pump housing:	Bronze
	DIN W.-Nr. 2.1176.01
Impeller:	Stainless steel
	DIN W.-Nr. 1.4301
	AISI 304
<b>Installation:</b>	
Range of ambient temperature:	32 .. 104 °F
Maximum operating pressure:	145 psi
Flange standard:	USA Oval
Type of connection:	F
Pipe connection:	GF 40/43
Pressure stage:	145 psi
Port-to-port length:	11 1/2 in
<b>Liquid:</b>	
Pumped liquid:	Water
Liquid temperature range:	14 .. 248 °F
Liquid temperature during operation:	140 °F
Density:	61.35 lb/ft³
<b>Electrical data:</b>	
Power input in speed 1:	500 W
Power input in speed 2:	570 W
Max. power input:	800 W
Main frequency:	60 Hz
Rated voltage:	3 x 208-230 V
Current in speed 1:	1.55 A
Current in speed 2:	1.75 A
Current in speed 3:	2.5 A
Cos phi in speed 1:	0,81
Cos phi in speed 2:	0,82
Cos phi:	0,8
Enclosure class (IEC 34-5):	X4D
Insulation class (IEC 85):	H
Motor protection:	CONTACT
Thermal protec:	external
Winding resistance:	22.8 - 30.0 ohm
<b>Controls:</b>	
Relay:	without relay
Pos term box:	1.30H
<b>Others:</b>	
Net weight:	49.8 lb
Gross weight:	58.6 lb
Shipping volume:	3.46 ft³







Company name:

Created by:

Phone:

Date:

2/21/2018

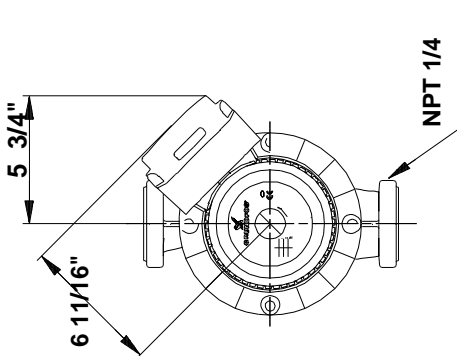
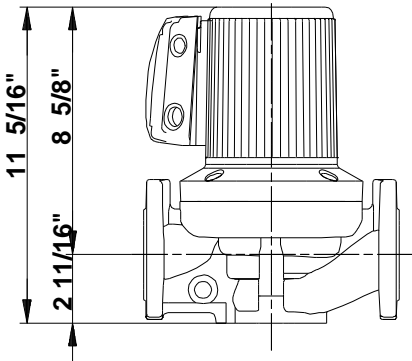
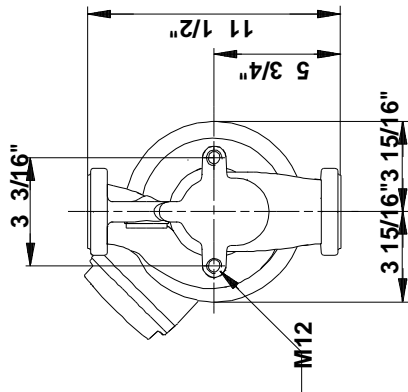
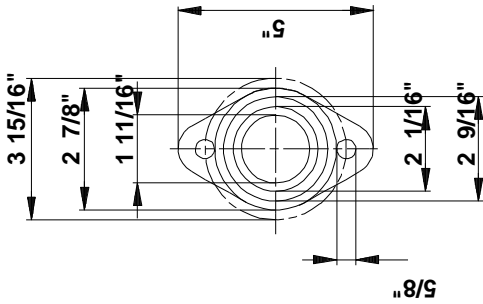
**Description**

**Value**

Sales region:

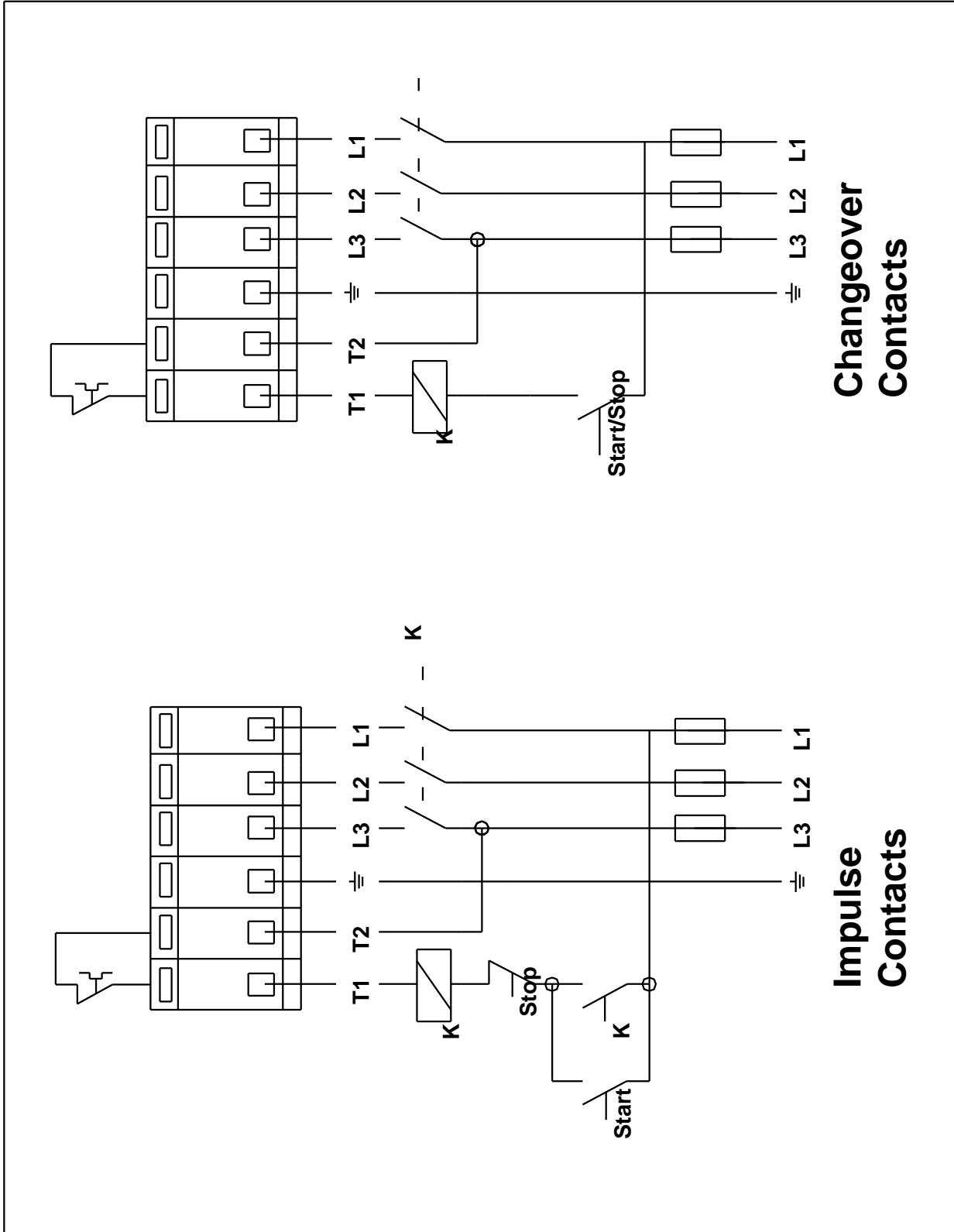
Namreg

## 96402789 UPS 40-160 F B 60 Hz



Note! All units are in [mm] unless otherwise stated.  
Disclaimer: This simplified dimensional drawing does not show all details.

## 96402789 UPS 40-160 F B 60 Hz



All units are [mm] unless otherwise presented.



Company name:

Created by:

Phone:

Date: 2/21/2018

---

**Order Data:**

Product name: UPS 40-160 F B

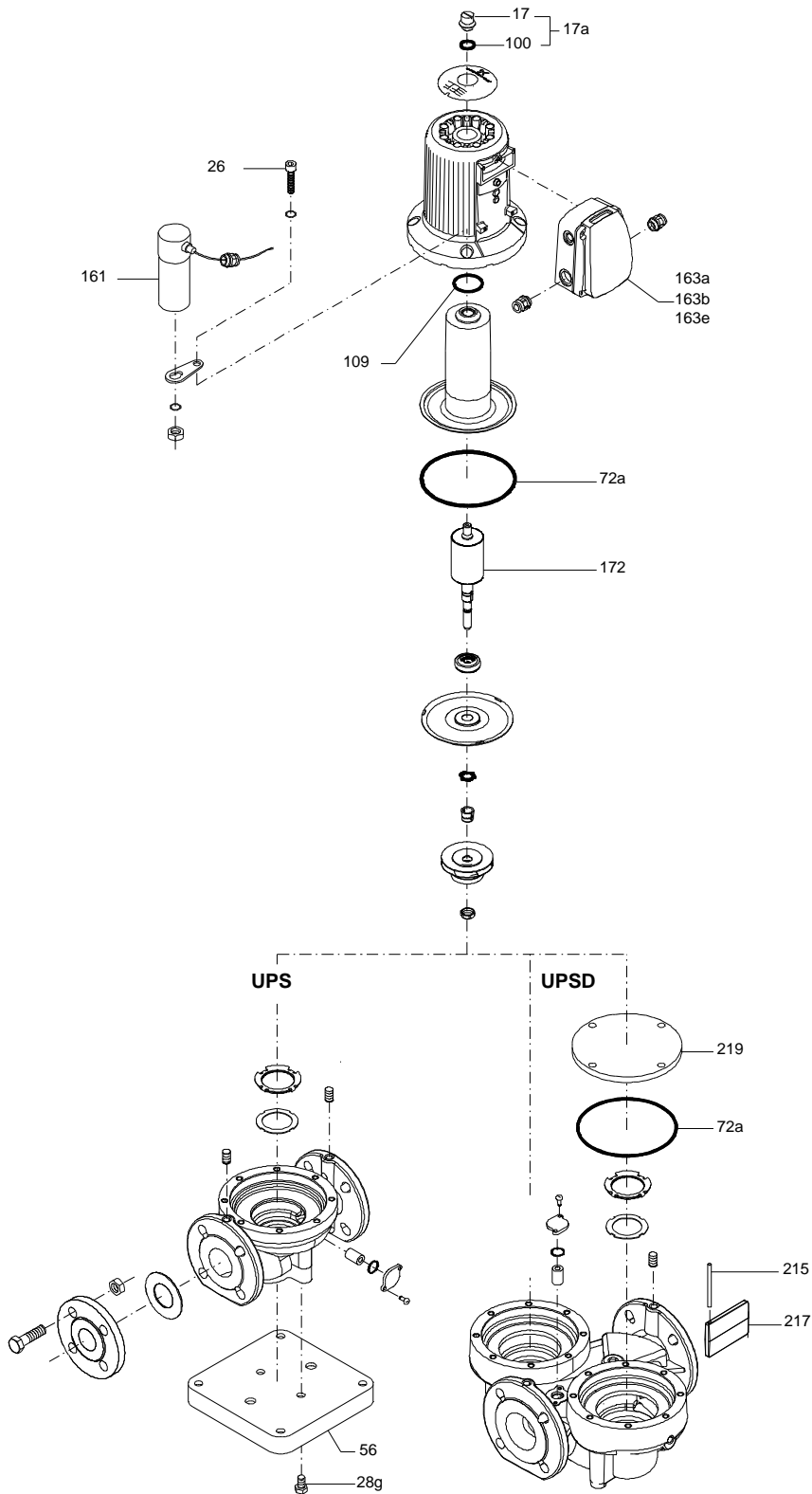
Amount: 1

Product No.: 96402789

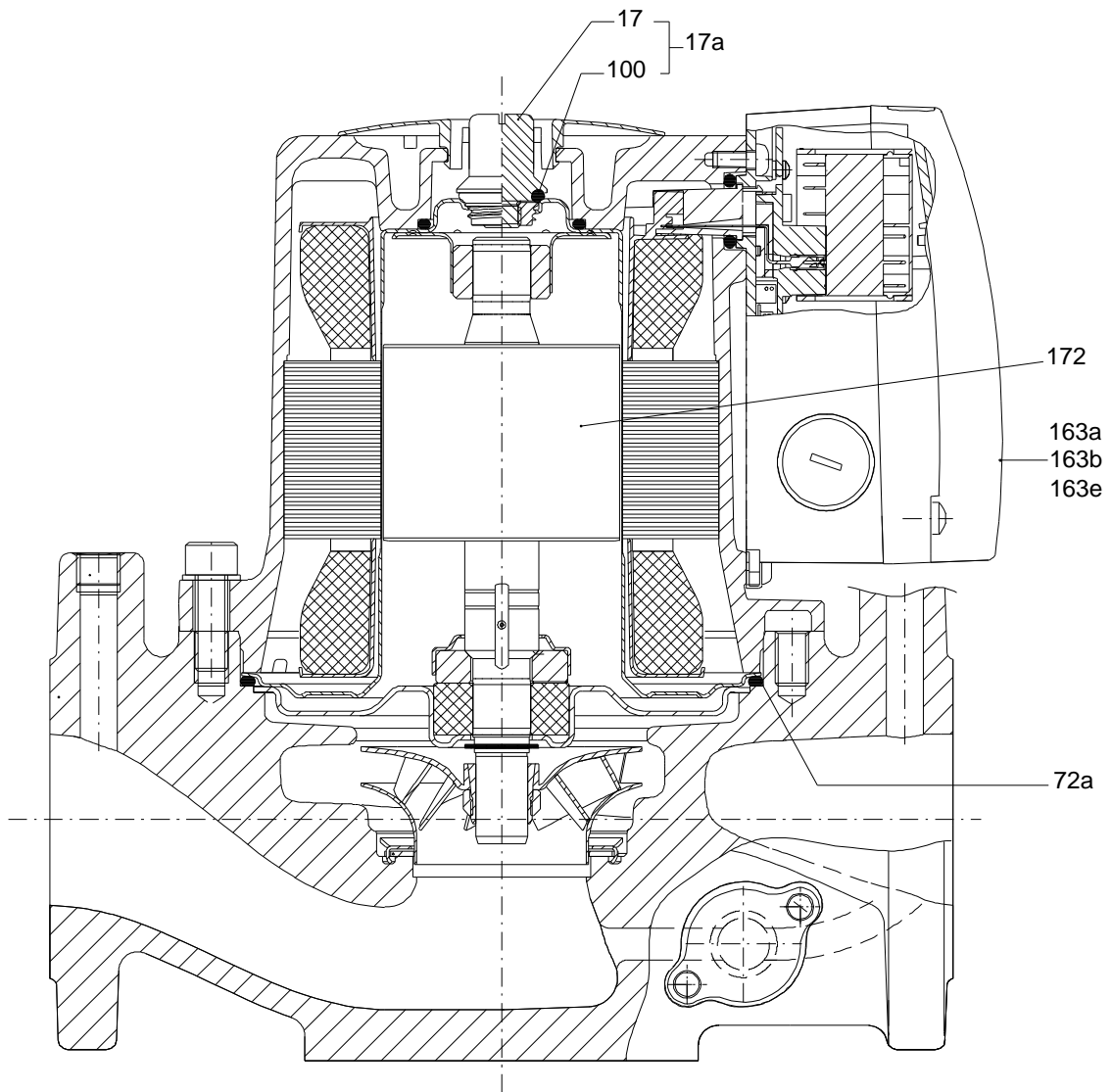
Total: Price on request

---

## Exploded view (TM010410 3905)



Sectional drawing (TM010371 3905)





Company name:

Created by:

Phone:

Date:

2/21/2018

**Parts list UPS 40-160 F B, Prod number 96402789**

**Valid from 1.4.1995 (9513)**

Position	Description	Annotation	Classification data	Part No.	Count	Unit
- 50	Pump housing w/pipe plug				1	pcs
6	Pump housing				1	
19	Pipe plug				2	
65	Neck ring				1	
163a	Terminal box cpl.		Designation: WITH RELAY MODULE		1	pcs
163b	Terminal box cpl.		Designation: WITH STANDARD MODULE		1	pcs
163e	Terminal box cpl.		Designation: W. PROTECTION MODULE		1	pcs