

PROJECT: _____	UNIT TAG: _____	QUANTITY: _____
REPRESENTATIVE: _____	TYPE OF SERVICE: _____	DATE: _____
ENGINEER: _____	SUBMITTED BY: _____	DATE: _____
CONTRACTOR: _____	APPROVED BY: _____	DATE: _____
	ORDER NO.: _____	DATE: _____

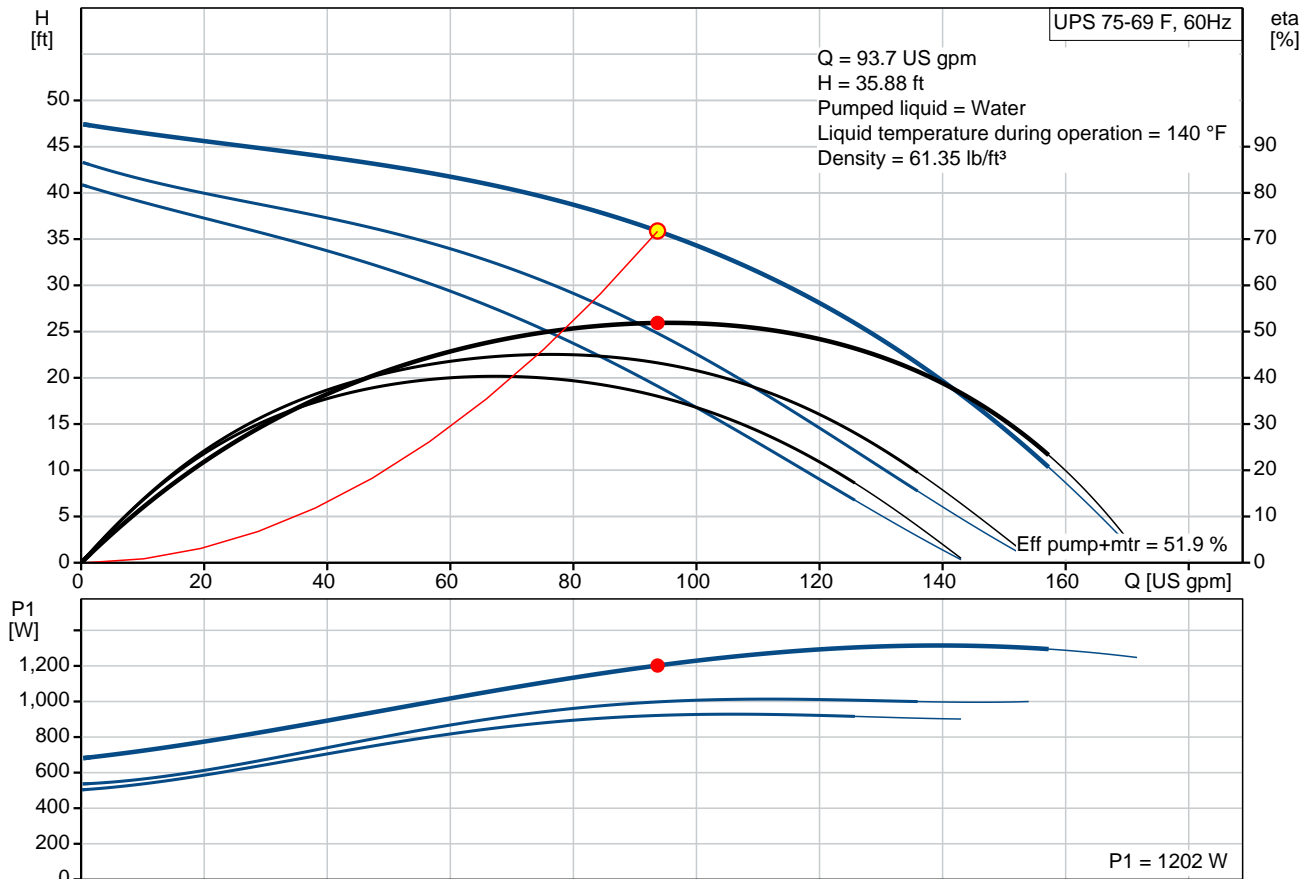


UPS 75-69 F

Circulator pumps

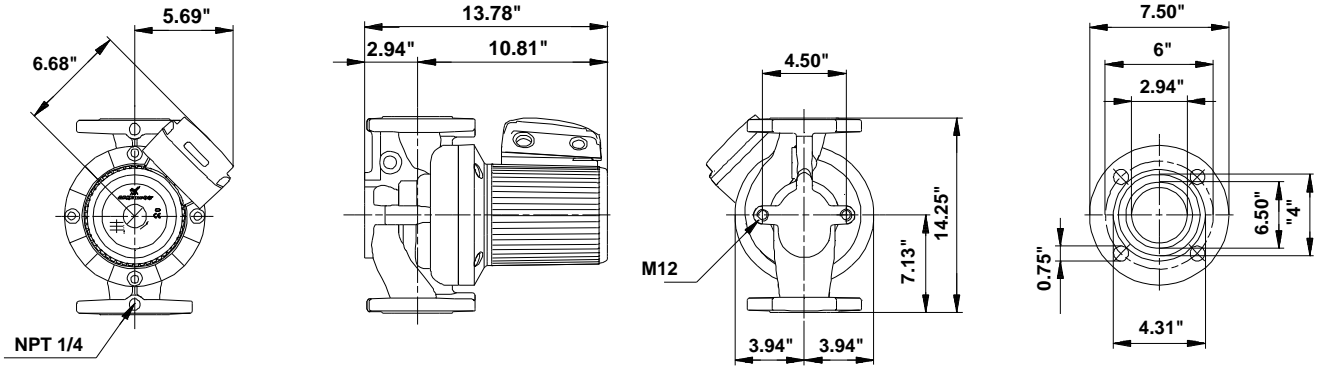
Product photo could vary from the actual product

Conditions of Service		Pump Data		Motor Data	
Flow:	93.7 US gpm	Maximum operating pressure:	145.04 psi	Max. power input:	1300 W
Head:	35.88 ft	Liquid temperature range:	14 .. 248 °F	Rated voltage:	208-230 V
Efficiency:	51.9 %	Maximum ambient temperature:	104 °F	Main frequency:	60 Hz
Liquid:	Water	Approvals:	CUL	Enclosure class:	X4D
Temperature:	140 °F	Type of connection:	F	Insulation class:	H
NPSH required:	ft	Flange standard:	USA	Motor protection:	CONTACT
Viscosity:	_____	Pipe connection:	GF 80	Thermal protection:	external
Specific Gravity:	0.985	Product number:	96654379		



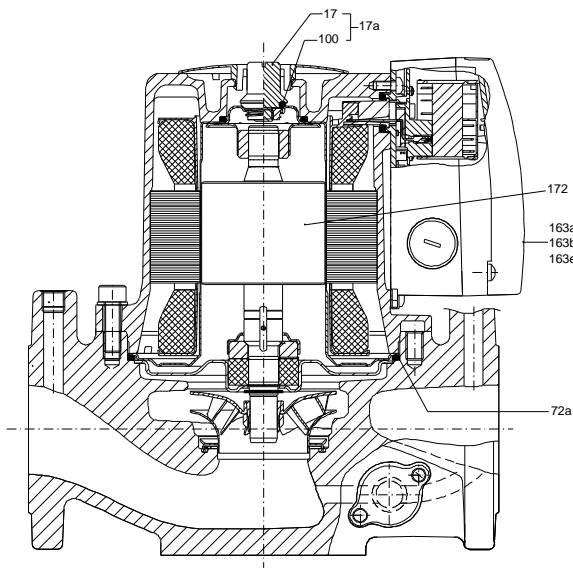
4


3



Materials:

- Pump housing: Cast iron
EN-JL1040
- ASTM 35 B - 40 B
- Impeller: Stainless steel
DIN W.-Nr. 1.4301
AISI 304



Count	Description
1	<p data-bbox="225 340 370 362">UPS 75-69 F</p>  <p data-bbox="619 683 1072 705">Product photo could vary from the actual product</p> <p data-bbox="225 714 491 739">Product No.: 96654379</p> <p data-bbox="225 743 758 860">The pump is of the canned rotor type, i.e. pump and motor form an integral unit without shaft seal and with only two gaskets for sealing. The bearings are lubricated by the pumped liquid.</p> <p data-bbox="225 893 758 976">In order to avoid problems in connection with disposal, great importance has been attached to using as few different materials as possible.</p> <p data-bbox="225 1010 560 1034">The pump is characterized by:</p> <ul data-bbox="264 1039 726 1274" style="list-style-type: none"> * 3 speed motor. * Ceramic radial bearings. * Carbon axial bearing. * Stainless steel rotor can, bearing plate and rotor cladding. * Aluminium alloy stator housing. * Cast iron pump housing. * Stator with built-in thermal switch. <p data-bbox="225 1308 560 1332">The motor is a 3-phase motor.</p> <p data-bbox="225 1366 742 1482">The pump is supplied with a standard module in the terminal box. The standard module is to be connected to the mains supply via external contactor.</p> <p data-bbox="225 1516 336 1541">Controls:</p> <p data-bbox="225 1545 730 1570">Relay: without relay</p> <p data-bbox="225 1603 312 1628">Liquid:</p> <p data-bbox="225 1632 659 1657">Pumped liquid: Water</p> <p data-bbox="225 1662 719 1686">Liquid temperature range: 14 .. 248 °F</p> <p data-bbox="225 1691 663 1715">Selected liquid temperature: 140 °F</p> <p data-bbox="225 1720 708 1744">Density: 61.35 lb/ft³</p> <p data-bbox="225 1778 352 1803">Technical:</p> <p data-bbox="225 1807 735 1832">Actual calculated flow: 93.7 US gpm</p> <p data-bbox="225 1836 676 1861">Resulting head of the pump: 35.88 ft</p> <p data-bbox="225 1865 639 1890">Approvals on nameplate: CUL</p> <p data-bbox="225 1924 344 1948">Materials:</p> <p data-bbox="225 1953 791 2045">Pump housing: Cast iron EN-JL1040 ASTM 35 B - 40 B</p> <p data-bbox="225 2049 791 2101">Impeller: Stainless steel DIN W.-Nr. 1.4301</p>



Company name:

Created by:

Phone:

Date:

4/11/2019

Count	Description
	AISI 304
	Installation:
	Range of ambient temperature: 32 .. 104 °F
	Maximum operating pressure: 145.04 psi
	Flange standard: USA
	Type of connection: F
	Pipe connection: GF 80
	Pressure stage: 145 psi
	Port-to-port length: 14 1/4 in
	Electrical data:
	Power input in speed 1: 1.274 HP
	Power input in speed 2: 1000 W
	Max. power input: 1300 W
	Main frequency: 60 Hz
	Rated voltage: 3 x 208-230 V
	Current in speed 1: 2.75 A
	Current in speed 2: 3 A
	Current in speed 3: 4 A
	Cos phi in speed 1: 0.87
	Cos phi in speed 2: 0.84
	Cos phi: 0.82
	Enclosure class (IEC 34-5): X4D
	Insulation class (IEC 85): H
	Others:
	Net weight: 53.6 lb
	Gross weight: 73.9 lb
	Shipping volume: 3.46 ft ³
	Country of origin: DE
	Custom tariff no.: 8413.70.2015



Company name:

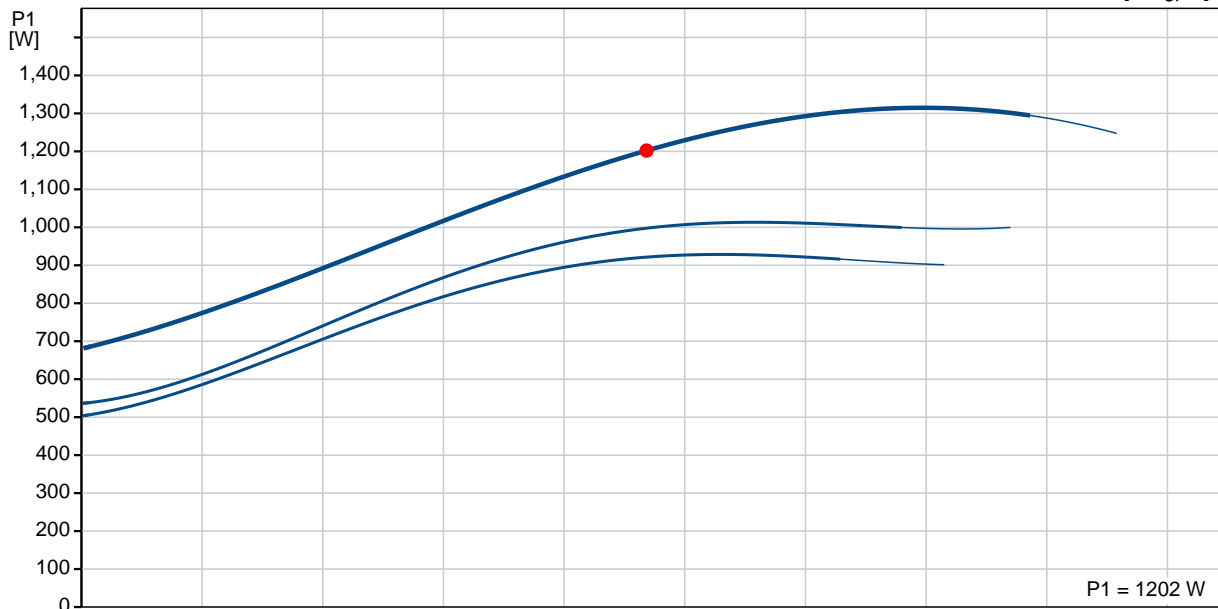
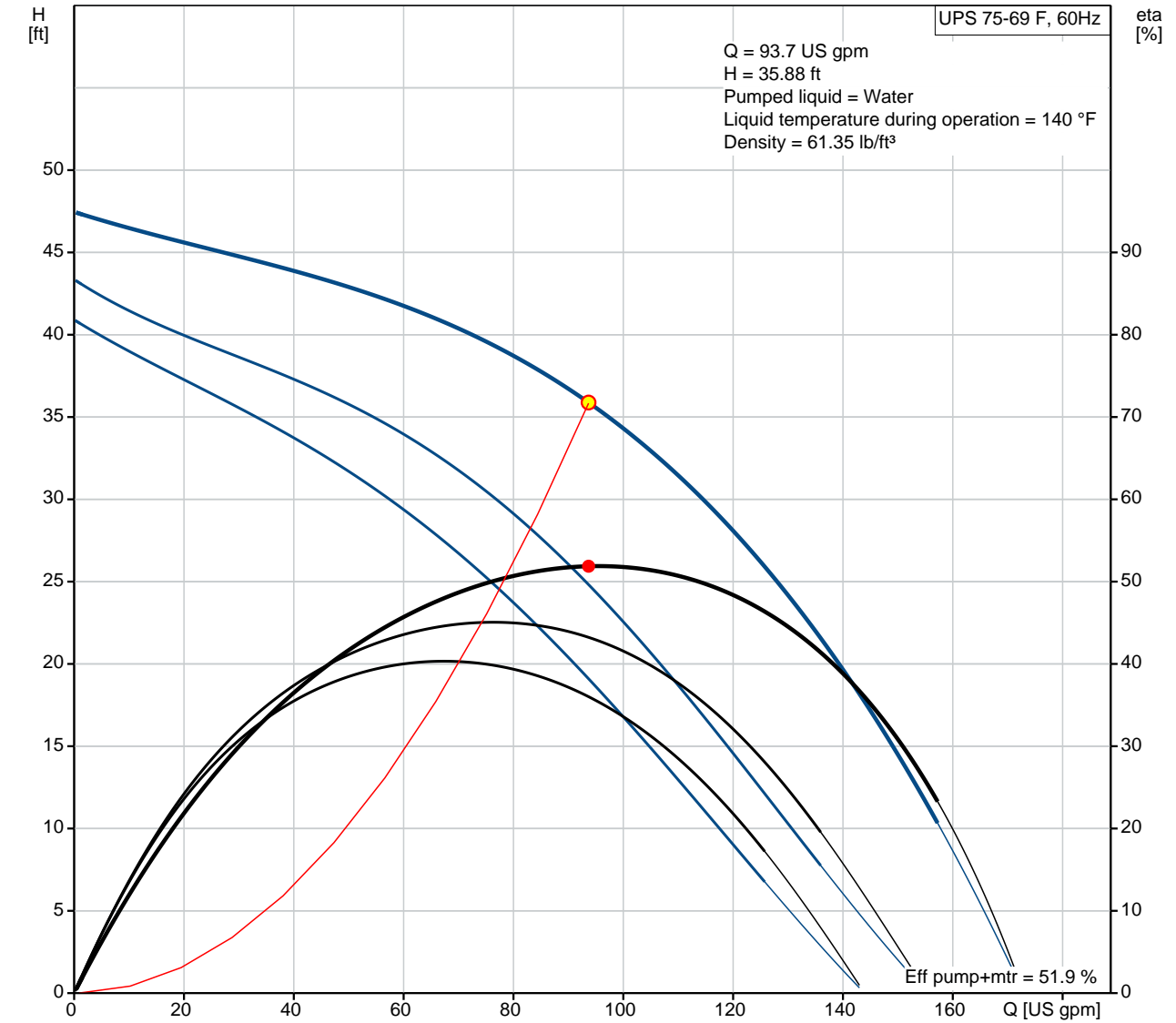
Created by:

Phone:

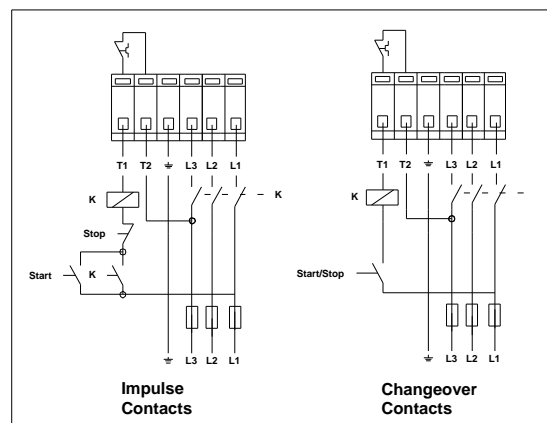
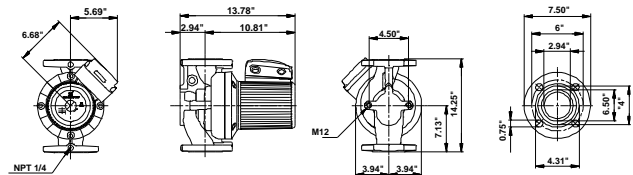
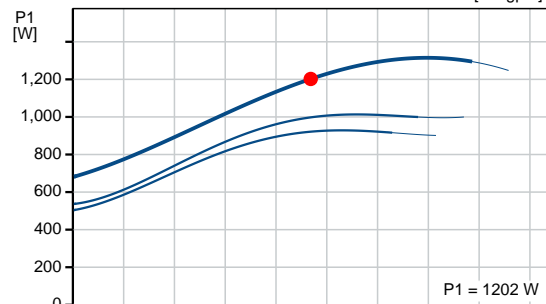
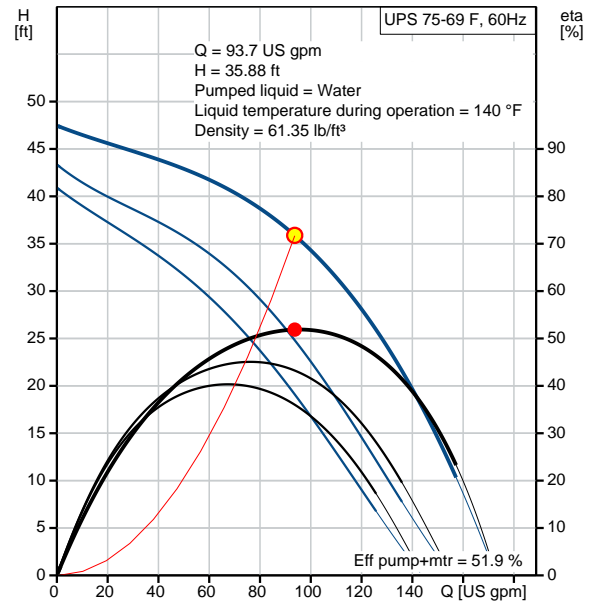
Date:

4/11/2019

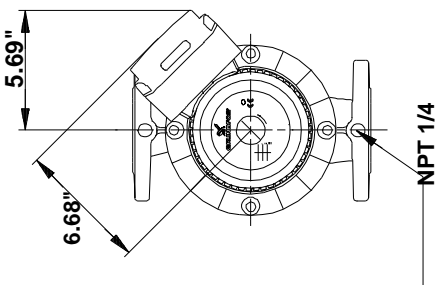
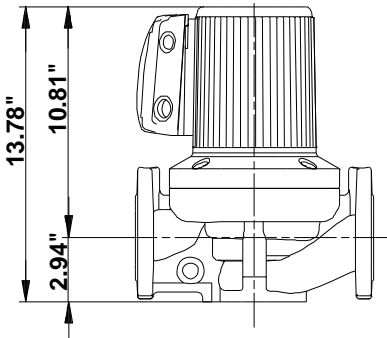
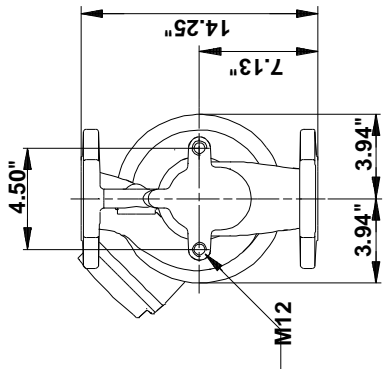
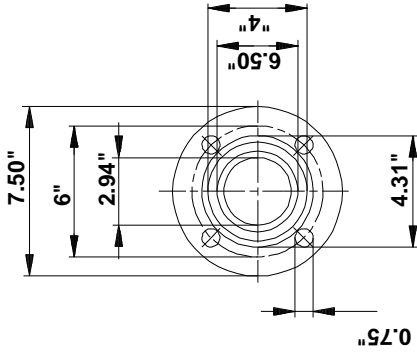
96654379 UPS 75-69 F 60 Hz



Description	Value
General information:	
Product name:	UPS 75-69 F
Product No.:	96654379
EAN:	5700836884960
Technical:	
Speed Number:	3
Actual calculated flow:	93.7 US gpm
Resulting head of the pump:	35.88 ft
Head max:	22.64 ft
Approvals on nameplate:	CUL
Model:	C
Materials:	
Pump housing:	Cast iron EN-JL1040 ASTM 35 B - 40 B
Impeller:	Stainless steel DIN W.-Nr. 1.4301 AISI 304
Installation:	
Range of ambient temperature:	32 .. 104 °F
Maximum operating pressure:	145.04 psi
Flange standard:	USA
Type of connection:	F
Pipe connection:	GF 80
Pressure stage:	145 psi
Port-to-port length:	14 1/4 in
Liquid:	
Pumped liquid:	Water
Liquid temperature range:	14 .. 248 °F
Selected liquid temperature:	140 °F
Density:	61.35 lb/ft³
Electrical data:	
Power input in speed 1:	1.274 HP
Power input in speed 2:	1000 W
Max. power input:	1300 W
Main frequency:	60 Hz
Rated voltage:	3 x 208-230 V
Current in speed 1:	2.75 A
Current in speed 2:	3 A
Current in speed 3:	4 A
Cos phi in speed 1:	0.87
Cos phi in speed 2:	0.84
Cos phi:	0.82
Enclosure class (IEC 34-5):	X4D
Insulation class (IEC 85):	H
Motor protection:	CONTACT
Thermal protec:	external
Controls:	
Relay:	without relay
Pos term box:	1.30H
Others:	
Net weight:	53.6 lb
Gross weight:	73.9 lb
Shipping volume:	3.46 ft³
Sales region:	Namreg
Country of origin:	DE
Custom tariff no.:	8413.70.2015

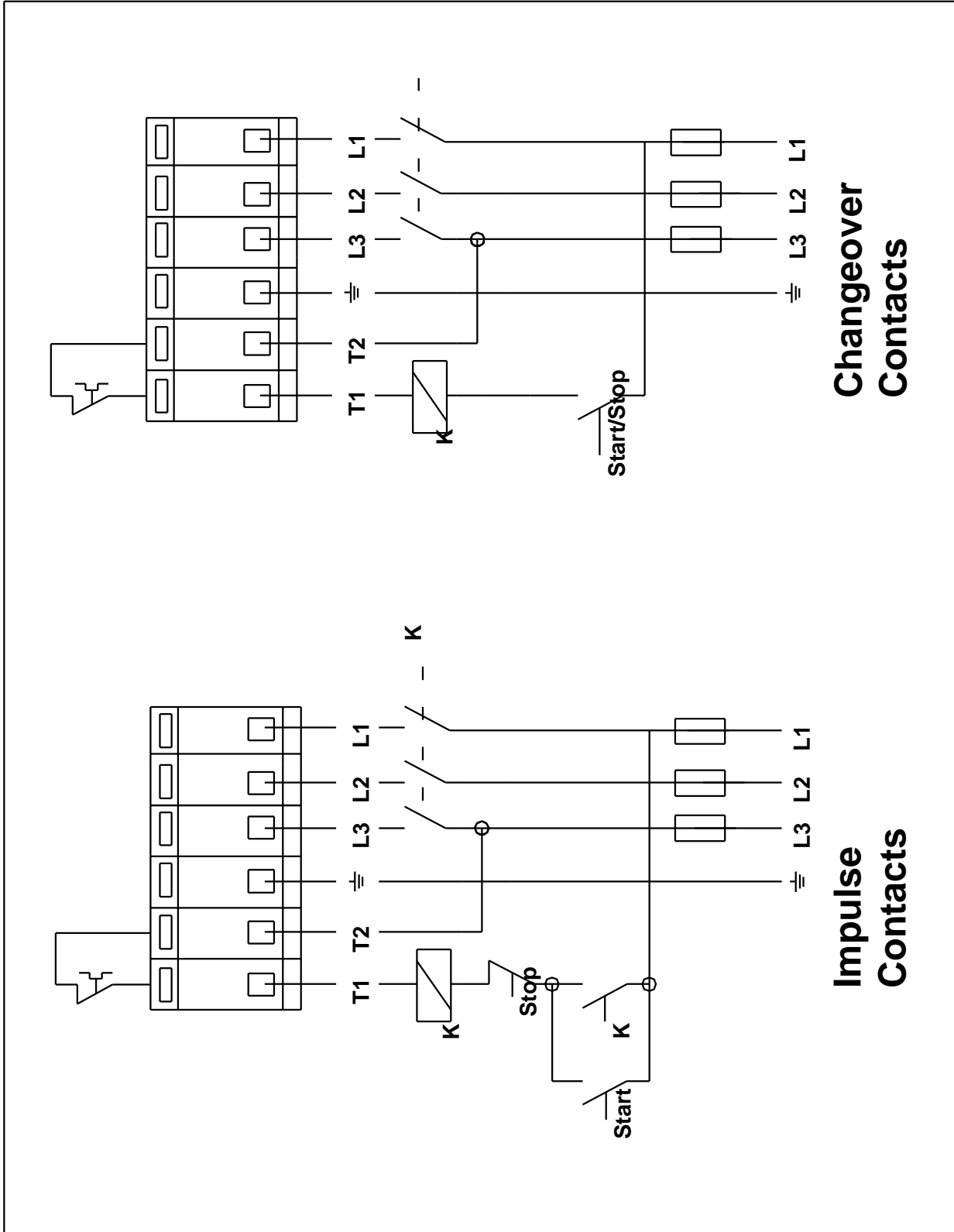


96654379 UPS 75-69 F 60 Hz



Note! All units are in [in] unless otherwise stated.
Disclaimer: This simplified dimensional drawing does not show all details.

96654379 UPS 75-69 F 60 Hz



All units are [in] unless otherwise presented.



Company name:

Created by:

Phone:

Date: 4/11/2019

Order Data:

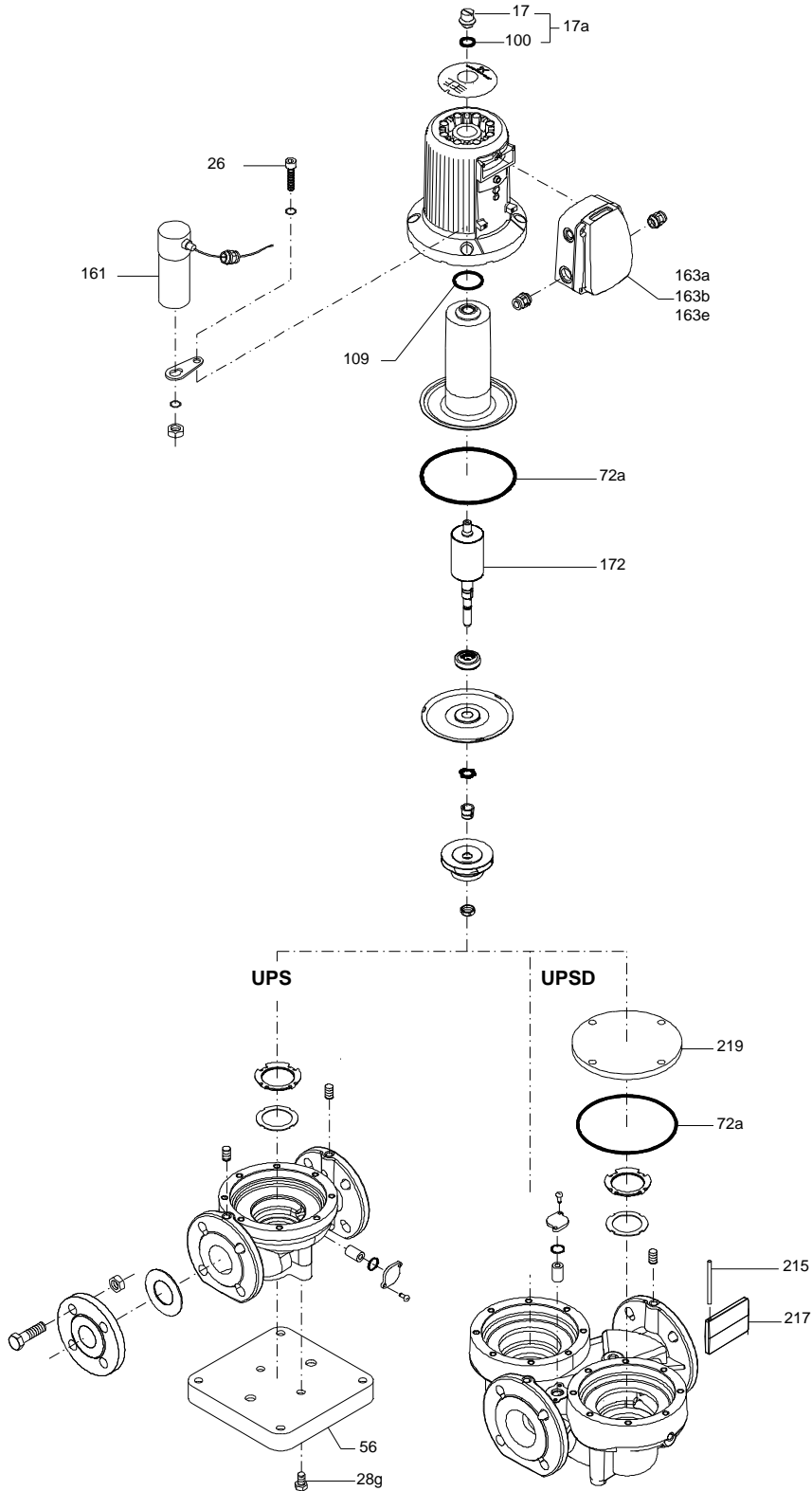
Product name: UPS 75-69 F

Amount: 1

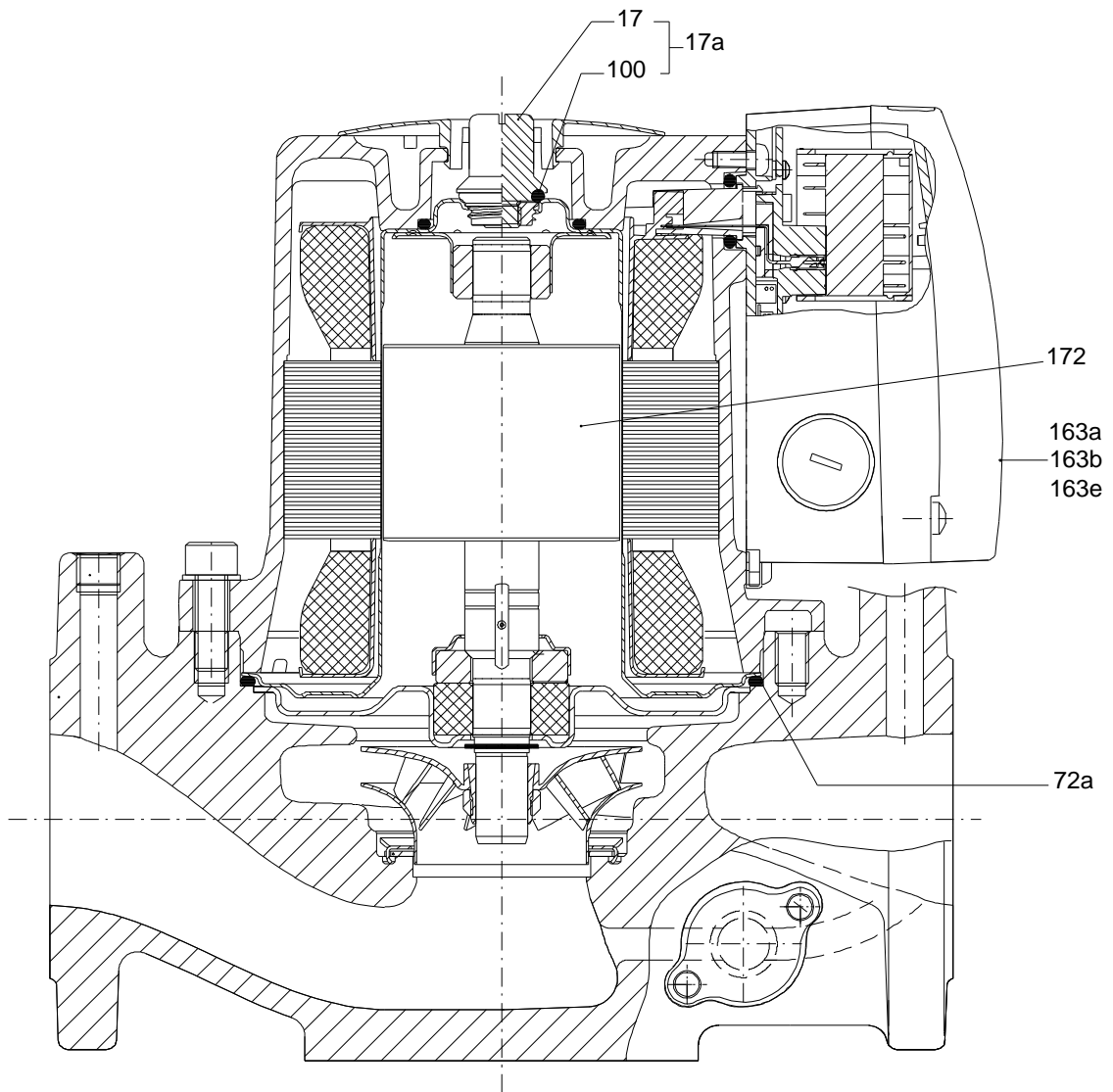
Product No.: 96654379

Total: Price on request

(TM010410 3905)



(TM010371 3905)



TM010371



Company name:

Created by:

Phone:

Date:

4/11/2019

Parts list UPS 75-69 F, Prod number 96654379

Produced After 0646 (production year and week number)

Position	Description	Annotation	Classification data	Part No.	Count	Unit
163b	Terminal box cpl.		Designation: WITH STANDARD MODULE		1	pcs