

PRODUCT INFORMATION PACKET



Model No: SRD4B0.33T65
Catalog No: LM34061
1/3,1800,DP,56,3/60/575
575 Volts



Regal and Leeson are trademarks of Regal Beloit Corporation or one of its affiliated companies.
©2018 Regal Beloit Corporation, All Rights Reserved. MC017097E





Nameplate Specifications

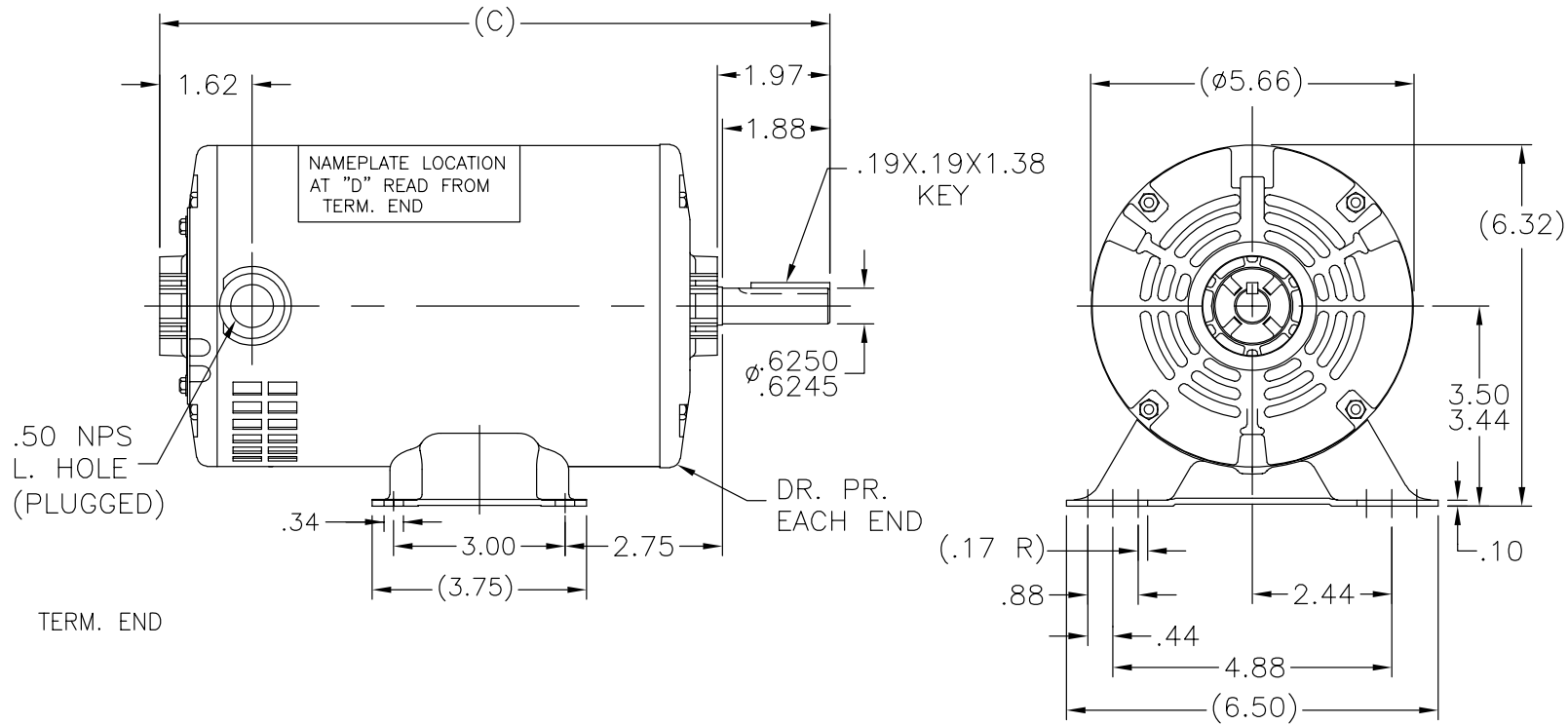
Output HP	0.33 Hp	Output KW	0.25 kW
Frequency	60 Hz	Voltage	575 V
Current	0.48 A	Speed	1725 rpm
Service Factor	1.15	Phase	3
Efficiency	73.4 %	Duty	Continuous
Insulation Class	B	Design Code	B
KVA Code	M	Frame	S56
Enclosure	Drip Proof	Overload Protector	No
Ambient Temperature	40 °C	Drive End Bearing Size	6203
Opp Drive End Bearing Size	6203	UL	Recognized
CSA	Y	CE	Y
IP Code	22		

Technical Specifications

Electrical Type	Squirrel Cage Inverter Rated	Starting Method	Line Or Inverter
Poles	4	Rotation	Reversible
Mounting	Rigid base	Motor Orientation	HORIZONTAL
Drive End Bearing	BALL	Opp Drive End Bearing	BALL
Frame Material	Rolled Steel	Shaft Type	NEMA 56
Overall Length	11.22 in	Frame Length	7.25 in
Shaft Diameter	0.625 in	Shaft Extension	1.88 in
Assembly/Box Mounting	F1 ONLY		
Outline Drawing	A-SS404127-725	Connection Diagram	A-EE7300-REGAL

This is an uncontrolled document once printed or downloaded and is subject to change without notice. Date Created: 10/15/2018

SS404127



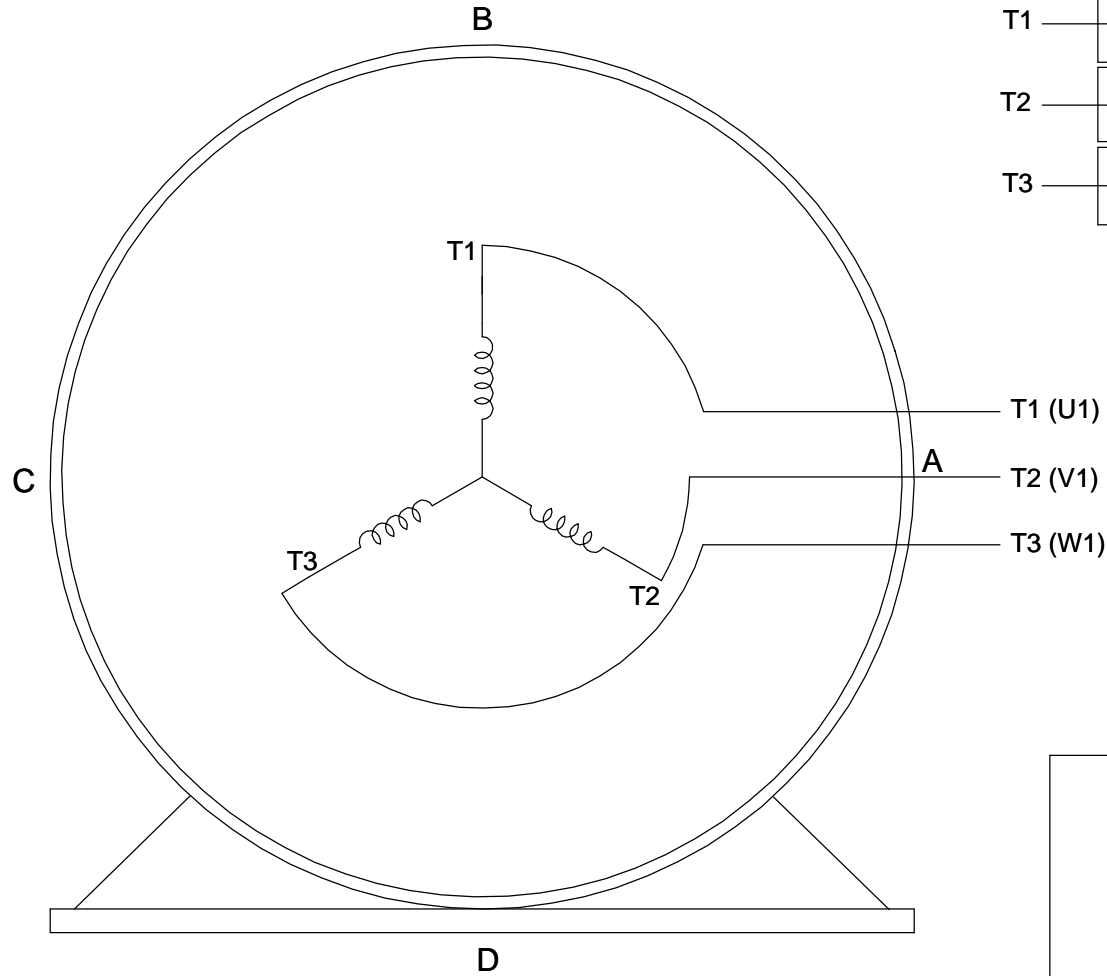
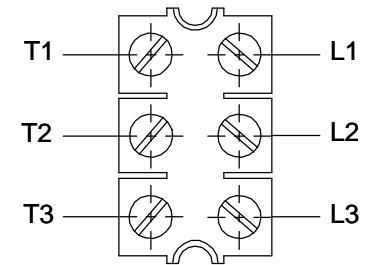
DASH	C	DASH	C	DASH	C
600	9.97	700	10.97	775	11.72
625	10.22	725	11.22	800	11.97
650	10.47	750	11.47	875	12.72

NO.		REVISION	BY & DATE	TOLERANCES UNLESS SPECIFIED		REGAL™ Regal Beloit America, Inc.	DRAWN PST 12/19/2014	
CHK	ANG	±7'30"	DEC.	INCHES	CHK		AP 12/19/2014	
		.X	±.1			TITLE OUTLINE 56 FR. - DP.	APPD	
		.XX	±.03				SCALE 3=8	
		.XXX	±.005				REF	
		.XXXX	±.0005				FMF	
						FINISH	PREV	
THIS DRAWING IN DESIGN AND DETAIL IS OUR PROPERTY AND MUST NOT BE USED EXCEPT IN CONNECTION WITH OUR WORK ALL RIGHTS OF DESIGN AND INVENTION ARE RESERVED THIS IS AN ELECTRONICALLY GENERATED DOCUMENT - DO NOT SCALE THIS PRINT				RFP	CAD FILE SS404127		SIZE	DRAWING NO. PAGE OF REV.
				DIST	WP	A	SS404127	

**THREE PHASE - SINGLE VOLTAGE
MOTOR - CONDUIT BOX @ 'A'**

**TO REVERSE ROTATION:
INTERCHANGE ANY TWO
LINE LEAD CONNECTIONS.**

TERMINAL BLOCK WHEN SPECIFIED



VIEW OF TERMINAL END

**IF MOTOR HAS
6 LEADS**



A-9806 DECAL

**OPTIONAL CORD
CONNECTION**

- L1 WHITE
- L2 RED
- L3 BLACK

DRAWING REVISION AB	REVISION BY JJB	DATE 06-27-2017
ECO ECO-0125361	APPROVED BY TB	DATE 06-27-2017
ECO DESCRIPTION UPDATED TO CURRENT STANDARDS		
<small>COPYRIGHT REGAL BELOIT AMERICA, INC. ALL RIGHTS RESERVED. PROPRIETARY AND CONFIDENTIAL INFORMATION - THIS DOCUMENT IS THE PROPERTY OF REGAL BELOIT AMERICA, INC. ("OWNER") AND CONTAINS OWNER'S PROPRIETARY INFORMATION. ANY PERSON, CORPORATION OR OTHER FIRM RECEIVING IT IS DEEMED, BY RECEIVING IT, TO AGREE THAT IT, AND/OR ANY PART OF IT, SHALL NOT BE DISCLOSED TO ANY PERSON, CORPORATION OR OTHER ENTITY, DUPLICATED, AND/OR USED, EXCEPT AS EXPRESSLY APPROVED IN WRITING IN ADVANCE BY OWNER. THIS DOCUMENT SHALL BE RETURNED TO OWNER UPON REQUEST. IT MAY BE SUBJECT TO CERTAIN RESTRICTIONS UNDER APPLICABLE EXPORT CONTROL LAWS AND REGULATIONS.</small>		



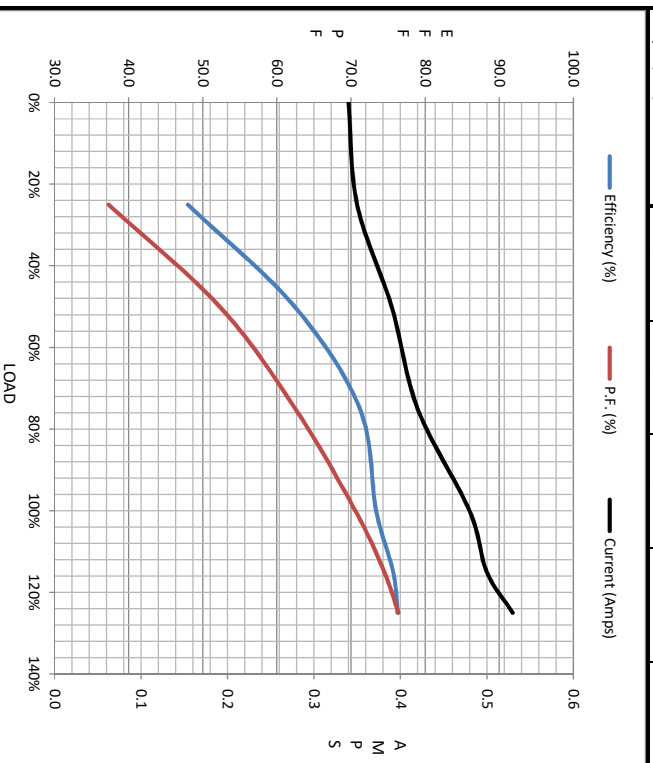
DRAWN BY DA
DATE 03-26-1993
APPROVED BY TB
DATE 03-26-1993
REFERENCE
THIRD ANGLE PROJECTION

Regal Beloit America, Inc.		
		DESCRIPTION CONNECTION DIAGRAM EXTERNAL - SINGLE VOLTAGE - 3Ø MOTOR
MATERIAL	PROCESS/FINISH	
SIZE A	DRAWING NUMBER EE7300	SHEET 1 OF 1



Motor Load Data					LR				
Load	0%	25%	50%	75%	100%	115%	125%	LR	
Current (Amps)	0.34	0.35	0.39	0.42	0.48	0.50	0.53		3.6
Torque (ft-lb)	0.00	64.8	130	196	261	300	326		1,146
RPM	1800	1780	1770	1760	1745	1735	1730		0
Efficiency (%)		48.0	62.4	71.2	73.4	75.7	76.3		76.3
P.F. (%)	20.4	37.3	52.3	62.5	70.6	74.5	76.4		0.0

Motor Speed Data					Information Block				
Speed (RPM)	LR	Pull-Up	BD	Rated	Idle	HP	0.3		
Current (Amps)	0	900	1440	1745	1800	Sync. RPM	1800		
Torque (ft-lb)	1,146	1,042	1,258	261	0.00	Frame	48		
						Enclosure	DP		
						Construction	TDR		
						Voltage	575	V	
						Frequency	60	Hz	
						Design	B		
						LR Code letter	M		
						Service Factor	1.15		
						Temp Rise @ FL	25	°C	
						Duty	CONT		
						Ambient	40	°C	
						Elevation	1,000	feet	
						Rotor/Shaft wk²	0.00	LB-Ft²	
						Ref Wdg	TE484125	NONE	
						Sound Pressure @ 1M	999	dB(A)	
						VFD Rating	CONSTANT 2:1		
						Outline Dwg	A-SS404127-725		
						Conn. Diag	A-EE7300-REGAL		
						Additional Specifications:			
						EQUIV CKT (OHMS / PHASE)			
						R1	R2	X1	X2
						0.0000	0.0000	0.0000	0.0000



R1	R2	X1	X2	Xm
0.0000	0.0000	0.0000	0.0000	0.0000

