

# PRODUCT INFORMATION PACKET



Model No: A4K34DC8A

Catalog No: E100055.00

..3/4HP..3450RPM.S56.DP.115/230V.1PH.60HZ.CONT.40C.1.25SF.RIGID....GENERAL  
PURPOSE.MANUAL.....

Open Drip Proof (ODP)



Regal and Leeson are trademarks of Regal Beloit Corporation or one of its affiliated companies.

©2018 Regal Beloit Corporation, All Rights Reserved. MC017097E





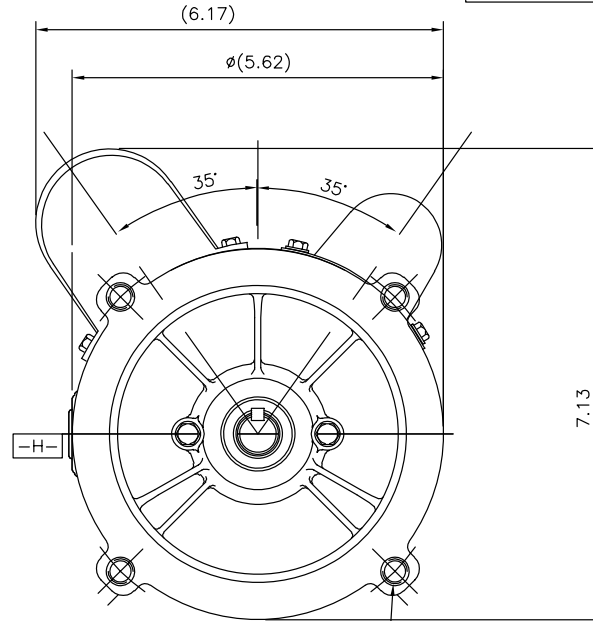
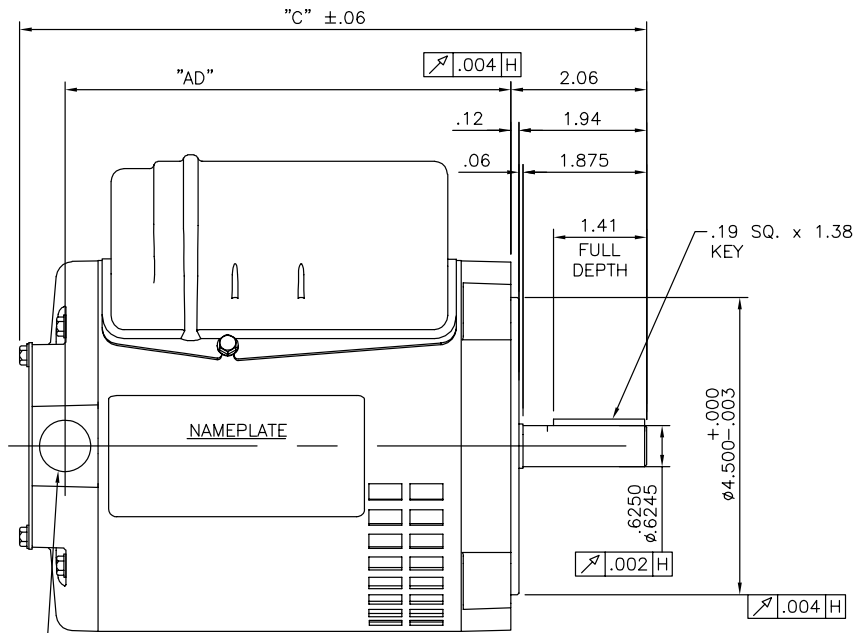
### Nameplate Specifications

Output HP	<b>0.75 Hp</b>	Output KW	<b>0.56 kW</b>
Frequency	<b>60 Hz</b>	Voltage	<b>115/230 V</b>
Current	<b>7.2/3.6 A</b>	Speed	<b>3515 rpm</b>
Service Factor	<b>1.25</b>	Phase	<b>1</b>
Efficiency	<b>76.2 %</b>	Duty	<b>Continuous</b>
Insulation Class	<b>B</b>	Design Code	<b>N</b>
KVA Code	<b>K</b>	Frame	<b>S56C</b>
Enclosure	<b>Drip Proof</b>	Overload Protector	<b>Automatic</b>
Ambient Temperature	<b>40 °C</b>	Drive End Bearing Size	<b>6203</b>
Opp Drive End Bearing Size	<b>6203</b>	UL	<b>Recognized</b>
CSA	<b>Y</b>	CE	<b>Y</b>
IP Code	<b>12</b>		

### Technical Specifications

Electrical Type	<b>Capacitor Start Capacitor Run</b>	Starting Method	<b>Across The Line</b>
Poles	<b>2</b>	Rotation	<b>Selective Counterclockwise</b>
Mounting	<b>Round</b>	Motor Orientation	<b>HORIZONTAL</b>
Drive End Bearing	<b>BALL</b>	Opp Drive End Bearing	<b>BALL</b>
Frame Material	<b>Rolled Steel</b>	Shaft Type	<b>NEMA 56</b>
Overall Length	<b>11.49 in</b>	Frame Length	<b>7.50 in</b>
Shaft Diameter	<b>0.625 in</b>	Shaft Extension	<b>1.87 in</b>
Assembly/Box Mounting	<b>F1 ONLY</b>		
Outline Drawing	<b>A-SS404121-750</b>	Connection Diagram	<b>005053.40</b>

SS404121



1/2-14 NPT  
CONDUIT HOLE  
(PLUGGED)

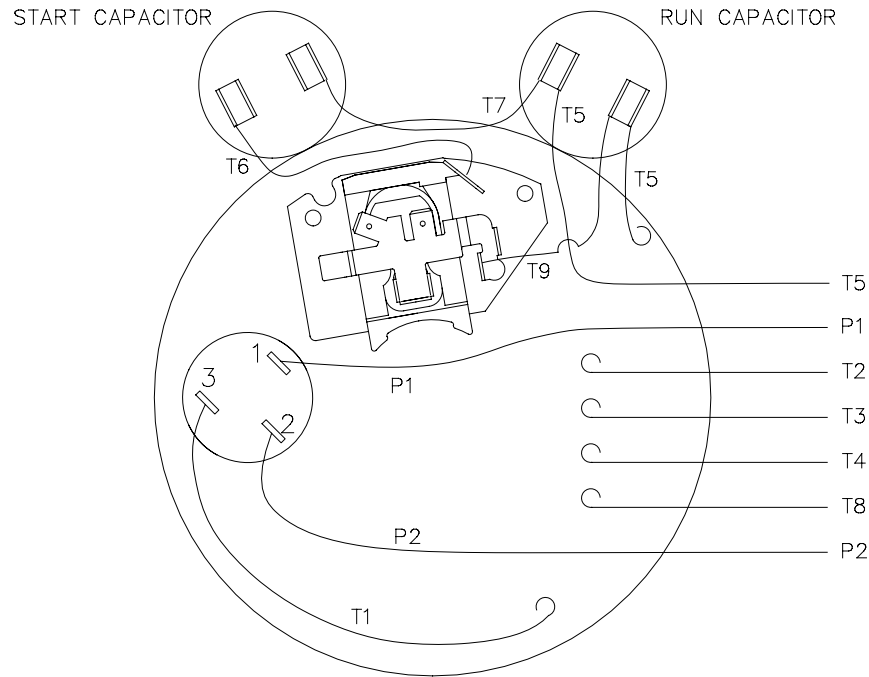
DASH NO.	"C"	"AD"
550	9.49	6.75
575	9.74	7.00
600	9.99	7.25
625	10.24	7.50
650	10.49	7.75
675	10.74	8.00
700	10.99	8.25
725	11.24	8.50
750	11.49	8.75

3/8-16 UNC 2B TAP x .56 DEEP  
(4) REQ'D. ON A ø5.875 B.C.

		TOLERANCES UNLESS SPECIFIED		DRAWN SM 12/03/2014	
		DEC.	INCHES	CHK SM 12/03/2014	
		.X	±.1	APPD	
		.XX	±.03	SCALE NTS	
		.XXX	±.005	REF SS404120	
A	CREATED NEW DRAWING	SM	12/03/2014	SM	.XXXX ±.0005
NO.	REVISION	BY & DATE	CHK	ANG	±7'30"
THIS DRAWING IN DESIGN AND DETAIL IS OUR PROPERTY AND MUST NOT BE USED EXCEPT IN CONNECTION WITH OUR WORK ALL RIGHTS OF DESIGN AND INVENTION ARE RESERVED THIS IS AN ELECTRONICALLY GENERATED DOCUMENT - DO NOT SCALE THIS PRINT				RFP	CAD FILE SS404121
				DIST	WP
				SIZE	DRAWING NO. PAGE 1 OF 1 REV.
				A	SS404121 A

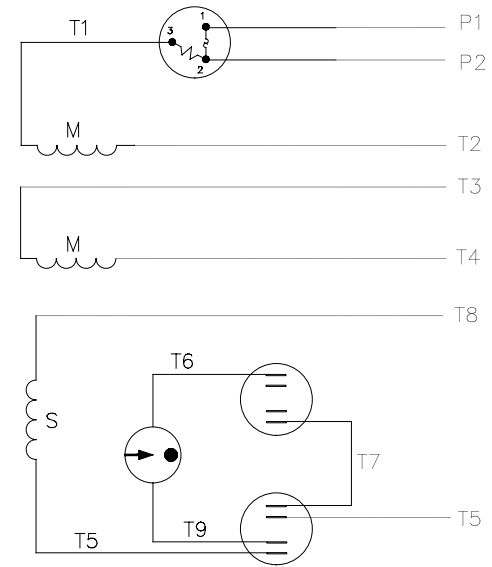
**REGAL**™ Regal Beloit America, Inc.

TITLE OUTLINE  
S56 FRAME ROUND MOUNT - DRIP PROOF



VIEW FROM OUTSIDE OF MOTOR AT SWITCH END

LINE LEADS



	ROTATION FACING LEAD END	L1	L2	JOIN	INSULATE SEPARATE
HIGH VOLT	C.C.W.	P1	T4, T5	T2, T3 T8	P2
	C.W.	P1	T4, T8	T2, T3 T5	P2
LOW VOLT	C.C.W.	P1	T2, T4 T5	P2 T3, T8	---
	C.W.	P1	T2, T4 T8	P2 T3, T5	---

NO.	CHANGED	REVISION	BY & DATE	CHK	ANG	TOLERANCES UNLESS SPECIFIED	
						DEC.	INCHES
						.X	±.1
						.XX	±.01
						.XXX	±.005
A	CHANGED LOGO TO REGAL		PST 2/1/16	SKM	.XXXX	±.0005	
				CHK	ANG	±1/2°	

**REGAL™** Regal Beloit America, Inc.

DRAWN PG 7/2/02

CHK

APPD

TITLE EXTERNAL WIRING DIAGRAM  
TYPE "K" W/PROTECTOR

SCALE 5=8

REF 005053.01

MAT'L. DUAL VOLTAGE - DUAL ROTATION

FMF 102827.00

FINISH

PREV

THIS DRAWING IN DESIGN AND DETAIL IS OUR PROPERTY AND MUST NOT BE USED EXCEPT IN CONNECTION WITH OUR WORK ALL RIGHTS OF DESIGN AND INVENTION ARE RESERVED THIS IS AN ELECTRONICALLY GENERATED DOCUMENT - DO NOT SCALE THIS PRINT

RFP

CAD FILE 00505340

SIZE A

DRAWING NO. 005053-40

REV. A

