

# PRODUCT INFORMATION PACKET

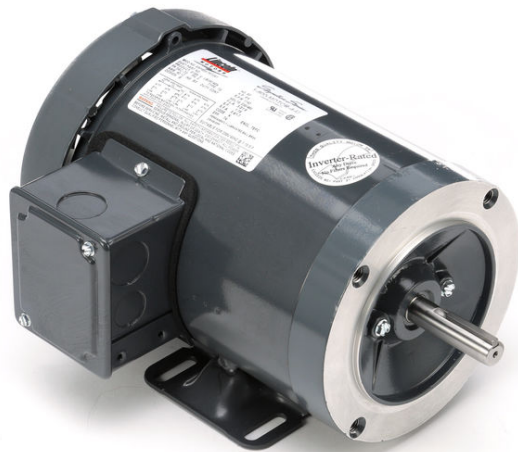


Model No: SRF4B1.5TCN61

Catalog No: LM34161

..1.5HP..1800RPM.56C.TEFC.230/460V.3PH.60HZ.CONT.40C.1.15SF.C FACE.....GENERAL  
PURPOSE.....

Totally Enclosed Fan Cooled (TEFC)



Regal and Leeson are trademarks of Regal Beloit Corporation or one of its affiliated companies.

©2018 Regal Beloit Corporation, All Rights Reserved. MC017097E



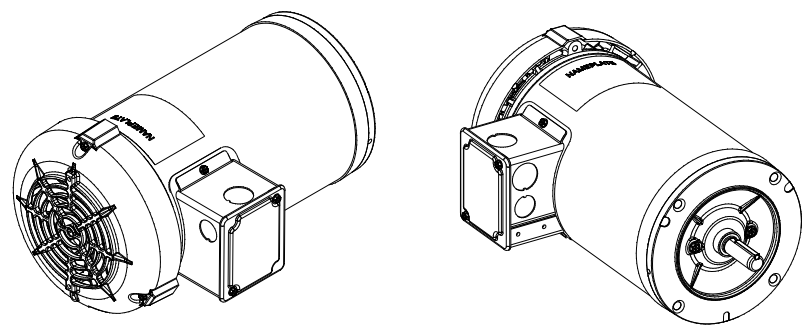
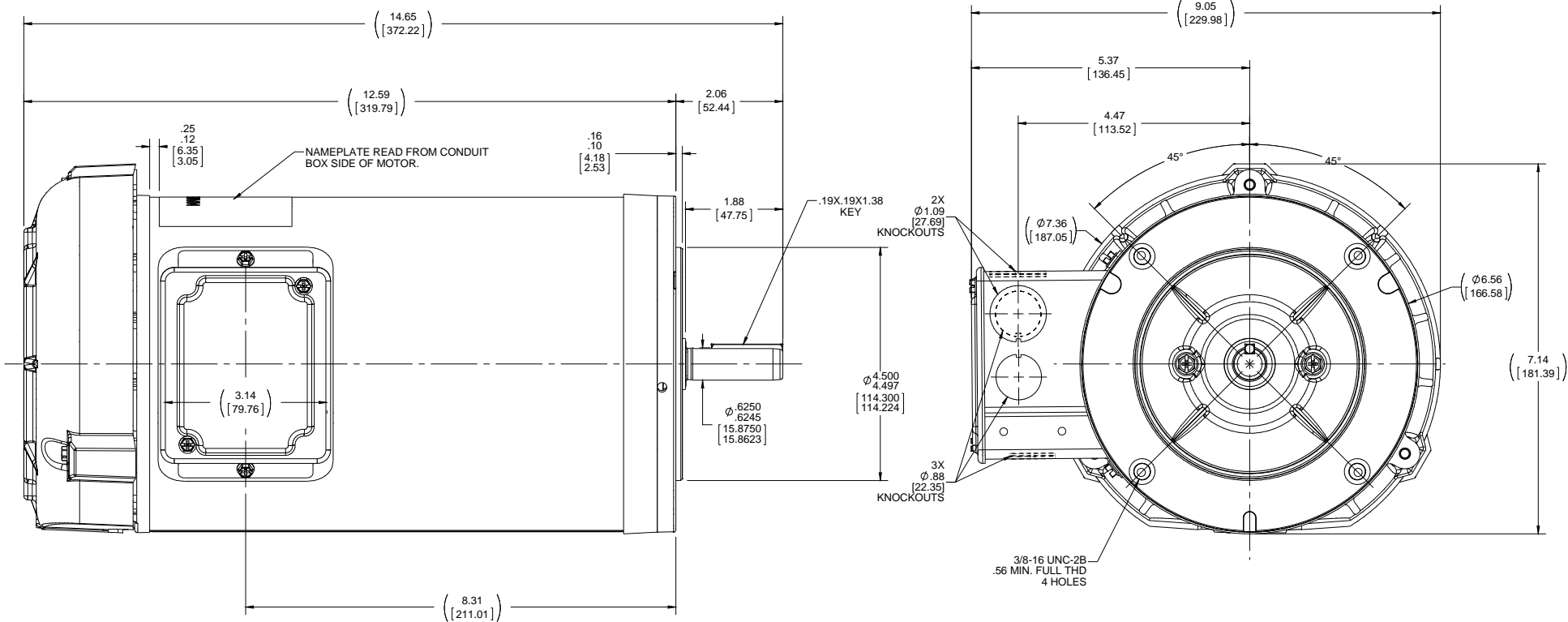


**Nameplate Specifications**

Output HP	<b>1.50 Hp</b>	Output KW	<b>1.1 kW</b>
Frequency	<b>60 Hz</b>	Voltage	<b>230/460 V</b>
Current	<b>4.6/2.3 A</b>	Speed	<b>1725 rpm</b>
Service Factor	<b>1.15</b>	Phase	<b>3</b>
Efficiency	<b>86.5 %</b>	Duty	<b>Continuous</b>
Insulation Class	<b>B</b>	Design Code	<b>B</b>
KVA Code	<b>P</b>	Frame	<b>56 C</b>
Enclosure	<b>Totally Enclosed Fan Cooled</b>	Overload Protector	<b>No</b>
Ambient Temperature	<b>40 °C</b>	Drive End Bearing Size	<b>6205</b>
Opp Drive End Bearing Size	<b>6203</b>	UL	<b>Recognized</b>
CSA	<b>Y</b>	CE	<b>Y</b>
IP Code	<b>43</b>		

**Technical Specifications**

Electrical Type	<b>Squirrel Cage Induction Run</b>	Starting Method	<b>Across The Line</b>
Poles	<b>4</b>	Rotation	<b>Reversible</b>
Mounting	<b>Round</b>	Motor Orientation	<b>HORIZONTAL</b>
Drive End Bearing	<b>BALL</b>	Opp Drive End Bearing	<b>BALL</b>
Frame Material	<b>Rolled Steel</b>	Shaft Type	<b>IEC</b>
Overall Length	<b>14.65 in</b>	Frame Length	<b>9.15 in</b>
Shaft Diameter	<b>0.625 in</b>	Shaft Extension	<b>1.88 in</b>
Assembly/Box Mounting	<b>F1 ONLY</b>		
Outline Drawing	<b>OL56100007-001</b>	Connection Diagram	<b>CDTD103</b>



DRAWING REVISION B	REVISION BY E VILLA	DATE 06-21-2016	TOLERANCES UNLESS OTHERWISE SPECIFIED: DEC. INCH mm ANGLE	DRAWN BY F. RAMIREZ	Regal Beloit America, Inc.
ECO ECO-0104418	APPROVED BY J. ORTEGA	DATE 06-21-2016	.XX ±0.02 [±0.51] .XXX ±0.005 [±0.127] .XXXX ±0.0005 [±0.0127]	DATE 01-15-2016	
ECO DESCRIPTION NEW MODEL RELEASE			REMOVE BURRS & BREAK SHARP EDGES: .0031 [0.076381] X 45° CORNER FILLETS: R.02 [51] MACHINED SURFACES: 1/25 √ 3/2 mm SHOWN IN [BRACKETS]	APPROVED BY	DESCRIPTION OUTLINE
<small>COPYRIGHT REGAL BELOIT AMERICA, INC. ALL RIGHTS RESERVED. PROPRIETARY AND CONFIDENTIAL INFORMATION. THIS DOCUMENT IS THE PROPERTY OF REGAL BELOIT AMERICA, INC. (OWNER) AND CONTAINS OWNER'S PROPRIETARY INFORMATION. ANY PERSON, CORPORATION OR OTHER FIRM RECEIVING IT IS DEEMED BY RECEIVING IT, TO AGREE THAT IT, AND/OR ANY PART OF IT, SHALL NOT BE DISCLOSED TO ANY PERSON, CORPORATION OR OTHER ENTITY, DUPLICATED, AND/OR USED, EXCEPT AS EXPRESSLY APPROVED IN WRITING IN ADVANCE BY OWNER. THIS DOCUMENT SHALL BE RETURNED TO OWNER UPON REQUEST. IT MAY BE SUBJECT TO CERTAIN RESTRICTIONS UNDER APPLICABLE EXPORT CONTROL LAWS AND REGULATIONS.</small>			DATE	MATERIAL	PROCESS/FINISH
			THIRD ANGLE PROJECTION	REFERENCE	DRAWING NUMBER OL56100007-001
			SIZE C	SHEET 1 OF 1	

4 3 Uncontrolled Copy 2 1

B B

VIEW OF TERMINAL END

NOTE:

1. TO REVERSE ROTATION, INTERCHANGE ANY TWO LINE CONNECTIONS TO L1, L2, OR L3.
2. CONNECTION DIAGRAM-NAMEPLATE DD10038

CCW LOW VOLTAGE

001

CCW HIGH VOLTAGE

002

A A

DRAWING REVISION A	REVISION BY G. RODRIGUEZ	DATE 07-06-2016
ECO ECO-0149482	APPROVED BY R. VALENZUELA	DATE 07-06-2016
ECO DESCRIPTION NEW RELEASE		
<small>COPYRIGHT REGAL BELOIT AMERICA, INC. ALL RIGHTS RESERVED.          PROPRIETARY AND CONFIDENTIAL INFORMATION - THIS DOCUMENT IS THE PROPERTY OF          REGAL BELOIT AMERICA, INC. ("OWNER") AND CONTAINS OWNER'S PROPRIETARY          INFORMATION. ANY PERSON, CORPORATION OR OTHER FIRM RECEIVING IT IS DEEMED,          BY RECEIVING IT, TO AGREE THAT IT, AND/OR ANY PART OF IT, SHALL NOT BE DISCLOSED          TO ANY PERSON, CORPORATION OR OTHER ENTITY, DUPLICATED, AND/OR USED, EXCEPT          AS EXPRESSLY APPROVED IN WRITING IN ADVANCE BY OWNER. THIS DOCUMENT SHALL          BE RETURNED TO OWNER UPON REQUEST. IT MAY BE SUBJECT TO CERTAIN          RESTRICTIONS UNDER APPLICABLE EXPORT CONTROL LAWS AND REGULATIONS.</small>		

TOLERANCES UNLESS OTHERWISE SPECIFIED:

DEC.	INCH	mm	ANGLE
.X	±0.1	[±2.5]	±0.5°
.XX	±0.01	[±0.25]	
.XXX	±0.005	[±0.127]	
.XXXX	±0.0005	[±0.0127]	

REMOVE BURRS & BREAK SHARP  
 EDGES: .003/.015 [.076/.381]  
 CORNER FILLETS: .02 [.51]  
 MACHINED SURFACES: 125/3.2  
INCH mm  
 mm SHOWN IN [BRACKETS]

DRAWN BY  
G. RODRIGUEZ

DATE  
07-06-2016

APPROVED BY  
R. VALENZUELA

DATE  
07-06-2016

REFERENCE  
SKT52A105383CA

THIRD ANGLE PROJECTION

**REGAL**™ Regal Beloit America, Inc.

DESCRIPTION  
CONN DIAGRAM-EXTERNAL

MATERIAL

PROCESS/FINISH

SIZE  
B

DRAWING NUMBER  
CDTD103

SHEET  
1 OF 1

4 3 2 1

4 of 5

Data Sheet

Date: 1/22/2018

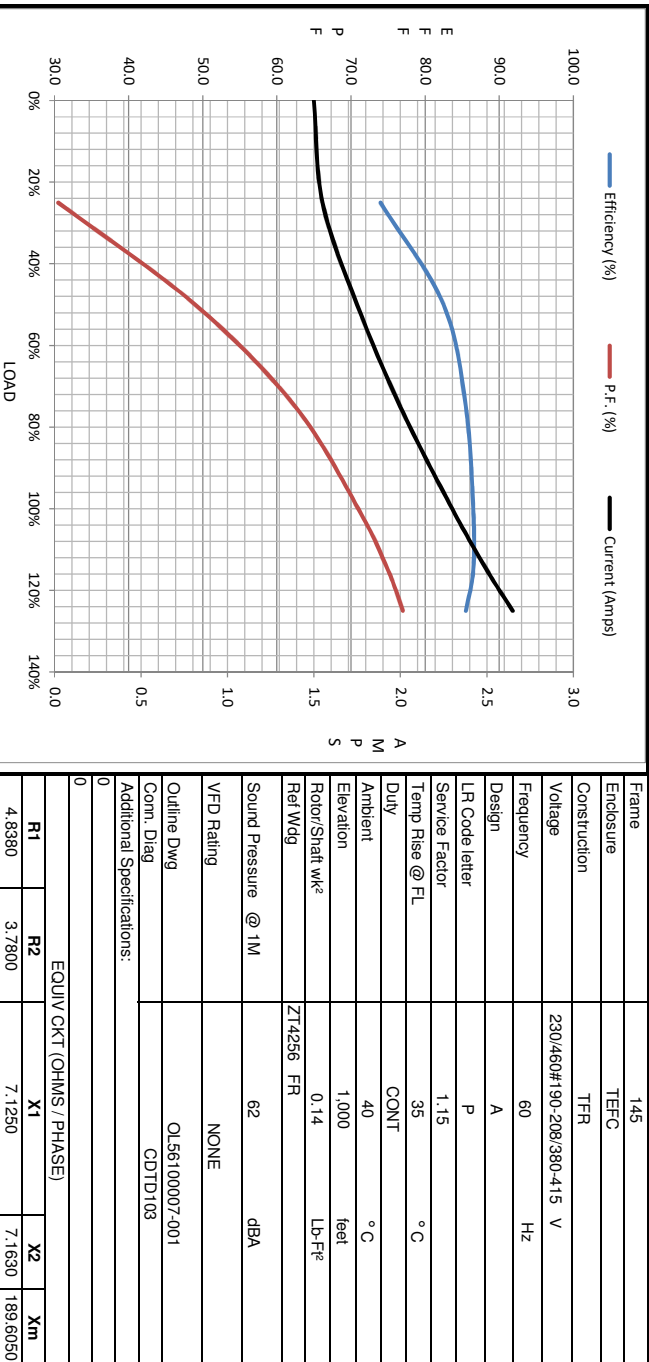
LM34161



Data @ 460 V

Motor Load Data									
Load	0%	25%	50%	75%	100%	115%	125%	LR	
Current (Amps)	1.50	1.55	1.75	2.00	2.30	2.50	2.65	24.0	
Torque (ft-lb)	0.00	1.10	2.20	3.5	4.5	5.2	5.7	21.2	
RPM	1800	1790	1780	1765	1755	1750	1745	0	
Efficiency (%)		74.0	82.5	85.5	86.5	85.5	85.5		
P.F. (%)	7.5	30.5	49.0	62.5	71.0	75.0	77.0	69.5	

Motor Speed Data						Information Block																					
	LR	Pull-Up	BD	Rated	Idle	HP	Sync. RPM	Frame	Enclosure	Construction	Voltage	Frequency	Design	LR Code letter	Service Factor	Temp Rise @ FL	Duty	Ambient	Elevation	Rotor/Shaft wk <sup>2</sup>	Ref Wdg	Sound Pressure @ 1M	VFD Rating	Outline Dwg	Conn. Diag	Additional Specifications:	
Speed (RPM)	0	130	1190	1755	1800	1.5	1800	145	TEFC	TFR	230/460#190-208/380-415 V	60	A	P	1.15	35	CONT	40 °C	1,000	0.14	Z14256 FR	62	NONE	OL56100007-001	CDTD108		
Current (Amps)	24.0	23.3	16.0	2.30	1.50																						
Torque (ft-lb)	21.2	20.2	26.0	4.5	0.00																						



EQUIV CKT (OHMS / PHASE)			
R1	R2	X1	Xm
4.8380	3.7800	7.1250	7.1630 189.6050

