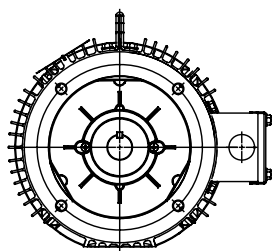
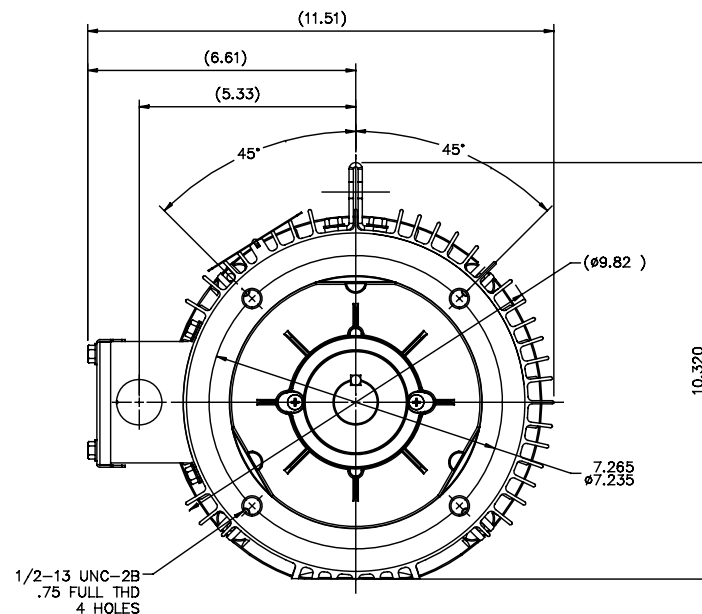
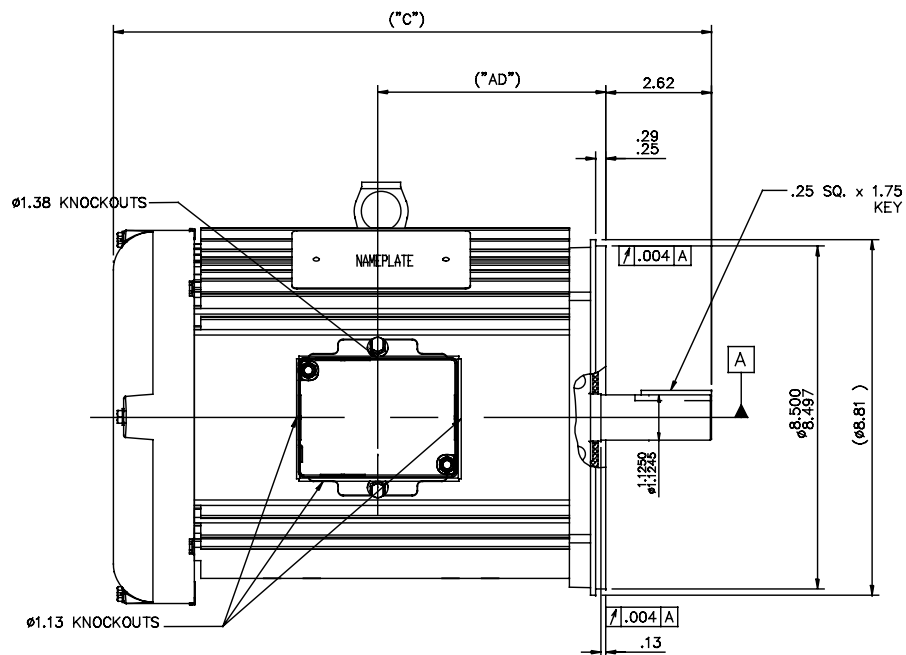


036180LN



F2 VIEW

DASH NO	"C"	"AD"
950	14.96	5.65
1100	16.46	7.15

TOLERANCES UNLESS SPECIFIED		REGAL™ Regal Beloit America, Inc.		DRAWN	SL 01/07/16	
DEC.	INCHES	CHK	SYED 01/07/16	APPD	SYED 01/07/16	
.X	±.1	TITLE 182/184T-TEFC-C FACE OUTLINE				
.XX	±.03	SCALE 3=8				
.XXX	±.005	REF 036120LN				
A	NEW DRAWING	SL	01/07/16	CHK	FMF	
	REVISION	BY & DATE		FINISH	PREV	
THIS DRAWING IN DESIGN AND DETAIL IS OUR PROPERTY AND MUST NOT BE USED EXCEPT IN CONNECTION WITH OUR WORK. ALL RIGHTS OF DESIGN AND INVENTION ARE RESERVED. THIS IS AN ELECTRONICALLY GENERATED DOCUMENT - DO NOT SCALE THIS PRINT.		RFP	CAD FILE	036180	SIZE	DRAWING NO.
		DIST		B	036180LN	REV. A