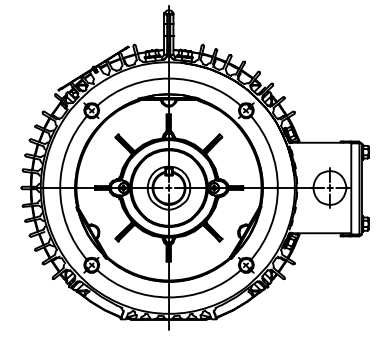
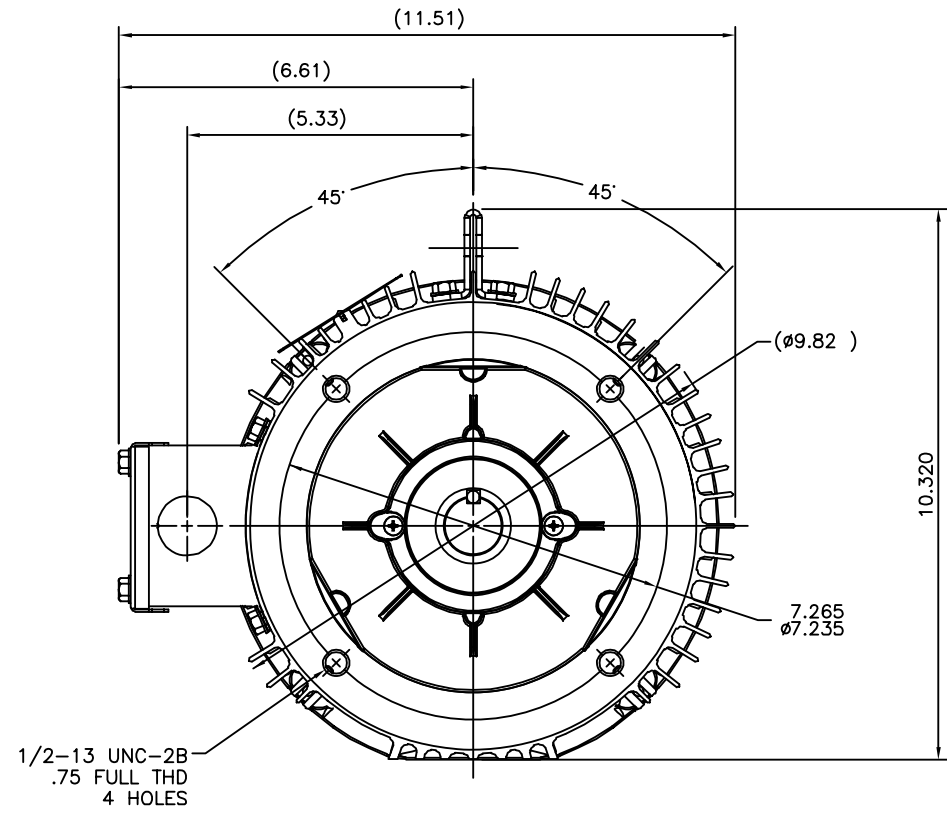
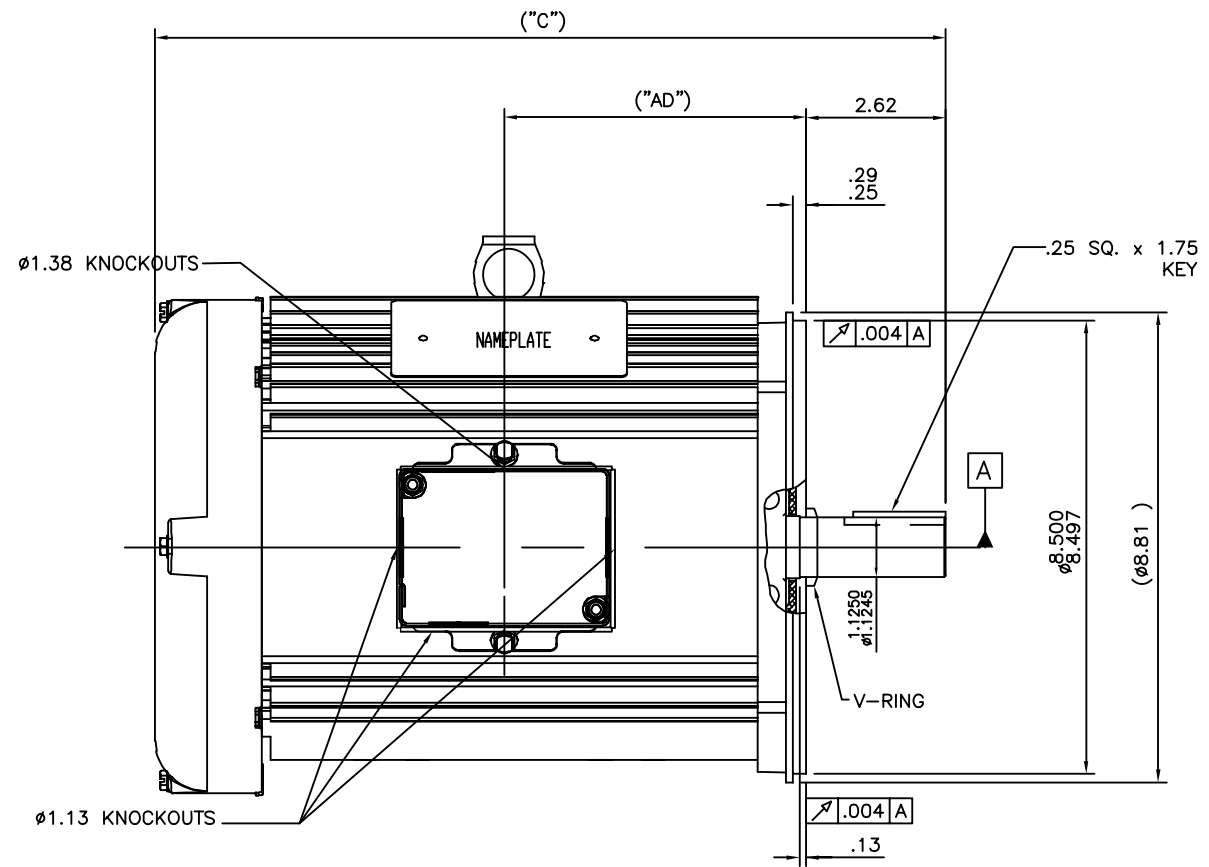


036120LN



F2 VIEW

DASH NO	"C"	"AD"
950	14.96	5.65
1100	16.46	7.15

NO.		REVISION		BY & DATE		TOLERANCES UNLESS SPECIFIED		DRAWN PVR 02/06/15			
						DEC.	INCHES		CHK ST 02/06/15		
						.X	±.1		APPD		
						.XX	±.03	TITLE	SCALE 3=8		
						.XXX	±.005	182/184T-TEFC-C FACE	REF 035850LN		
						.XXXX	±.0005	OUTLINE	FMF		
						CHK ANG	±1/2'	MAT'L.	PREV		
						RFP		FINISH			
THIS DRAWING IN DESIGN AND DETAIL IS OUR PROPERTY AND MUST NOT BE USED EXCEPT IN CONNECTION WITH OUR WORK ALL RIGHTS OF DESIGN AND INVENTION ARE RESERVED THIS IS AN ELECTRONICALLY GENERATED DOCUMENT - DO NOT SCALE THIS PRINT						DIST	CAD FILE	036120LN	SIZE	DRAWING NO.	REV.
									B	036120LN	

