

Wallplates
 Weatherproof Covers for Decorator, GFCI,
 Surge Receptacles and Style Line® Devices

HUBBELL

Features

- Weatherproof for outdoor use
- Rated for use in damp and wet locations with cover closed
- Vertical 4 screw box mount
- Marine Drip Proof

Ordering Information

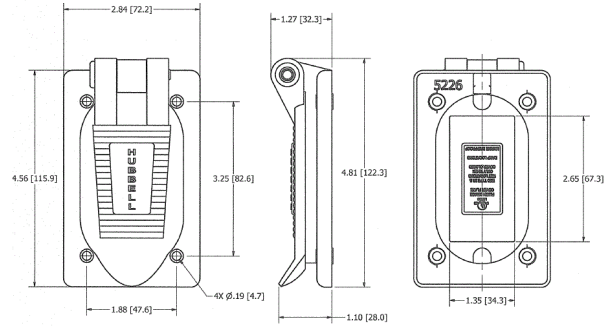
Description	Catalog Number	UPC
Vertical GFCI cover plate for FS/FD Box Mounting	HBL5226	783585812502

Listings

UL Listed
 CSA Certified

Specifications

Material	Thermoplastic
Spring	Stainless Steel
Gasket	Neoprene



Online Resources

Customer Use Drawing
 eCatalog
 Installation Instructions

Dimensions in Inches (mm)

Hubbell Wiring Device-Kellems • Hubbell Incorporated (Delaware) • 40 Waterview Drive • Shelton, CT 06484

Phone (800) 288-6000 • Fax (800) 255-1031 • Specifications subject to change without notice.

