


**The Timken Company**

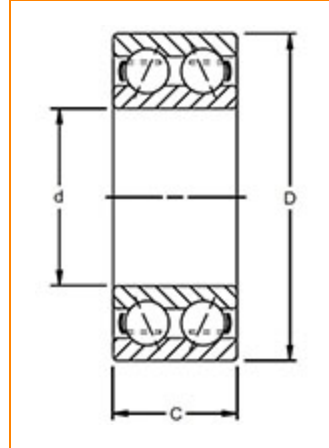
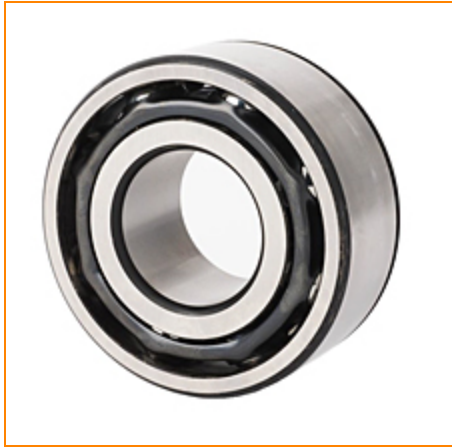
4500 Mt Pleasant St. NW

N. Canton, OH 44720

**Phone:** (234) 262-3000

**E-Mail:** [CustomerCAD@timken.com](mailto:CustomerCAD@timken.com) • **Web site:** [www.timken.com](http://www.timken.com)

Part Number 5204K, Fafnir® Double Row Angular Contact Ball Bearings (5200, 5300, 5400)


[Specifications](#) | [Dimensions](#) | [Basic Load Ratings](#) | [Abutment and Fillet Dimensions](#)
**Specifications**

<b>Design Units</b>	Metric
<b>d - Bore</b>	20 mm
<b>Ball Type</b>	STEEL
<b>Cage Type</b>	Snap In

**Dimensions**

<b>D - Outer Diameter</b>	47 mm 1.8504 in
<b>C - Ring Width</b>	20.62 mm 0.812 in
<b>Contact Angle</b>	20°



## Basic Load Ratings

<b>C0 - Static Radial Rating</b>	12600 N 2850 lbf
<b>Ce - Dynamic Radial Rating<sup>1</sup></b>	22600 N 5100 lbf

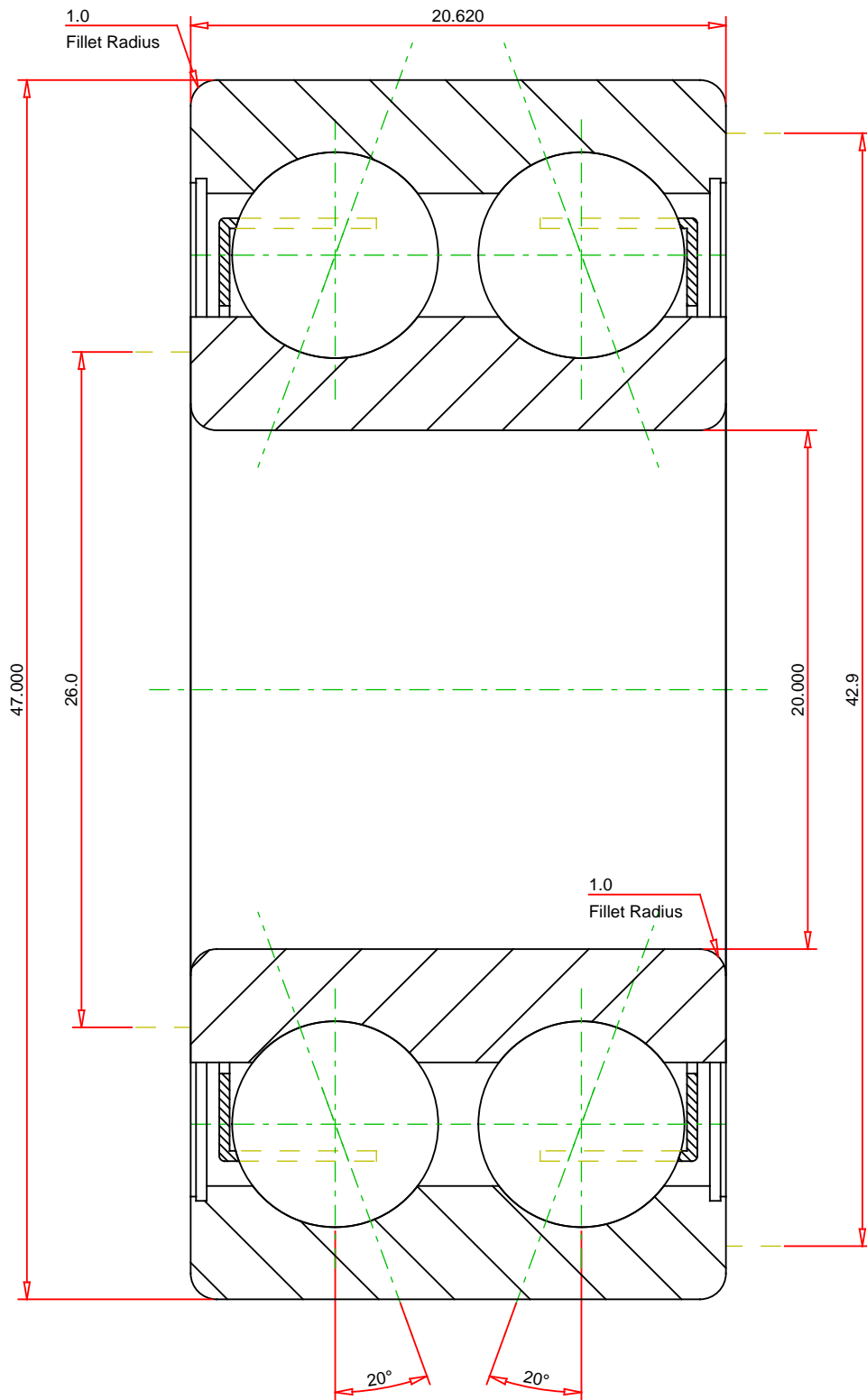
## Abutment and Fillet Dimensions

<b>R - Inner Ring "To Clear" Radius<sup>2</sup></b>	1 mm 0.039 in
<b>r - Outer Ring "To Clear" Radius<sup>3</sup></b>	1 mm 0.039 in
<b>da - Inner Ring Backing Diameter</b>	26.035 mm 1.025 in
<b>Da - Outer Ring Backing Diameter</b>	42.901 mm 1.689 in

<sup>1</sup> Based on  $10^6$  revolutions of calculated fatigue life.

<sup>2</sup> Maximum housing fillet radius that bearing corners will clear.

<sup>3</sup> Maximum shaft fillet radius that bearing corners will clear.



**METRIC UNITS**

Number of Balls Per Row	8
Bearing Weight	0.163 kg

**TIMKEN**®

---

**THE TIMKEN COMPANY**  
NORTH CANTON, OHIO USA

<b>5204K</b>	
Fafnir® Double Row Angular Contact Ball Bearings (5200, 5300, 5400)	
Dynamic Load Rating	22600 N
Static Load Rating	12600 N

Every reasonable effort has been made to ensure the accuracy of the information contained in this writing, but no liability is accepted for errors, omissions or for any other reason.

**FOR DISCUSSION ONLY**