



The Timken Company

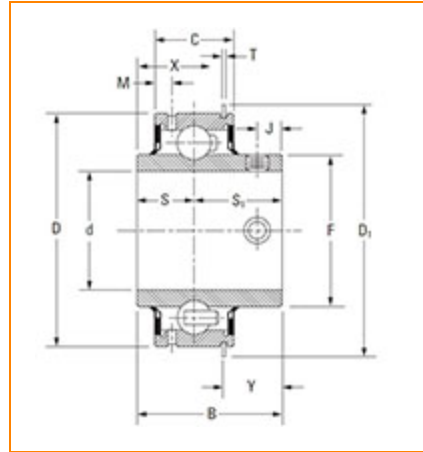
4500 Mt Pleasant St. NW

N. Canton, OH 44720

Phone: (234) 262-3000

E-Mail: CustomerCAD@timken.com • **Web site:** www.timken.com

Part Number ER12, Fafnir® Wide Inner Ring Setscrew Locking Ball Bearings



[Specifications](#) | [Dimensions](#) | [Basic Load Ratings](#)

Specifications

Series	Industrial
Shaft Size d	3/4 in
Bore Type	Cylindrical bore
Bearing Type	Ball Bearing
Material	Bearing Steel
Lubrication Type	Relubricatable
O.D. Type	Cylindrical OD
Sub Series	ER
Seal Type	Narrow Shroud
Basic Outer Ring Size	204

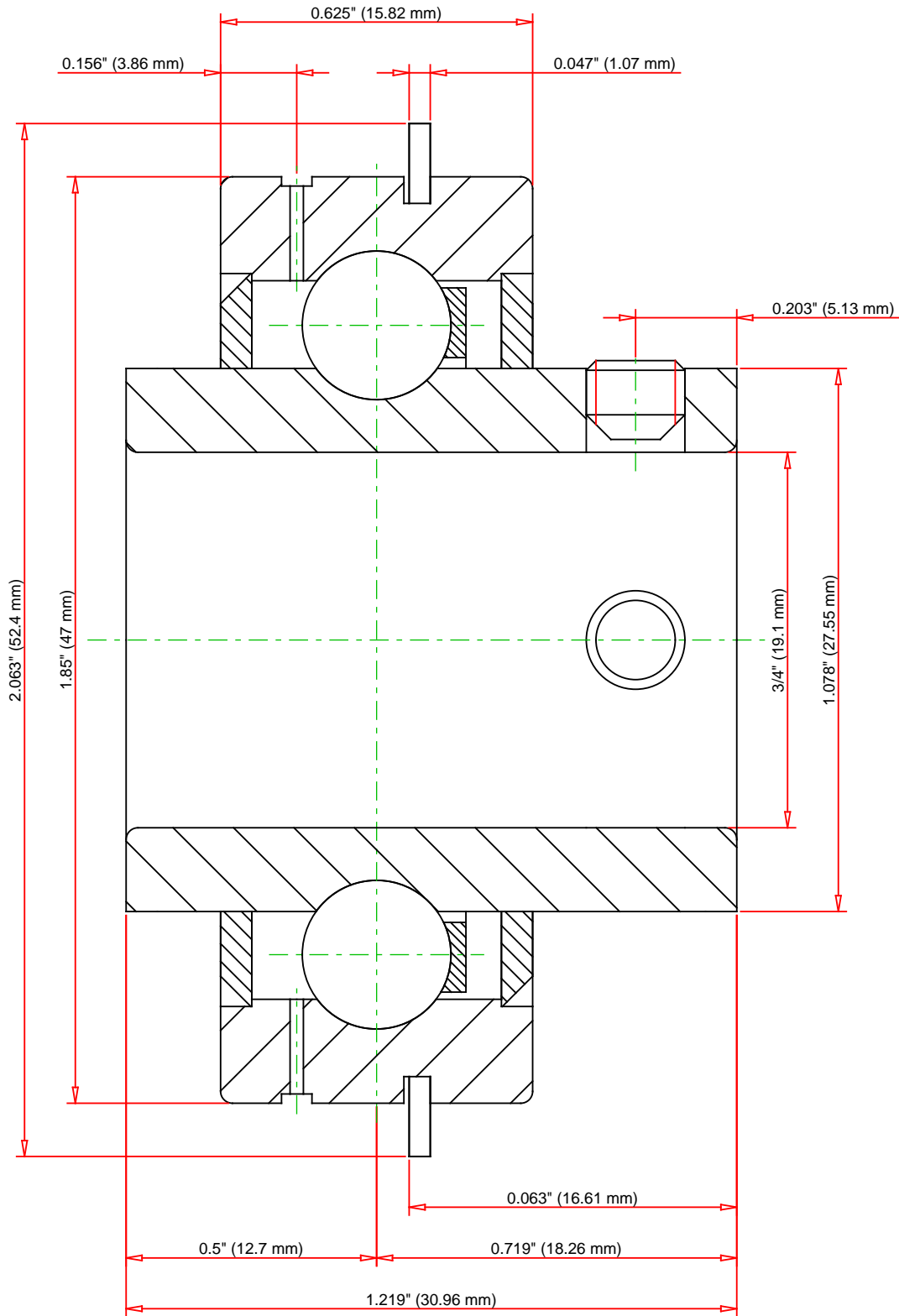


Dimensions

Outside Diameter D	1.85 in 47 mm
Inner Ring Width B	1.219 in 30.96 mm
Outside Ring Width C	0.625 in 15.82 mm
Radius r	0.024 in 0.6 mm
Center of Bearing from End S	0.5 in 12.7 mm
Dimension S1	0.719 in 18.26 mm
Dimension F	1.078 in 27.55 mm
Dimension J	0.203 in 5.13 mm
Dimension M	0.156 in 3.86 mm
Dimension D1	2.063 in 52.4 mm
Dimension T	0.047 in 1.07 mm
Dimension X	0.563 in 14.35 mm
Dimension Y	0.063 in 16.61 mm
Set Screw Size	M5X.8
Number of Set Screws	2
Angle between Set Screws	90 °

Basic Load Ratings

Static Load Rating	1480 lbf 6571.2 N
Dynamic Load Rating	3190 lbf 14163.6 N



Weight	0.31 lb	0.141 kg
--------	---------	----------

TIMKEN®

THE TIMKEN COMPANY
NORTH CANTON, OHIO USA

ER12

Fafnir® Wide Inner Ring Setscrew Locking Ball Bearings

Basic Load Ratings - C _r	3190 lbf	14163.6 N
Load Ratings - C _{0r}	1480 lbf	6571.2 N

Every reasonable effort has been made to ensure the accuracy of the information contained in this writing, but no liability is accepted for errors, omissions or for any other reason.

FOR DISCUSSION ONLY