



The Timken Company

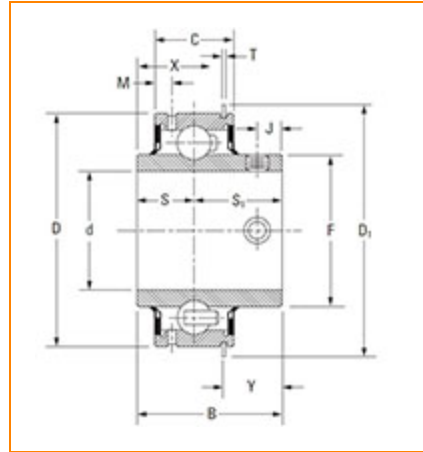
4500 Mt Pleasant St. NW

N. Canton, OH 44720

Phone: (234) 262-3000

E-Mail: CustomerCAD@timken.com • **Web site:** www.timken.com

Part Number ER35, Fafnir® Wide Inner Ring Setscrew Locking Ball Bearings



[Specifications](#) | [Dimensions](#) | [Basic Load Ratings](#)

Specifications

Series	Industrial
Shaft Size d	2 3/16 in
Bore Type	Cylindrical bore
Bearing Type	Ball Bearing
Material	Bearing Steel
Lubrication Type	Relubricatable
O.D. Type	Cylindrical OD
Sub Series	ER
Seal Type	Narrow Shroud
Basic Outer Ring Size	211

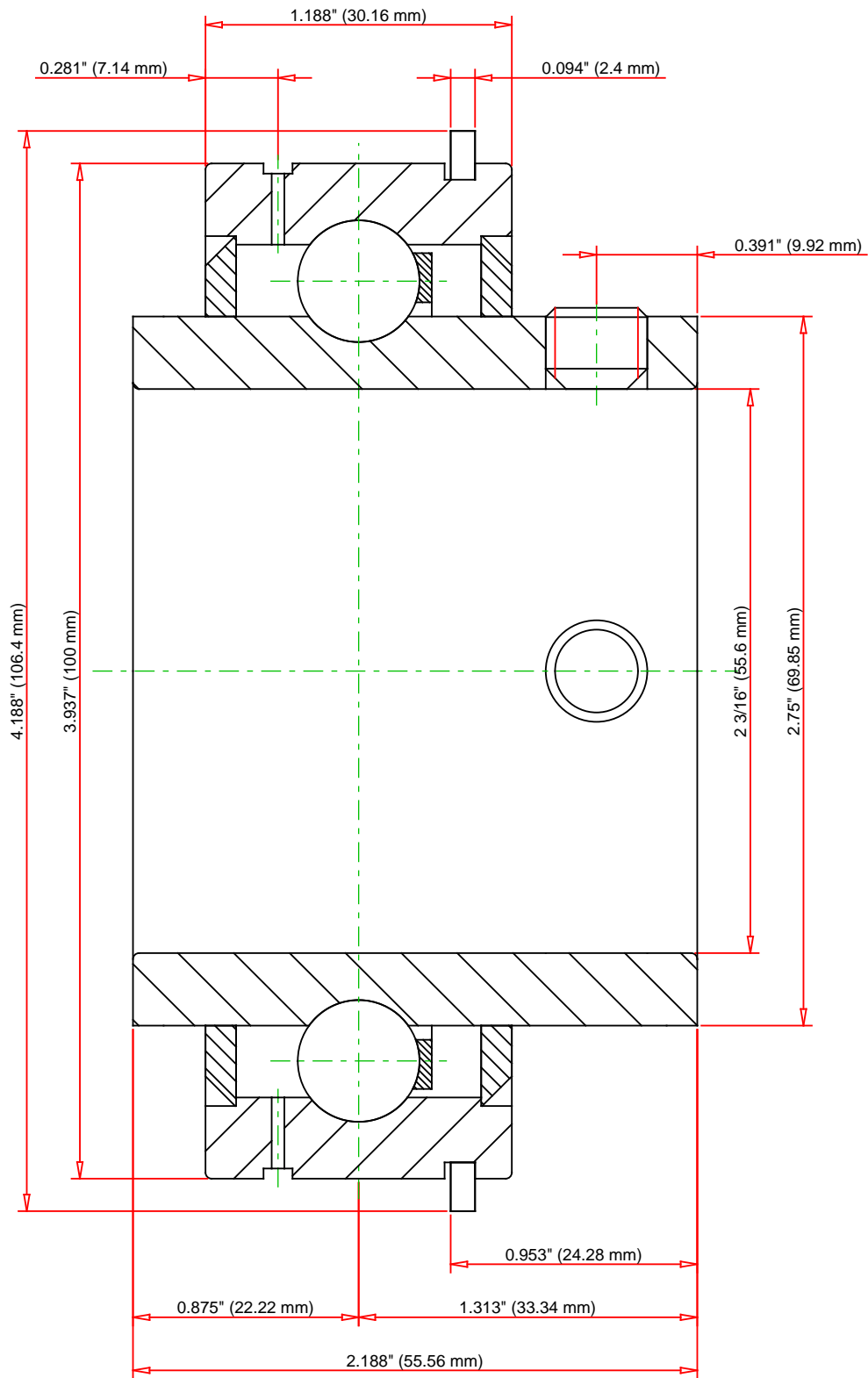


Dimensions

Outside Diameter D	3.937 in 100 mm
Inner Ring Width B	2.188 in 55.56 mm
Outside Ring Width C	1.188 in 30.16 mm
Radius r	0.024 in 0.6 mm
Center of Bearing from End S	0.875 in 22.22 mm
Dimension S1	1.313 in 33.34 mm
Dimension F	2.75 in 69.85 mm
Dimension J	0.391 in 9.92 mm
Dimension M	0.281 in 7.14 mm
Dimension D1	4.188 in 106.4 mm
Dimension T	0.094 in 2.4 mm
Dimension X	1.234 in 31.27 mm
Dimension Y	0.953 in 24.28 mm
Set Screw Size	M10x1.5
Number of Set Screws	2
Angle between Set Screws	90°

Basic Load Ratings

Static Load Rating	6570 lbf 29170.8 N
Dynamic Load Rating	10800 lbf 47952 N



Weight	2.39 lb	1.084 kg
--------	---------	----------

TIMKEN[®]

THE TIMKEN COMPANY
NORTH CANTON, OHIO USA

ER35
Fafnir[®] Wide Inner Ring Setscrew Locking Ball Bearings

Basic Load Ratings - C _r	10800 lbf	47952 N
Load Ratings - C _{0r}	6570 lbf	29170.8 N

Every reasonable effort has been made to ensure the accuracy of the information contained in this writing, but no liability is accepted for errors, omissions or for any other reason.

FOR DISCUSSION ONLY