



The Timken Company

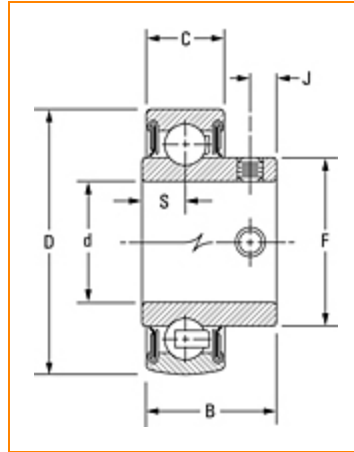
4500 Mt Pleasant St. NW

N. Canton, OH 44720

Phone: (234) 262-3000

E-Mail: CustomerCAD@timken.com • **Web site:** www.timken.com

Part Number YA100RR, Fafnir® Wide Inner Ring Setscrew Locking Ball Bearings



[Specifications](#) | [Dimensions](#) | [Basic Load Ratings](#)

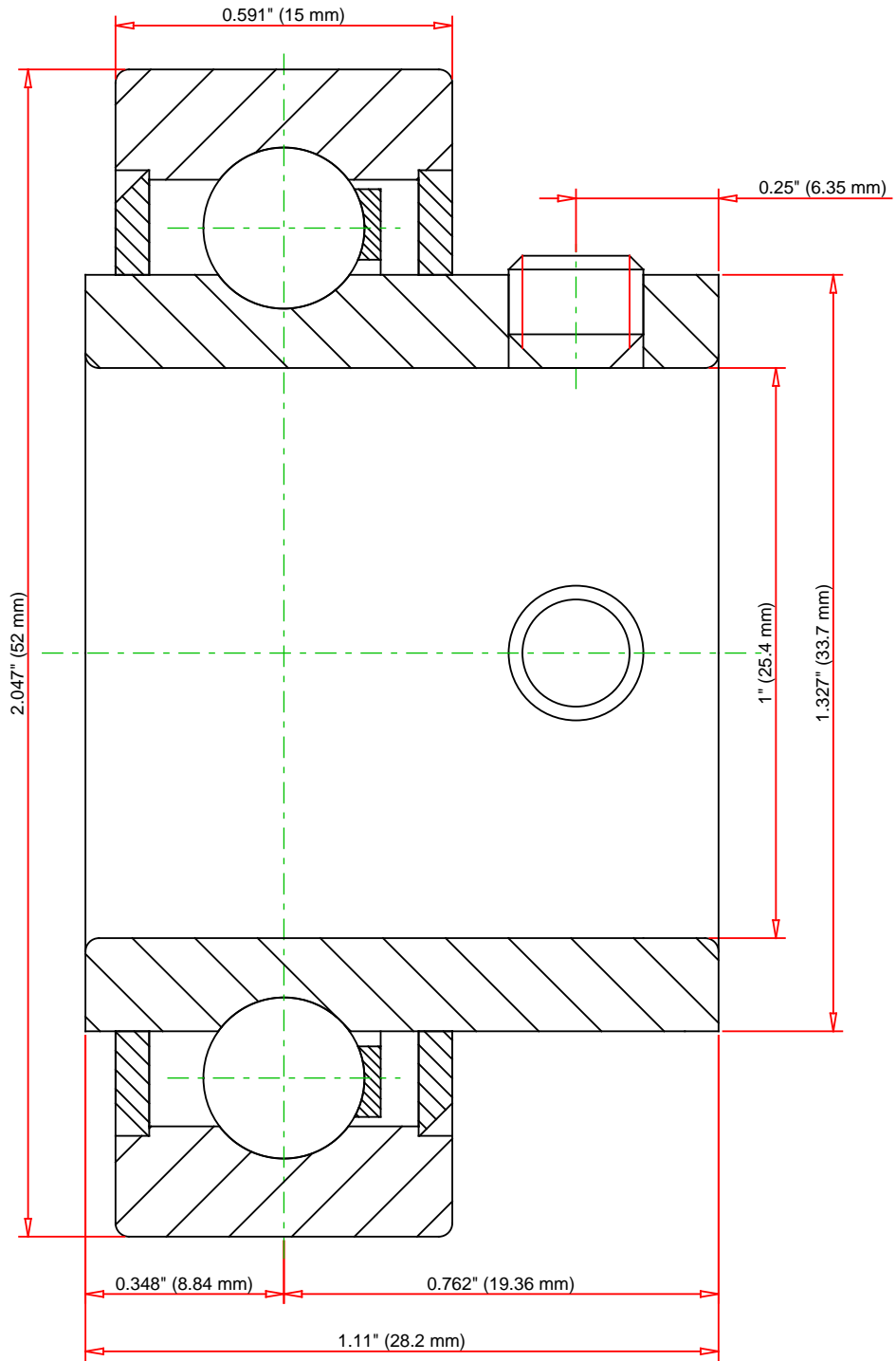
Specifications

Series	Standard
Shaft Size d	1 in
Bore Type	Cylindrical bore
Bearing Type	Ball Bearing
Material	Bearing Steel
Lubrication Type	Non-Relubricatable
O.D. Type	Cylindrical OD
Sub Series	YA..RR
Seal Type	Narrow Shroud

Outside Diameter D	2.047 in 52 mm
Inner Ring Width B	1.11 in 28.2 mm
Outside Ring Width C	0.591 in 15 mm
Radius r	0.024 in 0.6 mm
Center of Bearing from End S	0.348 in 8.84 mm
Dimension S1	0.762 in 19.36 mm
Dimension F	1.327 in 33.7 mm
Dimension J	0.25 in 6.35 mm
Set Screw Size	M6x1
Number of Set Screws	2
Angle between Set Screws	90 °

Basic Load Ratings

Static Load Rating	1750 lbf 7800 N
Dynamic Load Rating	3490 lbf 15500 N



Weight	0.5 lb	0.2 kg
--------	--------	--------

TIMKEN®

THE TIMKEN COMPANY
NORTH CANTON, OHIO USA

YA100RR

Fafnir® Wide Inner Ring Setscrew Locking Ball Bearings

Basic Load Ratings - C _r	3490 lbf	15500 N
Load Ratings - C _{0r}	1750 lbf	7800 N

Every reasonable effort has been made to ensure the accuracy of the information contained in this writing, but no liability is accepted for errors, omissions or for any other reason.

FOR DISCUSSION ONLY