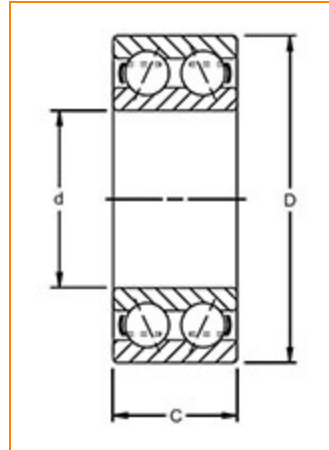



The Timken Company

4500 Mt Pleasant St. NW

N. Canton, OH 44720

Phone: (234) 262-3000

E-Mail: CustomerCAD@timken.com • **Web site:** www.timken.com
Part Number 5211K, Fafnir® Double Row Angular Contact Ball Bearings (5200, 5300, 5400)

[Specifications](#) | [Dimensions](#) | [Basic Load Ratings](#) | [Abutment and Fillet Dimensions](#)
Specifications

Design Units	Metric
d - Bore	55 mm
Ball Type	STEEL
Cage Type	Snap In
Manufacturing Part Number	5211K C3

Dimensions

D - Outer Diameter	100 mm 3.937 in
C - Ring Width	33.32 mm 1.312 in
Contact Angle	20°



Basic Load Ratings

C0 - Static Radial Rating	71000 N 12700 lbf
Ce - Dynamic Radial Rating¹	76000 N 17300 lbf

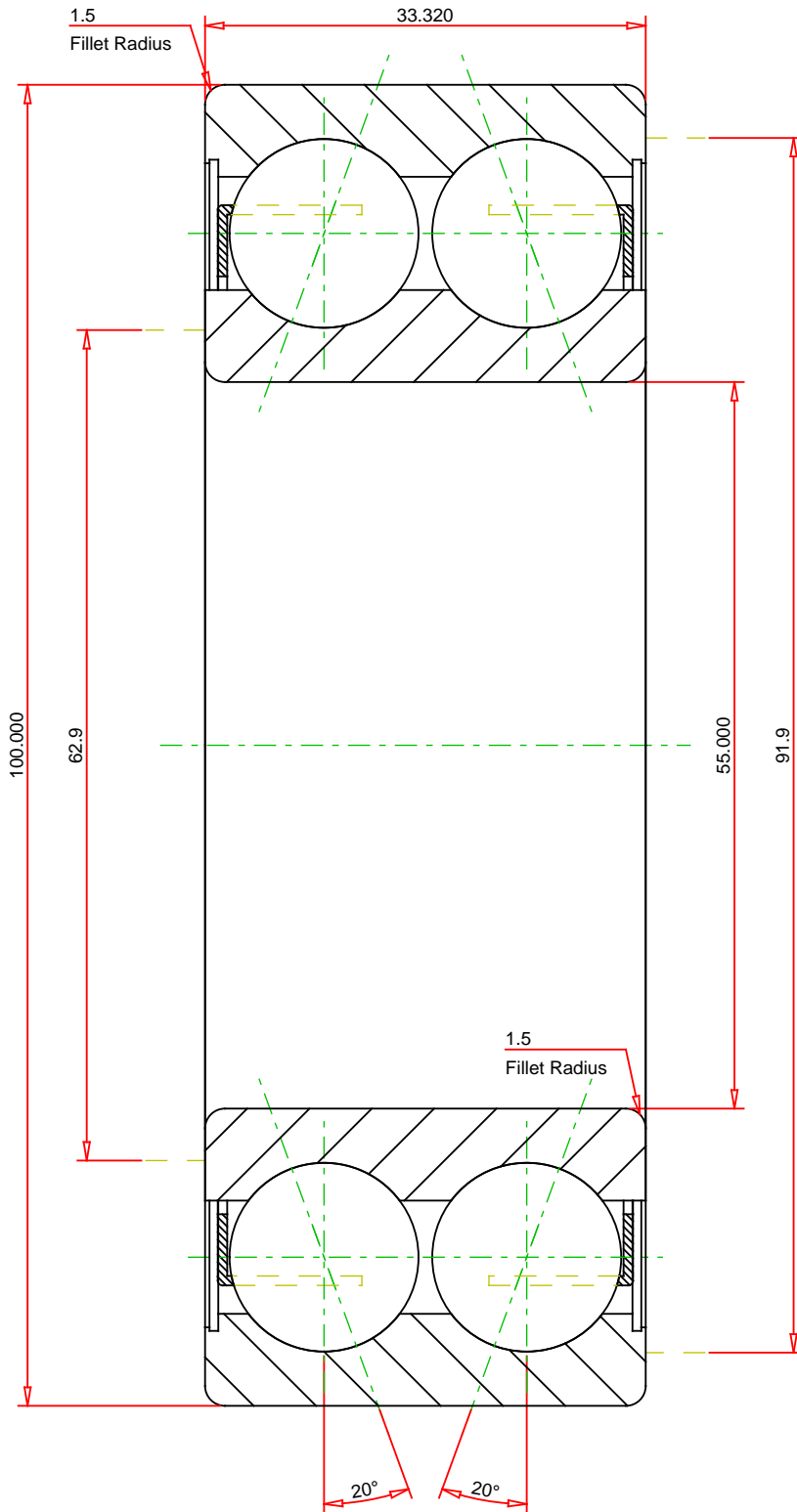
Abutment and Fillet Dimensions

R - Inner Ring "To Clear" Radius²	1.5 mm 0.059 in
r - Outer Ring "To Clear" Radius³	1.5 mm 0.059 in
da - Inner Ring Backing Diameter	62.865 mm 2.475 in
Da - Outer Ring Backing Diameter	91.948 mm 3.620 in

¹ Based on 10^6 revolutions of calculated fatigue life.

² Maximum housing fillet radius that bearing corners will clear.

³ Maximum shaft fillet radius that bearing corners will clear.



METRIC UNITS

Number of Balls Per Row 10
 Bearing Weight 1.039 kg

TIMKEN®

THE TIMKEN COMPANY
 NORTH CANTON, OHIO USA

5211K
 Fafnir® Double Row Angular Contact Ball Bearings
 (5200, 5300, 5400)

Dynamic Load Rating 76000 N
 Static Load Rating 71000 N

Every reasonable effort has been made to ensure the accuracy of the information contained in this writing, but no liability is accepted for errors, omissions or for any other reason.

FOR DISCUSSION ONLY