

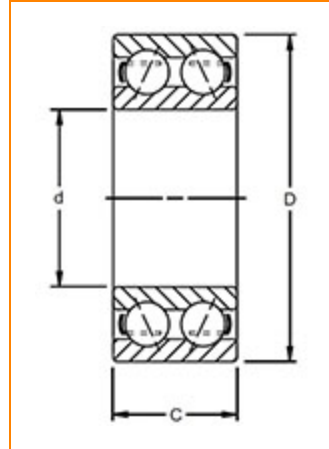
TIMKEN**The Timken Company**

4500 Mt Pleasant St. NW

N. Canton, OH 44720

Phone: (234) 262-3000**E-Mail:** CustomerCAD@timken.com • **Web site:** www.timken.com

Part Number 5212W, Fafnir® Double Row Angular Contact Ball Bearings (5200, 5300, 5400)




[Specifications](#) | [Dimensions](#) | [Basic Load Ratings](#) | [Abutment and Fillet Dimensions](#)

Specifications

| | |
|---------------------|---------|
| Design Units | Metric |
| d - Bore | 60 mm |
| Ball Type | STEEL |
| Cage Type | Snap In |

Dimensions

| | |
|---------------------------------------------------------------------------------------------------------|----------------------|
| D - Outer Diameter | 110 mm 4.3307 in |
| C - Ring Width | 36.53 mm 1.438 in |
|  Contact Angle | 30 ° |

Basic Load Ratings

| | |
|-----------------------------------------------|-----------------------|
| C0 - Static Radial Rating | 72000 N 20000 lbf |
| Ce - Dynamic Radial Rating¹ | 103000 N 23800 lbf |

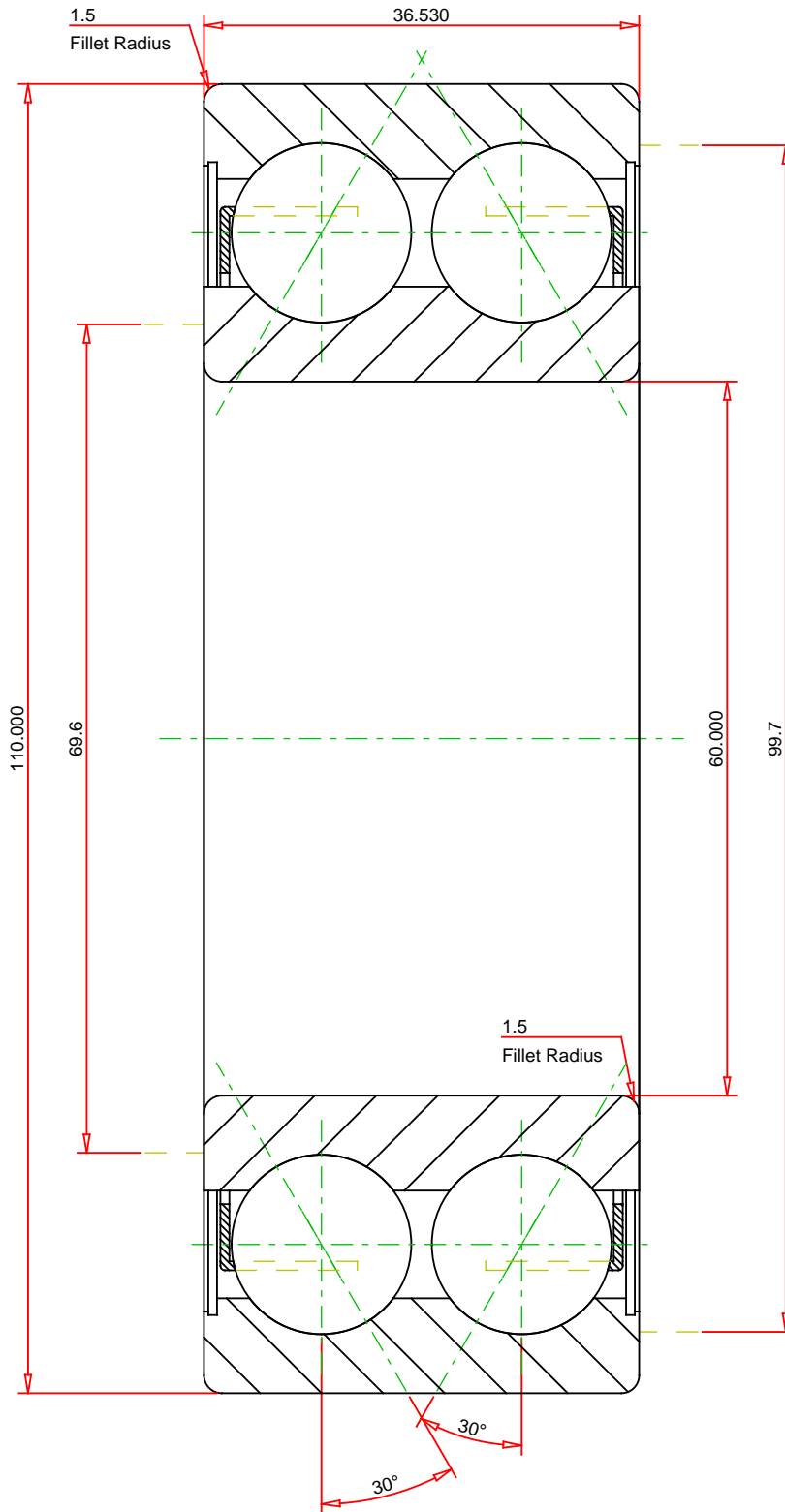
Abutment and Fillet Dimensions

| | |
|-----------------------------------------------------|-----------------------|
| R - Inner Ring "To Clear" Radius² | 1.5 mm 0.059 in |
| r - Outer Ring "To Clear" Radius³ | 1.5 mm 0.059 in |
| da - Inner Ring Backing Diameter | 69.596 mm 2.740 in |
| Da - Outer Ring Backing Diameter | 99.695 mm 3.925 in |

¹ Based on 10^6 revolutions of calculated fatigue life.

² Maximum housing fillet radius that bearing corners will clear.

³ Maximum shaft fillet radius that bearing corners will clear.



METRIC UNITS

Number of Balls Per Row 15
 Bearing Weight 1.388 kg

TIMKEN®

5212W
 Fafnir® Double Row Angular Contact Ball Bearings
 (5200, 5300, 5400)

THE TIMKEN COMPANY
 NORTH CANTON, OHIO USA

Dynamic Load Rating 103000 N
 Static Load Rating 72000 N

Every reasonable effort has been made to ensure the accuracy of the information contained in this writing, but no liability is accepted for errors, omissions or for any other reason.

FOR DISCUSSION ONLY