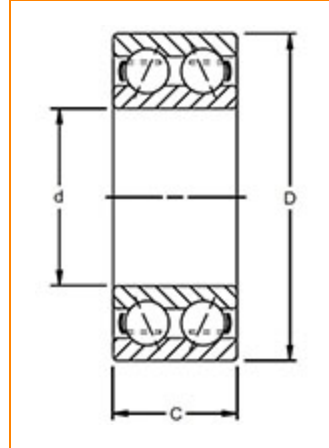



The Timken Company

4500 Mt Pleasant St. NW

N. Canton, OH 44720

Phone: (234) 262-3000

E-Mail: CustomerCAD@timken.com • **Web site:** www.timken.com
Part Number 5303K, Fafnir® Double Row Angular Contact Ball Bearings (5200, 5300, 5400)

[Specifications](#) | [Dimensions](#) | [Basic Load Ratings](#) | [Abutment and Fillet Dimensions](#)
Specifications

Design Units	Metric
d - Bore	17 mm
Ball Type	STEEL
Cage Type	Snap In
Manufacturing Part Number	5303K C1

Dimensions

D - Outer Diameter	47 mm 1.8504 in
C - Ring Width	22.22 mm 0.8750 in
Contact Angle	20°



Basic Load Ratings

C0 - Static Radial Rating	12600 N 2850 lbf
Ce - Dynamic Radial Rating¹	22600 N 5100 lbf

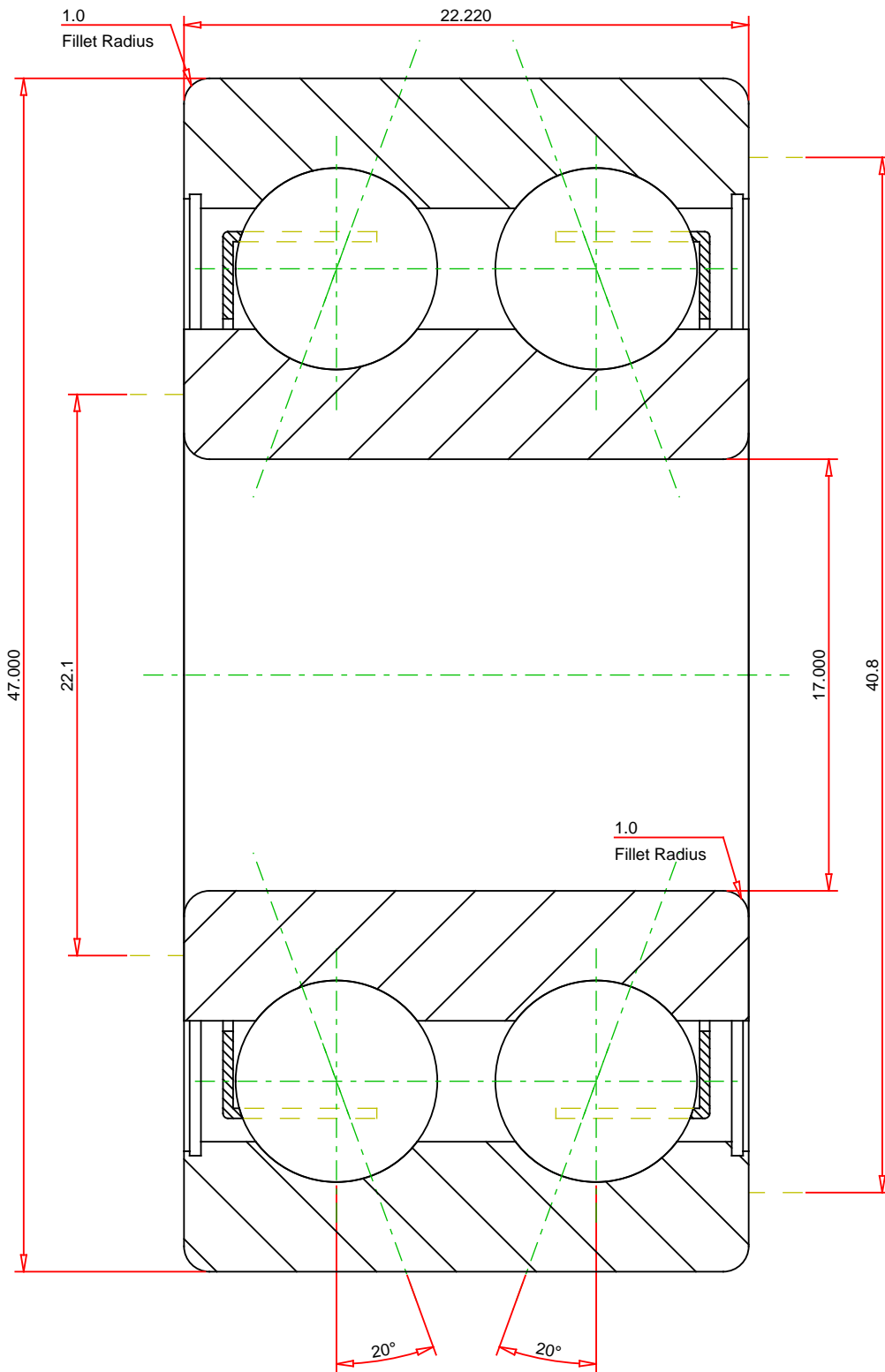
Abutment and Fillet Dimensions

R - Inner Ring "To Clear" Radius²	1 mm 0.039 in
r - Outer Ring "To Clear" Radius³	1 mm 0.039 in
da - Inner Ring Backing Diameter	22.100 mm 0.870 in
Da - Outer Ring Backing Diameter	40.770 mm 1.605 in

¹ Based on 10^6 revolutions of calculated fatigue life.

² Maximum housing fillet radius that bearing corners will clear.

³ Maximum shaft fillet radius that bearing corners will clear.



METRIC UNITS

Number of Balls Per Row 8
 Bearing Weight 0.191 kg

TIMKEN®

5303K
 Fafnir® Double Row Angular Contact Ball Bearings
 (5200, 5300, 5400)

THE TIMKEN COMPANY
 NORTH CANTON, OHIO USA

Dynamic Load Rating 22600 N
 Static Load Rating 12600 N

Every reasonable effort has been made to ensure the accuracy of the information contained in this writing, but no liability is accepted for errors, omissions or for any other reason.

FOR DISCUSSION ONLY