


The Timken Company

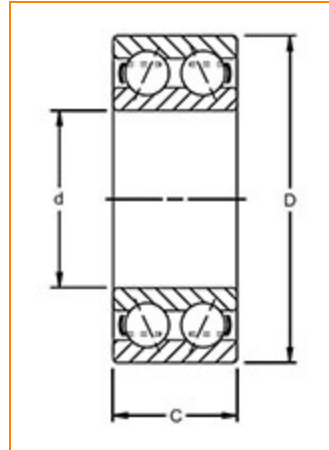
4500 Mt Pleasant St. NW

N. Canton, OH 44720

Phone: (234) 262-3000

E-Mail: CustomerCAD@timken.com • **Web site:** www.timken.com

Part Number 5305K, Fafnir® Double Row Angular Contact Ball Bearings (5200, 5300, 5400)


[Specifications](#) | [Dimensions](#) | [Basic Load Ratings](#) | [Abutment and Fillet Dimensions](#)
Specifications

Design Units	Metric
d - Bore	25 mm
Ball Type	STEEL
Cage Type	Snap In

Dimensions

D - Outer Diameter	62 mm 2.4409 in
C - Ring Width	25.4 mm 1 in
Contact Angle	20°



Basic Load Ratings

C0 - Static Radial Rating	21100 N 4750 lbf
Ce - Dynamic Radial Rating¹	37700 N 8500 lbf

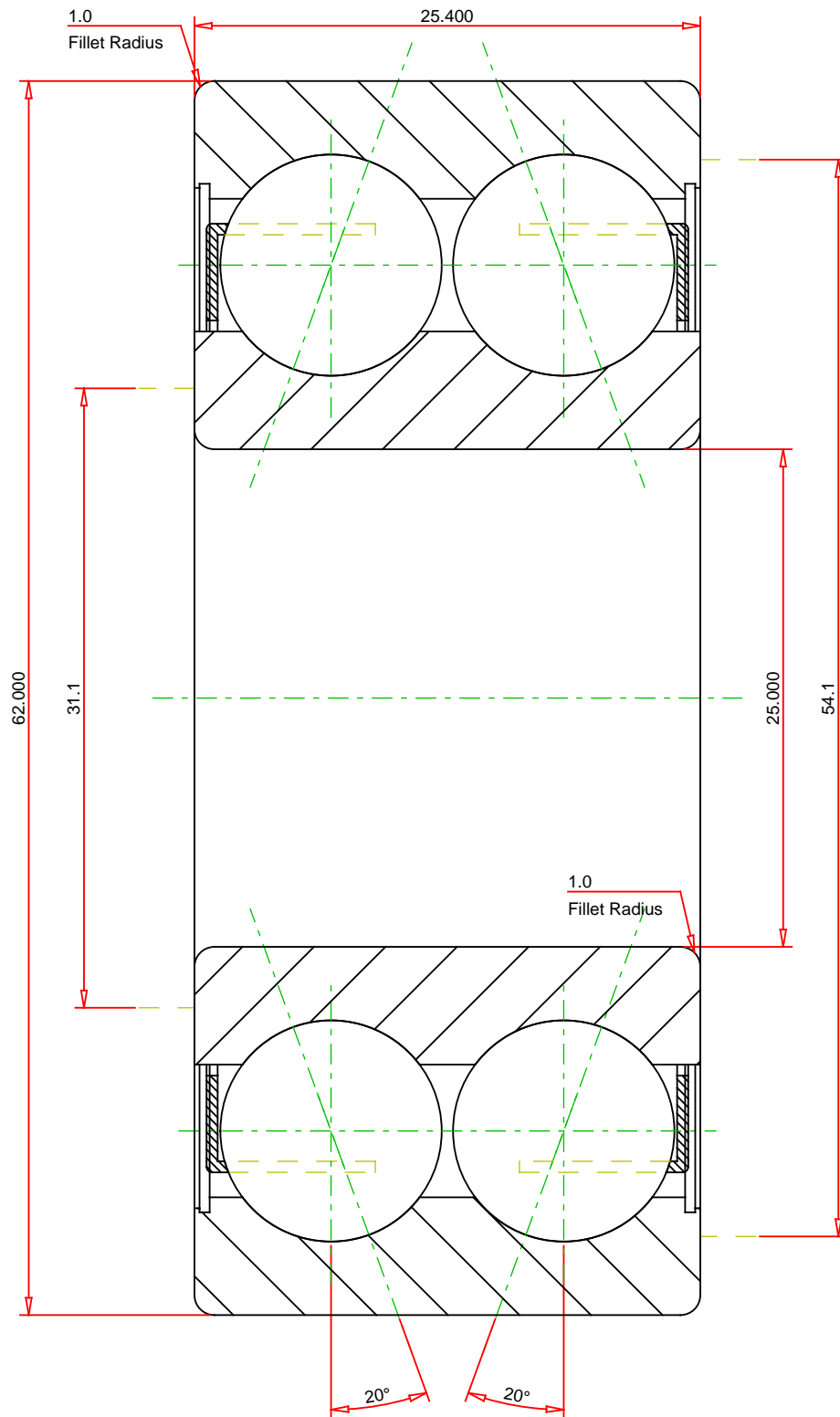
Abutment and Fillet Dimensions

R - Inner Ring "To Clear" Radius²	1 mm 0.039 in
r - Outer Ring "To Clear" Radius³	1 mm 0.039 in
da - Inner Ring Backing Diameter	31.120 mm 1.225 in
Da - Outer Ring Backing Diameter	54.100 mm 2.130 in

¹ Based on 10^6 revolutions of calculated fatigue life.

² Maximum housing fillet radius that bearing corners will clear.

³ Maximum shaft fillet radius that bearing corners will clear.



METRIC UNITS

Number of Balls Per Row	7
Bearing Weight	0.367 kg

TIMKEN®

THE TIMKEN COMPANY
NORTH CANTON, OHIO USA

5305K	
Fafnir® Double Row Angular Contact Ball Bearings (5200, 5300, 5400)	
Dynamic Load Rating	37700 N
Static Load Rating	21100 N

Every reasonable effort has been made to ensure the accuracy of the information contained in this writing, but no liability is accepted for errors, omissions or for any other reason.

FOR DISCUSSION ONLY