

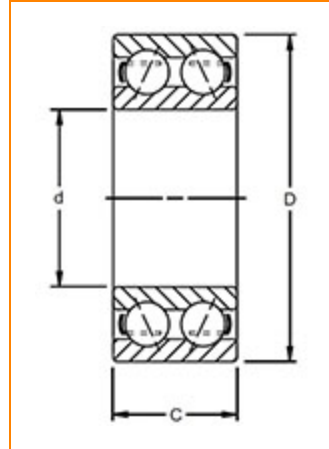
TIMKEN**The Timken Company**

4500 Mt Pleasant St. NW

N. Canton, OH 44720

Phone: (234) 262-3000**E-Mail:** CustomerCAD@timken.com • **Web site:** www.timken.com

Part Number 5310W, Fafnir® Double Row Angular Contact Ball Bearings (5200, 5300, 5400)




[Specifications](#) | [Dimensions](#) | [Basic Load Ratings](#) | [Abutment and Fillet Dimensions](#)

Specifications

Design Units	Metric
d - Bore	50 mm
Ball Type	STEEL
Cage Type	Snap In
Manufacturing Part Number	5310W C2

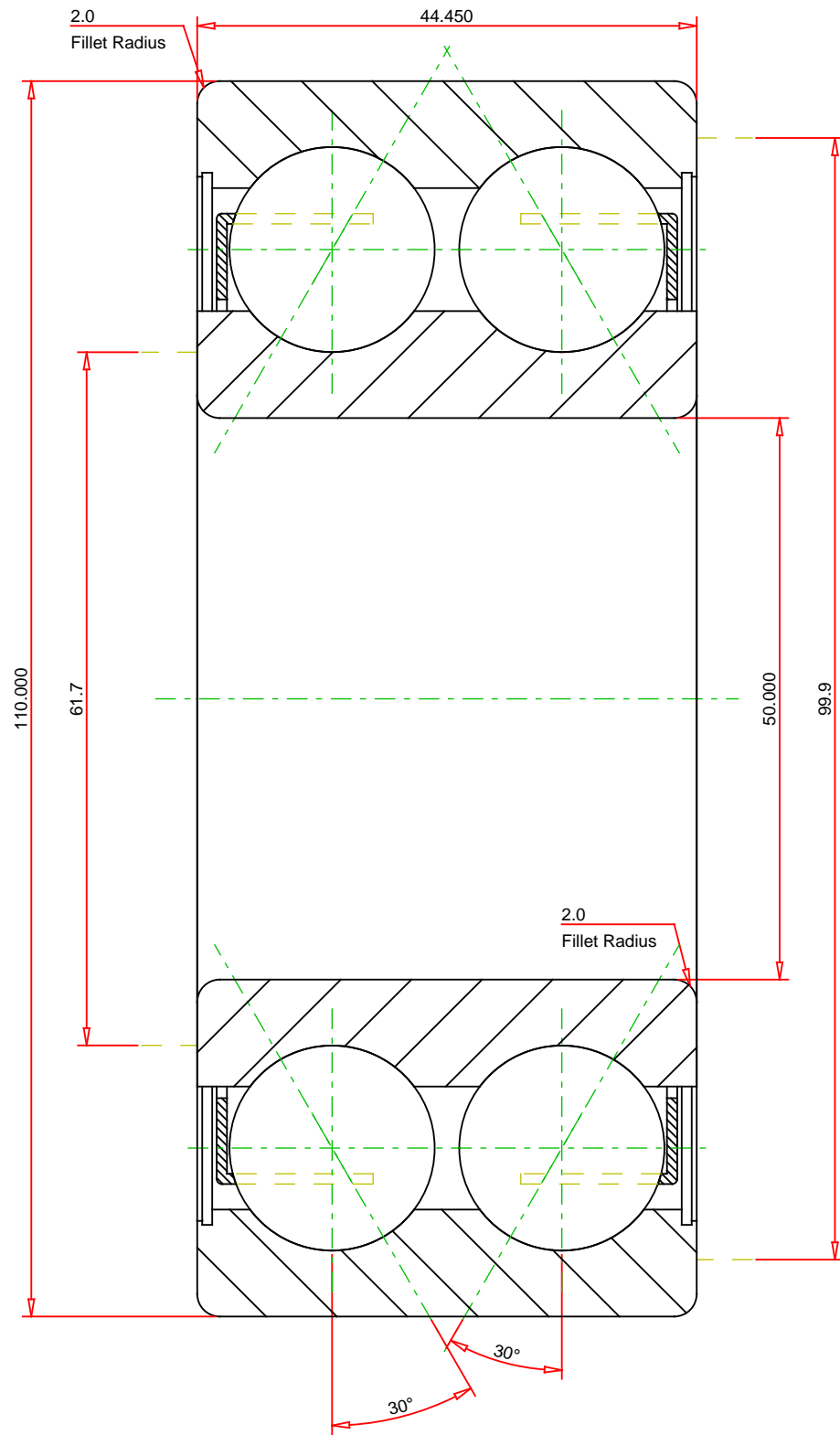
Dimensions

D - Outer Diameter	110 mm 4.3307 in
 - Ring Width	44.45 mm 1.7500 in

Contact Angle

30 °

Basic Load Ratings**C0 - Static Radial Rating**97000 N
22000 lbf**Ce - Dynamic Radial Rating¹**126000 N
28500 lbf**Abutment and Fillet Dimensions****R - Inner Ring "To Clear" Radius²**2 mm
0.079 in**r - Outer Ring "To Clear" Radius³**2 mm
0.079 in**da - Inner Ring Backing Diameter**61.722 mm
2.430 in**Da - Outer Ring Backing
Diameter**99.873 mm
3.932 in¹ Based on 10^6 revolutions of calculated fatigue life.² Maximum housing fillet radius that bearing corners will clear.³ Maximum shaft fillet radius that bearing corners will clear.



METRIC UNITS

Number of Balls Per Row	12
Bearing Weight	2.091 kg

TIMKEN®

THE TIMKEN COMPANY
NORTH CANTON, OHIO USA

5310W	
Fafnir® Double Row Angular Contact Ball Bearings (5200, 5300, 5400)	
Dynamic Load Rating	126000 N
Static Load Rating	97000 N

Every reasonable effort has been made to ensure the accuracy of the information contained in this writing, but no liability is accepted for errors, omissions or for any other reason.

FOR DISCUSSION ONLY