


**The Timken Company**

4500 Mt Pleasant St. NW

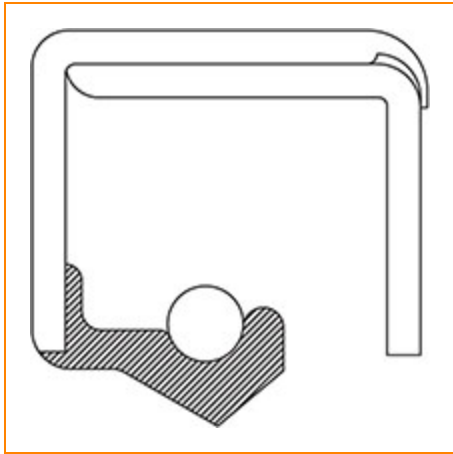
N. Canton, OH 44720

**Phone:** (234) 262-3000

**E-Mail:** [CustomerCAD@timken.com](mailto:CustomerCAD@timken.com) • **Web site:** [www.timken.com](http://www.timken.com)

## Part Number 455500, Oil Seals Inch

Oil seals are used wherever shafts rotate and bearings require lubrication. Available in inch and metric sizes, the Timken line of O-Ring Seal Kits have the coverage you need for the most popular applications.



[Notes](#) | [Specifications](#) | [Dimensions](#)

### Notes

**Disclaimer**

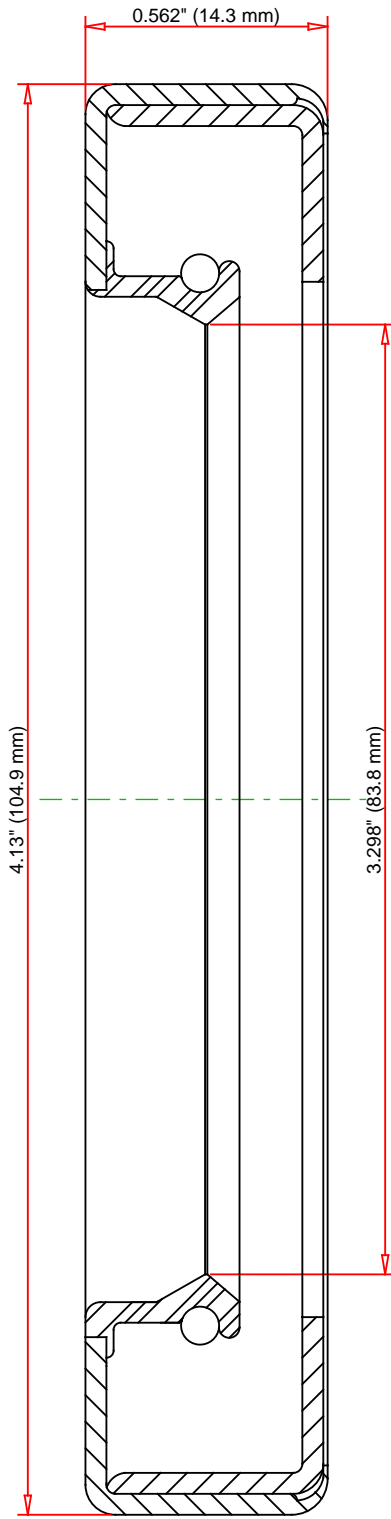
CAD Models / Sales Drawings are accurate envelope dimensions. Internal features such as lip position may vary from seal to seal and are only representative.

### Specifications

|  |                    |
|--|--------------------|
| Seal Type  | <a href="#">45</a> |
| Material   | Nitrile            |
| Series   | 450000             |
| Redicoat   | Yes                |
|  Inch/Metric | Inch               |

## Dimensions

|                       |            |
|-----------------------|------------|
| <b>Shaft Size</b>     | 83.769 mm  |
| <b>Outer Diameter</b> | 104.902 mm |
| <b>Overall Width</b>  | 14.275 mm  |
| <b>Housing Bore</b>   | 104.775 mm |



DIMENSIONS ACCURATE  
DRAWINGS MAY NOT LOOK PROPORTIONAL

IMPERIAL UNITS

**TIMKEN**®

**THE TIMKEN COMPANY**  
NORTH CANTON, OHIO USA

455500  
Oil Seals Inch

Every reasonable effort has been made to ensure the accuracy of the information contained in this writing, but no liability is accepted for errors, omissions or for any other reason.

FOR DISCUSSION ONLY