



**The Timken Company**

4500 Mt Pleasant St. NW

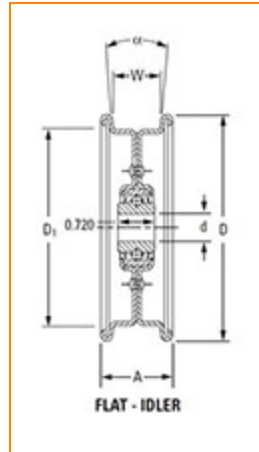
N. Canton, OH 44720

**Phone:** (234) 262-3000

**E-Mail:** [CustomerCAD@timken.com](mailto:CustomerCAD@timken.com) • **Web site:** [www.timken.com](http://www.timken.com)

## Part Number 006-11581A, Idler Pulley Units

Timken's integrated, pressed-steel idler pulleys combine a precision ball bearing with rubber seals to create a self-contained unit.



[Specifications](#) | [Dimensions](#)

### Specifications

<b>Type</b>	FLAT - IDLER
<b><math>\alpha</math> Included Angle</b>	10 °
<b>Bearing Number</b>	WS3NPP3
<b>Bore</b>	0.394/0.385 in 10.01/9.78 mm

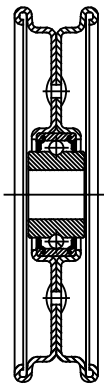
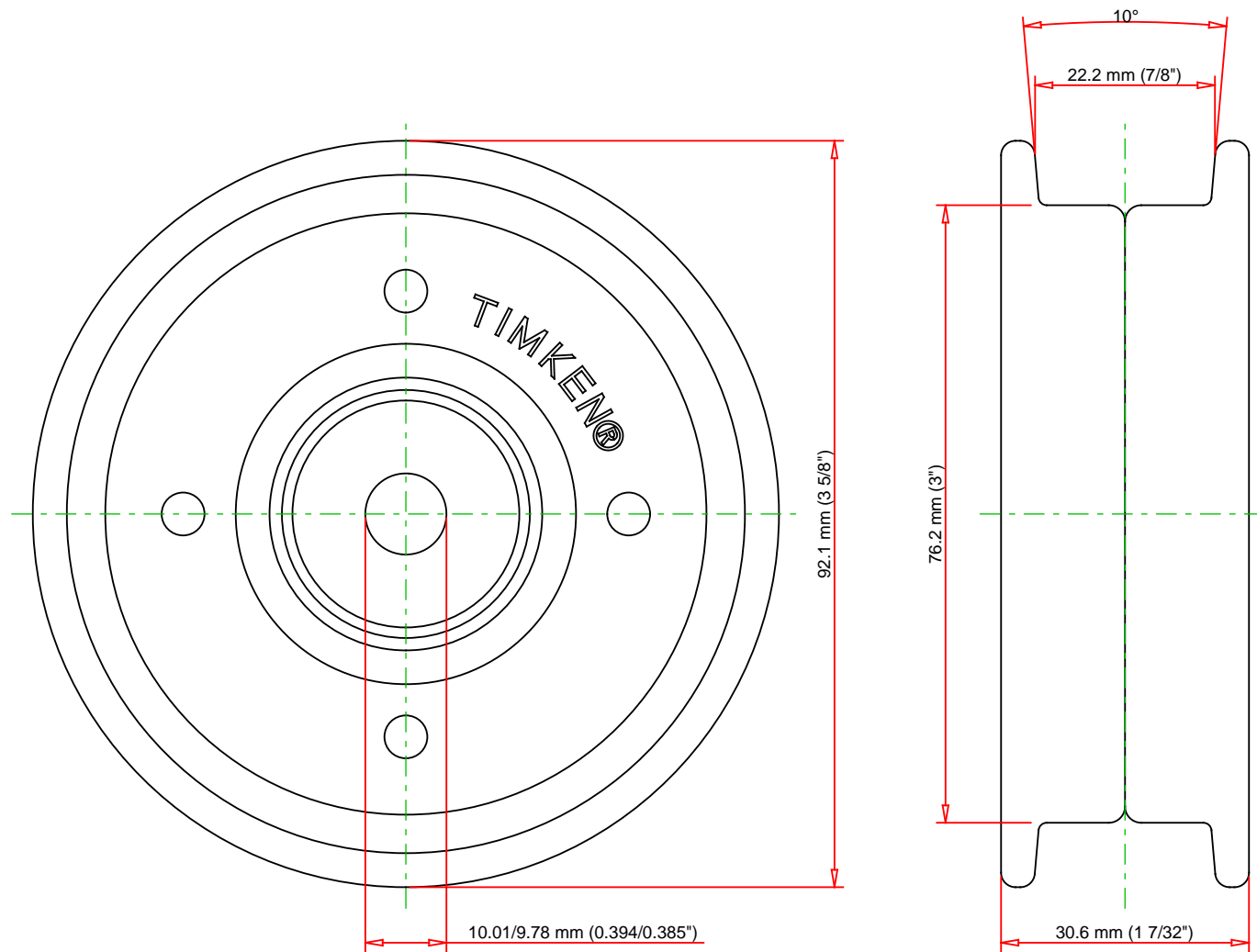
### Dimensions

<b>Outside Diameter D</b>	3.6250 in 92.1 mm
<b>Width A</b>	1 7/32 in 30.6 mm



**Dimension D1**                      3 in  
   76.2 mm

**Dimension W**                      7/8 in  
   22.2 mm



Note: Section View not to Scale

Weight	0.57	lb	0.259	kg

**TIMKEN**

THE TIMKEN COMPANY  
NORTH CANTON, OHIO USA

006-11581A

Idler Pulley Units

Every reasonable effort has been made to ensure the accuracy of the information contained in this writing, but no liability is accepted for errors, omissions or for any other reason.

**FOR DISCUSSION ONLY**