



**The Timken Company**

4500 Mt Pleasant St. NW

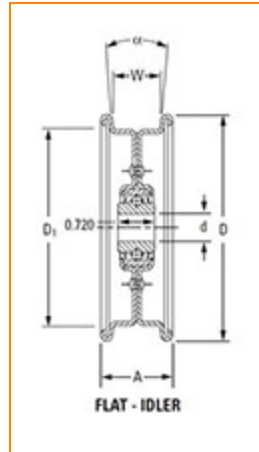
N. Canton, OH 44720

**Phone:** (234) 262-3000

**E-Mail:** [CustomerCAD@timken.com](mailto:CustomerCAD@timken.com) • **Web site:** [www.timken.com](http://www.timken.com)

## Part Number 008-10601, Idler Pulley Units

Timken's integrated, pressed-steel idler pulleys combine a precision ball bearing with rubber seals to create a self-contained unit.



[Specifications](#) | [Dimensions](#)

### Specifications

<b>Type</b>	FLAT - IDLER
<b>α Included Angle</b>	10 °
<b>Bearing Number</b>	203KRR5
<b>Bore</b>	0.515/0.51 in 13.08/12.95 mm

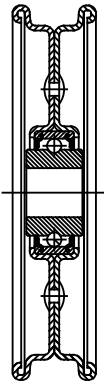
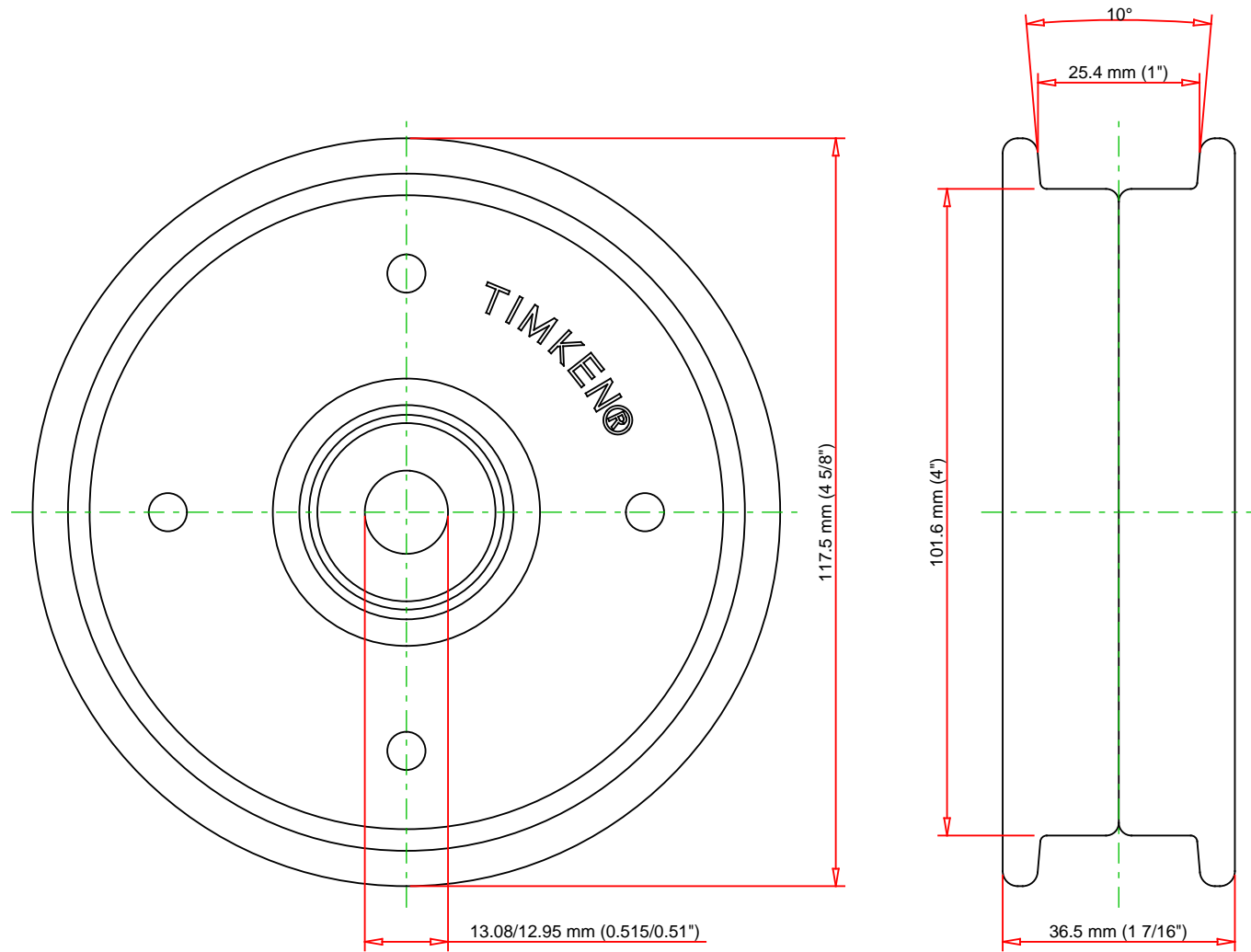
### Dimensions

<b>Outside Diameter D</b>	4.6250 in 117.5 mm
<b>Width A</b>	1 7/16 in 36.5 mm



<b>Dimension D1</b>	4 in 101.6 mm
---------------------	------------------

<b>Dimension W</b>	1 in 25.4 mm
--------------------	-----------------



Note: Section View not to Scale

Weight	1.11	lb	0.503	kg

**TIMKEN**

THE TIMKEN COMPANY  
NORTH CANTON, OHIO USA

008-10601  
Idler Pulley Units

Every reasonable effort has been made to ensure the accuracy of the information contained in this writing, but no liability is accepted for errors, omissions or for any other reason.

**FOR DISCUSSION ONLY**