



**The Timken Company**

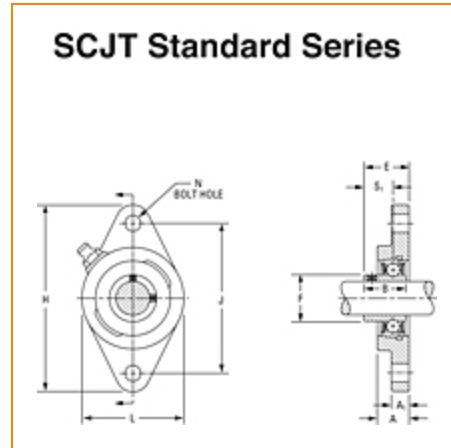
4500 Mt Pleasant St. NW

N. Canton, OH 44720

**Phone:** (234) 262-3000

**E-Mail:** [CustomerCAD@timken.com](mailto:CustomerCAD@timken.com) • **Web site:** [www.timken.com](http://www.timken.com)

## Part Number SCJT1 3/16, Fafnir® Two-Bolt Flanged Mounted Bearings Setscrew Locking



[Specifications](#) | [Dimensions](#) | [Basic Load Ratings](#)

### Specifications

<b>Series</b>	Standard
<b>Shaft Size d</b>	1 3/16 in
<b>Bearing Type</b>	Ball Bearing
<b>Bearing Number</b>	GYA103RRB
<b>Seal Type</b>	Narrow Shroud
<b>Housing Construction</b>	Two-Bolt Flange
<b>Alternate Part Name</b>	SCJT1 3/16

### Dimensions

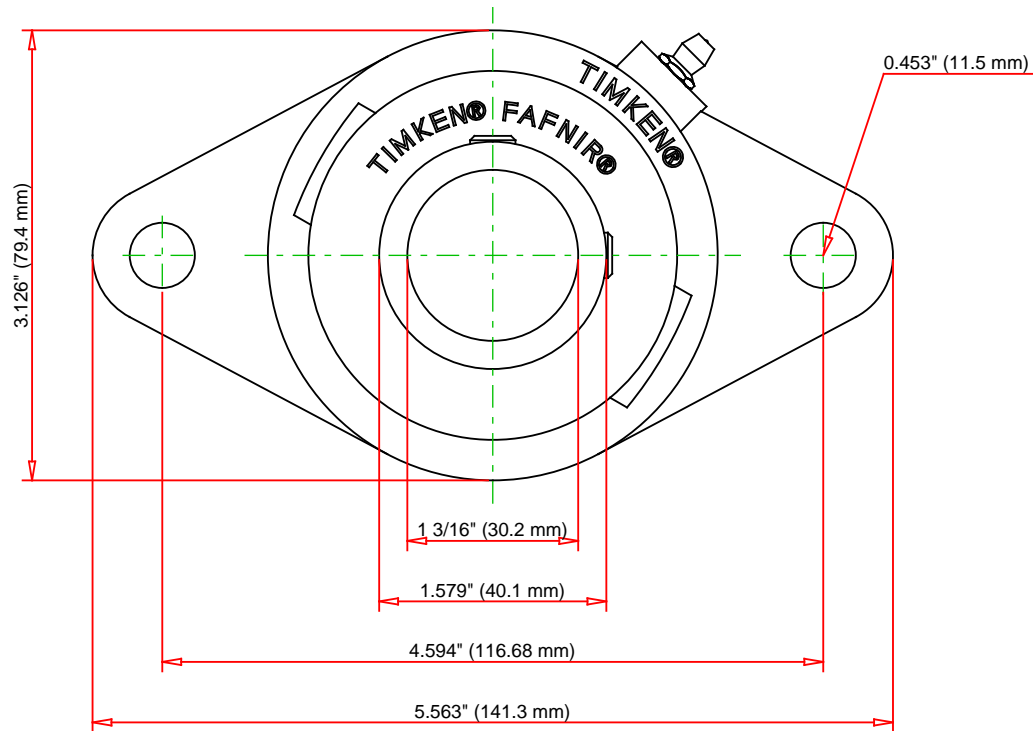
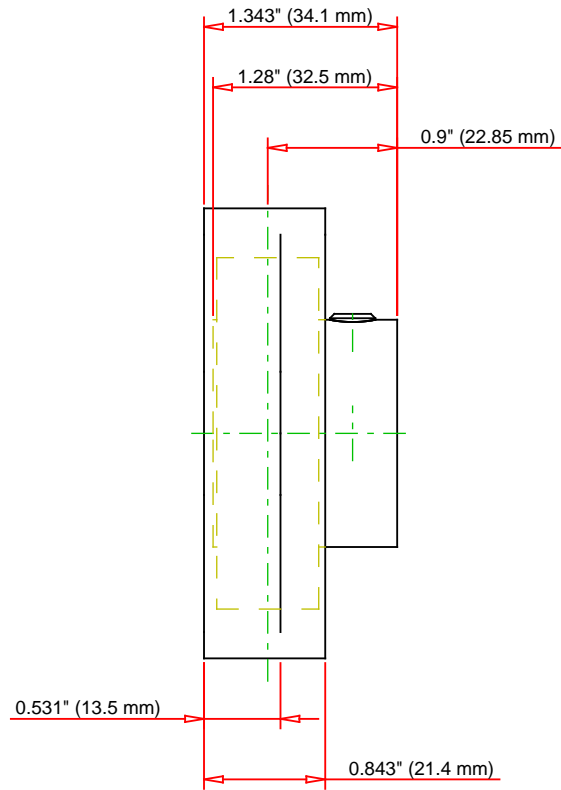


<b>Total Length H</b>	141.3 mm 5.563 in
-----------------------	----------------------

<b>Total Height L</b>	79.4 mm 3.126 in
<b>Housing Width A</b>	21.4 mm 0.843 in
<b>Bolt Hole Spacing J</b>	116.68 mm 4.594 in
<b>Bolt Hole Size N</b>	11.5 mm 0.453 in
<b>Flange Thickness A1</b>	13.5 mm 0.531 in
<b>Inside Ring Width B</b>	32.5 mm 1.28 in
<b>Dimension S1</b>	22.85 mm 0.9 in
<b>Dimension E</b>	34.1 mm 1.343 in
<b>Dimension F</b>	40.1 mm 1.579 in

## Basic Load Ratings

<b>Static Load Rating</b>	11300 N 2530 lbf
<b>Dynamic Load Rating</b>	21600 N 4850 lbf



Bearing Number	GYA103RRB			
Load Ratings - $C_r$	4850	lbf	21600	N
Load Ratings - $C_{0r}$	2530	lbf	11300	N
Weight	1.587	lb	0.72	kg
Bolt Size	M8x1.25			

**TIMKEN**

THE TIMKEN COMPANY  
NORTH CANTON, OHIO USA

**SCJT1 3/16**  
Fafnir® Two-Bolt Flanged Mounted Bearings  
Setscrew Locking

Every reasonable effort has been made to ensure the accuracy of the information contained in this writing, but no liability is accepted for errors, omissions or for any other reason.

**FOR DISCUSSION ONLY**