


The Timken Company

4500 Mt Pleasant St. NW

N. Canton, OH 44720

Phone: (234) 262-3000

E-Mail: CustomerCAD@timken.com • **Web site:** www.timken.com

Part Number RCJT2 3/16 NT, Fafnir® Two-Bolt Flanged Mounted Bearings Eccentric Locking Collar



[Specifications](#) | [Dimensions](#) | [Basic Load Ratings](#)

Specifications

| | |
|-----------------------------|-----------------|
| Series | Industrial |
| Shaft Size d | 2 3/16 in |
| Bearing Type | Ball Bearing |
| Bearing Number | G1203KRRB TDCF |
| Seal Type | Shroud Seal |
| Housing Construction | Two-Bolt Flange |
| Alternate Part Name | RCJT2 3/16 NT |

Dimensions



Total Length H 215.9 mm
8-1/2 in

Total Height L 127 mm
5 in

Housing Width A 46.8 mm
1.843 in

Bolt Hole Spacing J 184.1 mm
7.248 in

Bolt Hole Size N 17.1 mm
0.673 in

Flange Thickness A1 16.7 mm
0.657 in

Dimension B1 71.4 mm
2.811 in

Dimension S1 43.6 mm
1.717 in

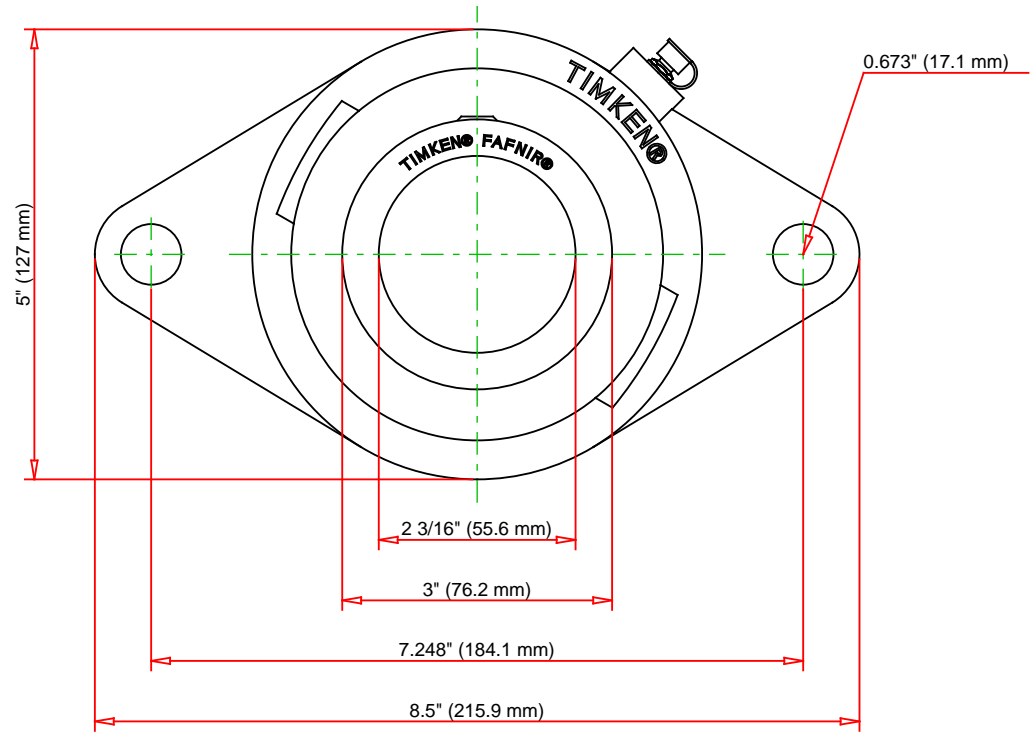
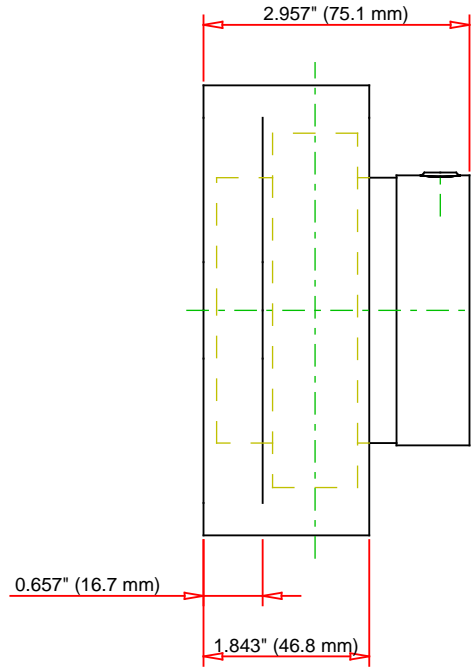
Dimension E 75.1 mm
2.957 in

Dimension d1 76.2 mm
3 in

Basic Load Ratings

Static Load Rating 29200 N
6570 lbf

Dynamic Load Rating 48100 N
10800 lbf



| | | | | |
|-------------------------|----------------|-----|-------|----|
| Bearing Number | G1203KRRB TDCF | | | |
| Load Ratings - C_r | 10800 | lbf | 48100 | N |
| Load Ratings - C_{0r} | 6570 | lbf | 29200 | N |
| Weight | 8.087 | lb | 3.668 | kg |

TIMKEN

THE TIMKEN COMPANY
NORTH CANTON, OHIO USA

RCJT2 3/16 NT
Fafnir® Two-Bolt Flanged Mounted Bearings
Eccentric Locking Collar

Every reasonable effort has been made to ensure the accuracy of the information contained in this writing, but no liability is accepted for errors, omissions or for any other reason.

FOR DISCUSSION ONLY