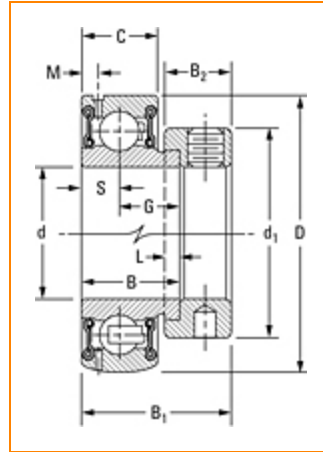


TIMKEN**The Timken Company**

4500 Mt Pleasant St. NW

N. Canton, OH 44720

Phone: (234) 262-3000**E-Mail:** CustomerCAD@timken.com • **Web site:** www.timken.com**Part Number GRA102RRB, Fafnir® Eccentric Locking Collar Ball Bearings**
[Specifications](#) | [Dimensions](#) | [Basic Load Ratings](#)
Specifications

Manufacturing Part Number	GRA102RRB + COL
Series	Standard
Shaft Size d	1 1/8 in
Bore Type	Cylindrical bore
Bearing Type	Ball Bearing
Material	Bearing Steel
Lubrication Type	Relubricatable
O.D. Type	Spherical OD
Sub Series	GRA..RRB
Seal Type	Molded Shroud

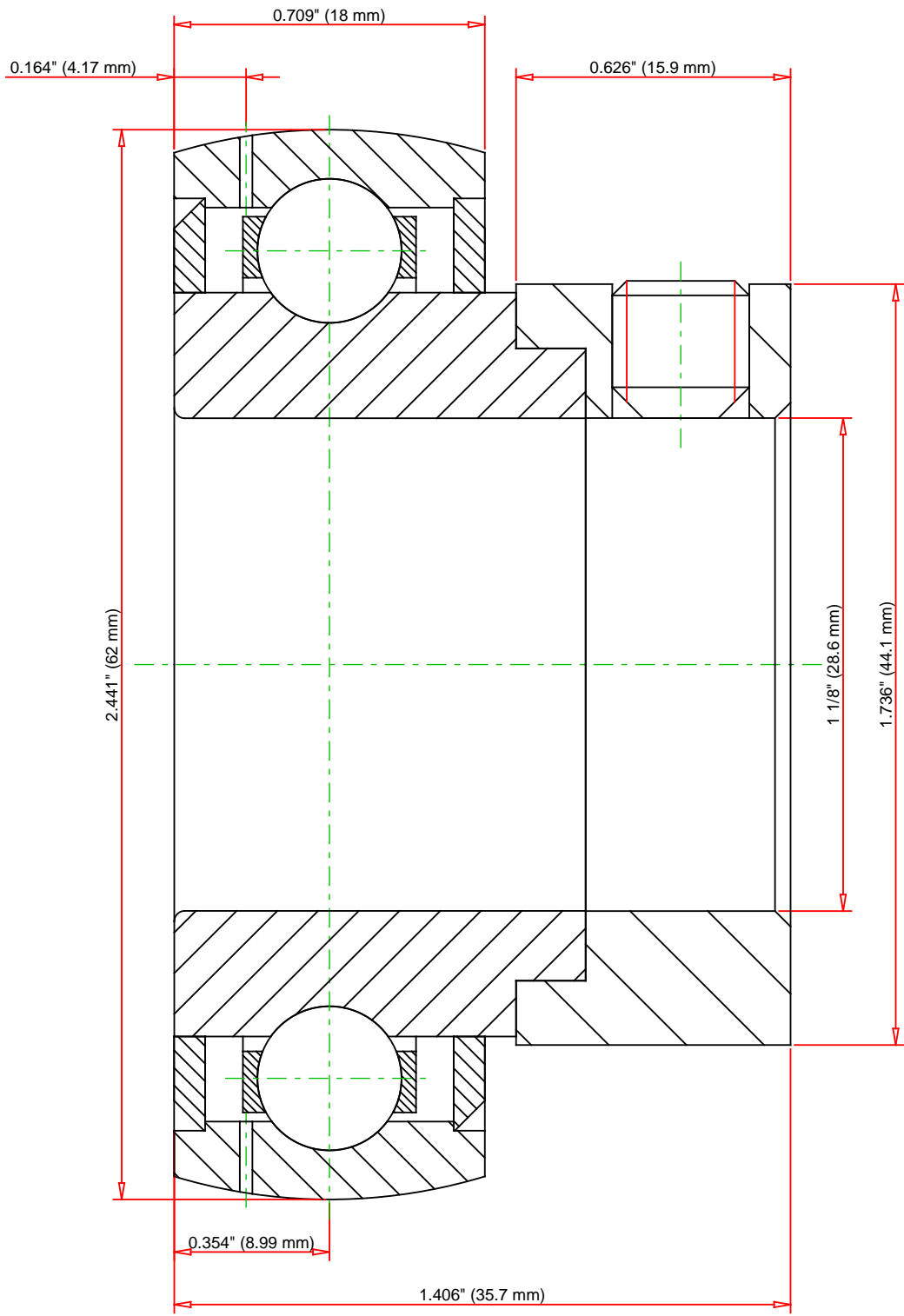


Dimensions

Outside Diameter D	2.441 in 62 mm
Inner Ring Width B	0.938 in 23.83 mm
Outside Ring Width C	0.709 in 18 mm
Radius r	0.024 in 0.6 mm
Center of Bearing from End S	0.354 in 8.99 mm
Set Screw Size	5/16-18
Number of Set Screws	2
Angle between Set Screws	90°
Dimension d1	1.736 in 44.1 mm
Dimension M	0.164 in 4.17 mm
Dimension B1	1.406 in 35.7 mm
Dimension B2	0.626 in 15.9 mm

Basic Load Ratings

Static Load Rating	2530 lbf 11300 N
Dynamic Load Rating	4850 lbf 21600 N



Weight	0.5 lb	0.2 kg
--------	--------	--------

TIMKEN®

THE TIMKEN COMPANY
NORTH CANTON, OHIO USA

GRA102RRB
Fafnir® Eccentric Locking Collar Ball Bearings

Static Load Rating	2530 lbf	11300 N
Dynamic Load Rating	4850 lbf	21600 N

Every reasonable effort has been made to ensure the accuracy of the information contained in this writing, but no liability is accepted for errors, omissions or for any other reason.

FOR DISCUSSION ONLY