



The Timken Company

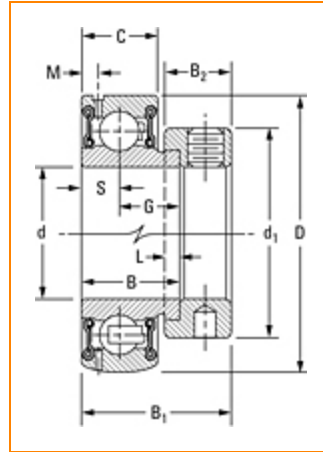
4500 Mt Pleasant St. NW

N. Canton, OH 44720

Phone: (234) 262-3000

E-Mail: CustomerCAD@timken.com • **Web site:** www.timken.com

Part Number GRA108RRB, Fafnir® Eccentric Locking Collar Ball Bearings



[Specifications](#) | [Dimensions](#) | [Basic Load Ratings](#)

Specifications

Manufacturing Part Number	GRA108RRB + COL
Series	Standard
Shaft Size d	1 1/2 in
Bore Type	Cylindrical bore
Bearing Type	Ball Bearing
Material	Bearing Steel
Lubrication Type	Relubricatable
O.D. Type	Spherical OD
Sub Series	GRA..RRB
Seal Type	Molded Shroud

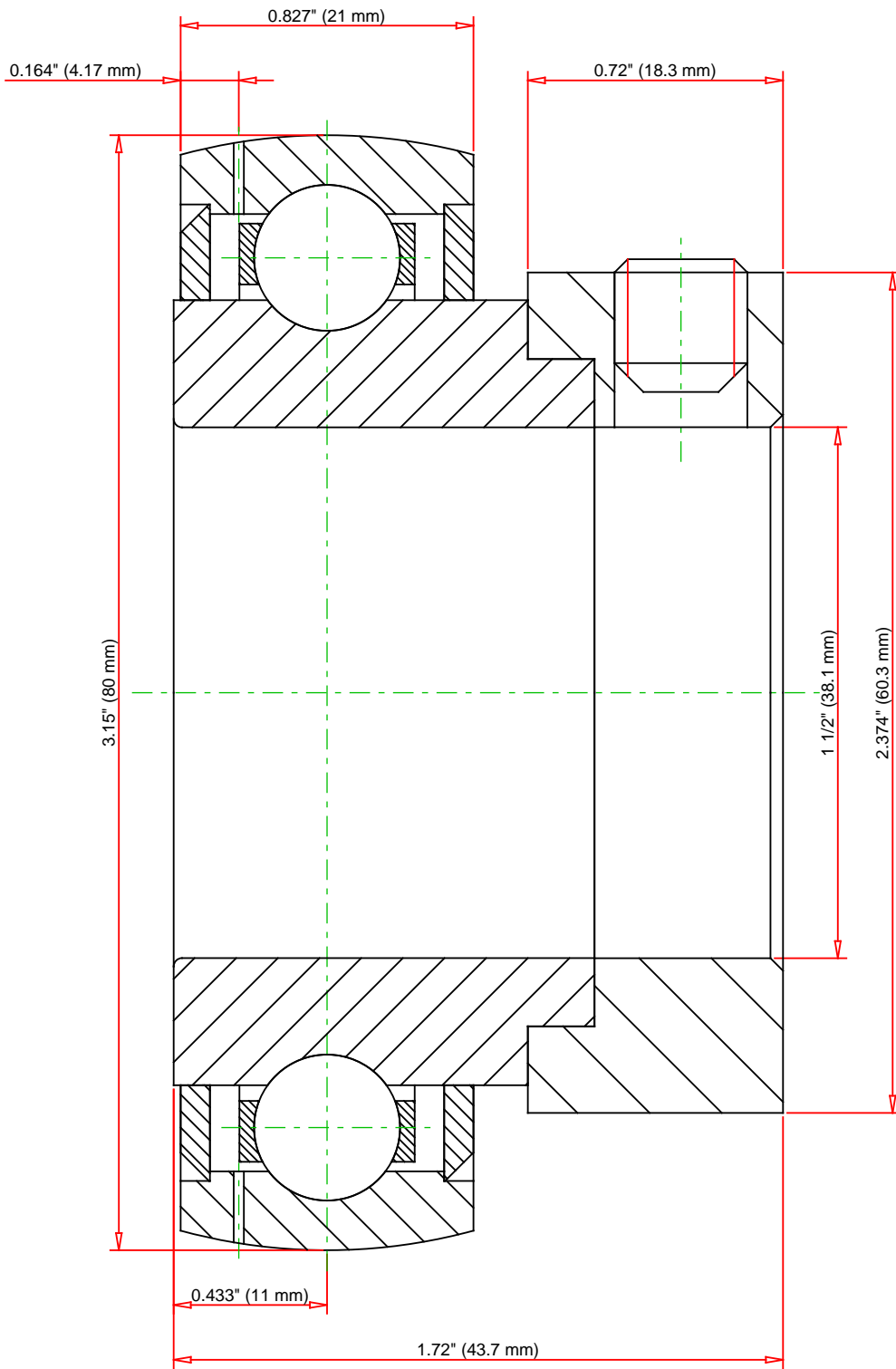


Dimensions

Outside Diameter D	3.15 in 80 mm
Inner Ring Width B	1.188 in 30.18 mm
Outside Ring Width C	0.827 in 21 mm
Radius r	0.024 in 0.6 mm
Center of Bearing from End S	0.433 in 11 mm
Set Screw Size	3/8-16
Number of Set Screws	2
Angle between Set Screws	90°
Dimension d1	2.374 in 60.3 mm
Dimension M	0.164 in 4.17 mm
Dimension B1	1.72 in 43.7 mm
Dimension B2	0.72 in 18.3 mm

Basic Load Ratings

Static Load Rating	4460 lbf 19800 N
Dynamic Load Rating	8130 lbf 36200 N



Weight	0.5 lb	0.2 kg
--------	--------	--------

TIMKEN®

THE TIMKEN COMPANY
NORTH CANTON, OHIO USA

GRA108RRB

Fafnir® Eccentric Locking Collar Ball Bearings

Static Load Rating	4460 lbf	19800 N
Dynamic Load Rating	8130 lbf	36200 N

Every reasonable effort has been made to ensure the accuracy of the information contained in this writing, but no liability is accepted for errors, omissions or for any other reason.

FOR DISCUSSION ONLY