



The Timken Company

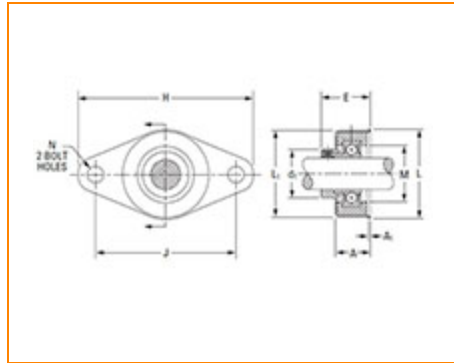
4500 Mt Pleasant St. NW

N. Canton, OH 44720

Phone: (234) 262-3000

E-Mail: CustomerCAD@timken.com • **Web site:** www.timken.com

Part Number LFST 5/8, Fafnir® Two-Bolt Flanged Mounted Bearings Eccentric Locking Collar



[Specifications](#) | [Dimensions](#) | [Basic Load Ratings](#)

Specifications

Series	Light-Duty
Shaft Size d	0.6250 in
Bearing Type	Ball Bearing
Bearing Number	RAL010NPP
Collar No.	LS010K
Housing Construction	Two-Bolt Flange

Dimensions

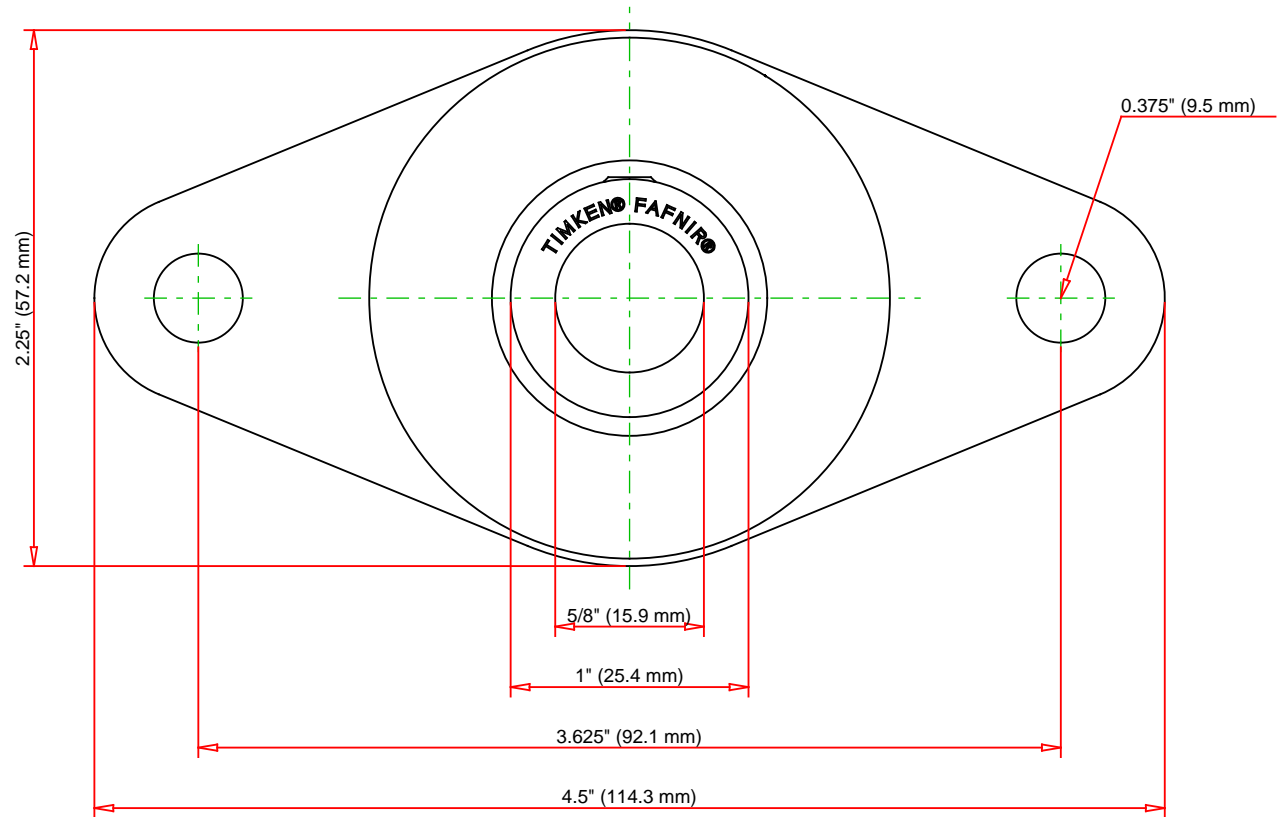
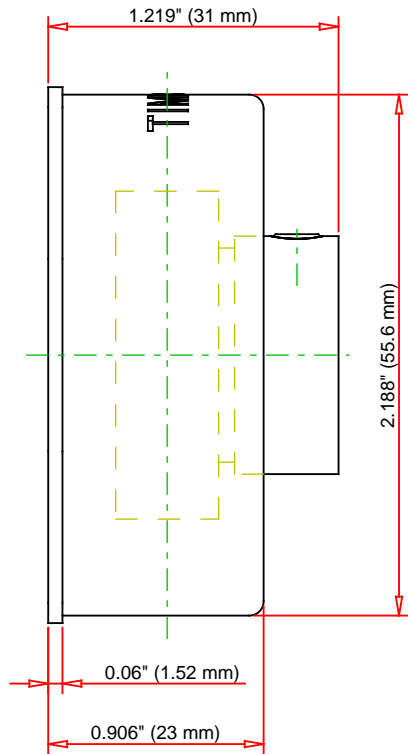
Total Length H	114.3 mm 4.5 in
-----------------------	--------------------



Total Height L	57.2 mm 2.25 in
Housing Width A	23 mm 0.906 in
Bolt Hole Spacing J	92.1 mm 3.625 in
Bolt Hole Size N	9.5 mm 0.375 in
Flange Thickness A1	1.52 mm 0.06 in
Dimension B1	23.8 mm 0.938 in
Dimension E	31 mm 1.219 in
Dimension d1	25.4 mm 1 in
Dimension M	29.4 mm 1.156 in
Dimension L1	55.6 mm 2.188 in

Basic Load Ratings

Static Load Rating	3000 N 680 lbf
Dynamic Load Rating	7500 N 1700 lbf
Housing Radial Load Rating	880 N 200 lbf



Bearing Number	RAL010NPP			
Load Ratings - C _r	1700	lbf	7500	N
Load Ratings - C _{0r}	680	lbf	3000	N

TIMKEN

THE TIMKEN COMPANY
NORTH CANTON, OHIO USA

LFST 5/8
Fafnir® Two-Bolt Flanged Mounted Bearings
Eccentric Locking Collar

Every reasonable effort has been made to ensure the accuracy of the information contained in this writing, but no liability is accepted for errors, omissions or for any other reason.

FOR DISCUSSION ONLY