



The Timken Company

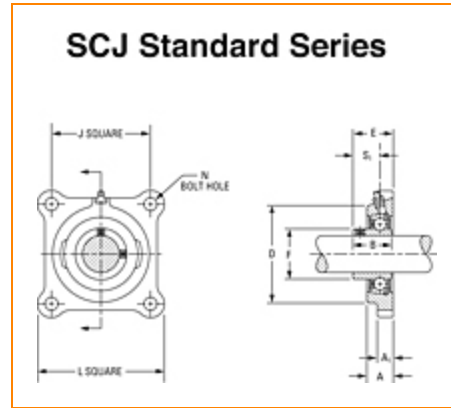
4500 Mt Pleasant St. NW

N. Canton, OH 44720

Phone: (234) 262-3000

E-Mail: CustomerCAD@timken.com • **Web site:** www.timken.com

Part Number SCJ 5/8, Fafnir® Four-Bolt Flanged Mounted Bearings Setscrew Locking



[Specifications](#) | [Dimensions](#) | [Basic Load Ratings](#)

Specifications

| | |
|-----------------------------|-------------------------|
| Series | Standard |
| Shaft Size d | 0.6250 in |
| Bearing Number | GYA010RRB |
| Seal Type | Molded Shroud |
| Housing Construction | Four-Bolt Square Flange |
| Alternate Part Name | SCJ 5/8 |

Dimensions

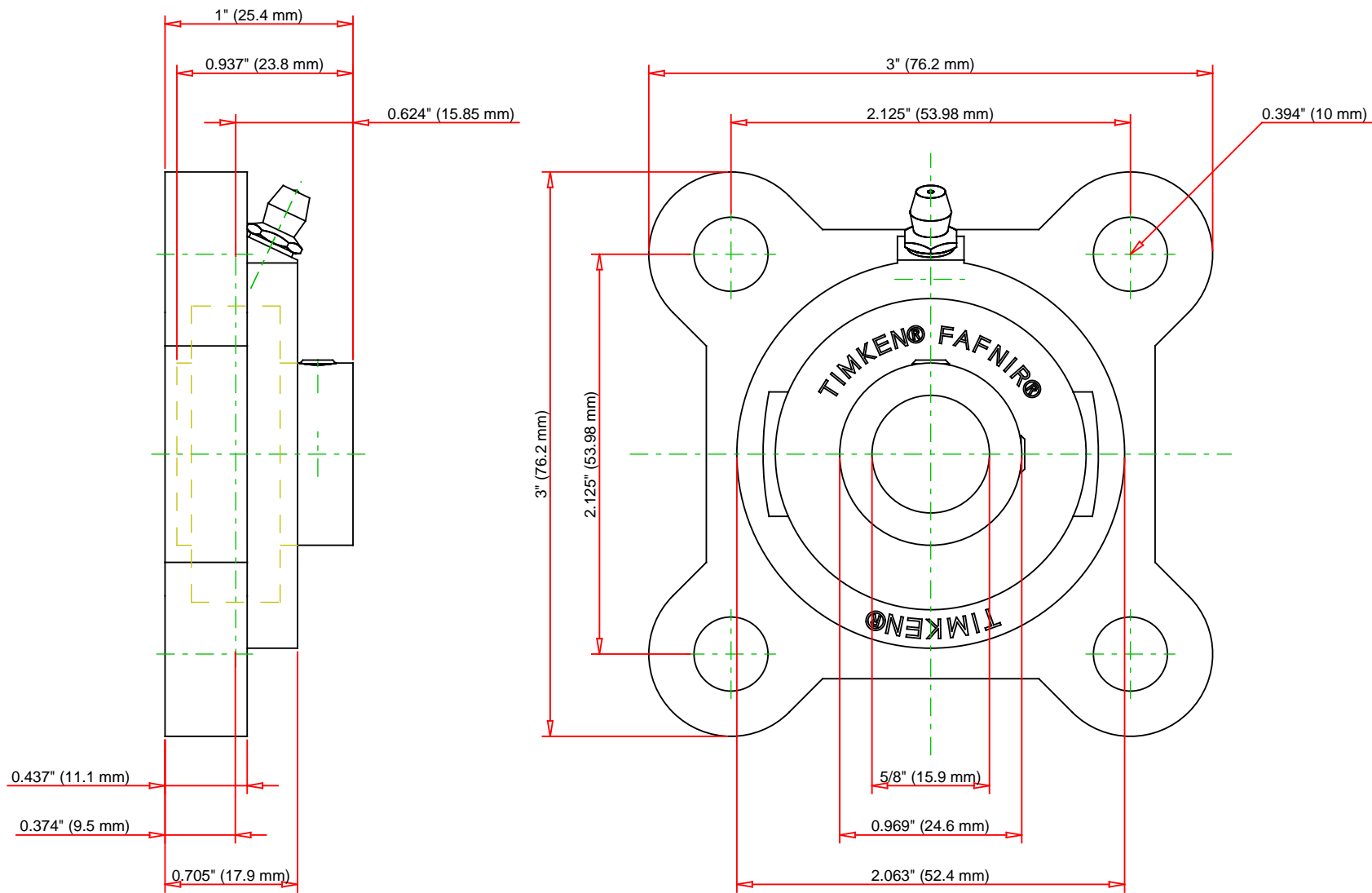
| | |
|------------------------|---------------------|
| Total Length L | 76.2 mm 3 in |
| Housing Width A | 17.9 mm 0.705 in |



| | |
|--|----------------------|
| Bolt Hole Spacing | 53.98 mm 2.125 in |
| Bolt Hole Size N | 10 mm 0.394 in |
| Flange Thickness A1 | 11.1 mm 0.437 in |
| Center of Bearing from Housing End A2 | 9.5 mm 0.374 in |
| Inside Ring Width B | 23.8 mm 0.9370 in |
| Dimension S1 | 15.85 mm 0.624 in |
| Dimension D | 52.4 mm 2.063 in |
| Dimension E | 25.4 mm 1 in |
| Dimension F | 24.6 mm 0.969 in |
| Bolt Size | M10 |

Basic Load Ratings

| | |
|----------------------------|---------------------|
| Static Load Rating | 4700 N 1070 lbf |
| Dynamic Load Rating | 10700 N 2380 lbf |



| | | | | |
|--------------------------------|-----------|-----|-------|----|
| Bearing Number | GYA010RRB | | | |
| Load Ratings - C _r | 2380 | lbf | 10700 | N |
| Load Ratings - C _{0r} | 1070 | lbf | 4700 | N |
| Weight | 1.04 | lb | 0.47 | kg |
| Bolt Size | M5x0.8 | | | |

TIMKEN®

THE TIMKEN COMPANY
NORTH CANTON, OHIO USA

SCJ 5/8
Fafnir® Four-Bolt Flanged Mounted Bearings
Setscrew Locking

Every reasonable effort has been made to ensure the accuracy of the information contained in this writing, but no liability is accepted for errors, omissions or for any other reason.

FOR DISCUSSION ONLY