

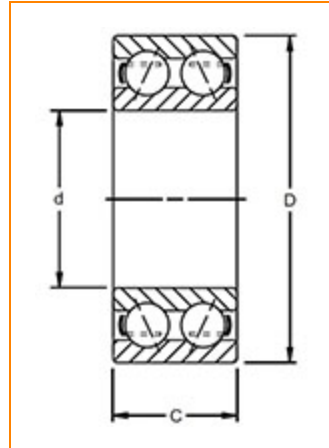
**TIMKEN****The Timken Company**

4500 Mt Pleasant St. NW

N. Canton, OH 44720

**Phone:** (234) 262-3000**E-Mail:** [CustomerCAD@timken.com](mailto:CustomerCAD@timken.com) • **Web site:** [www.timken.com](http://www.timken.com)

Part Number 5219, Fafnir® Double Row Angular Contact Ball Bearings (5200, 5300, 5400)


[Specifications](#) | [Dimensions](#) | [Basic Load Ratings](#) | [Abutment and Fillet Dimensions](#)

## Specifications

<b>Design Units</b>	Metric
<b>d - Bore</b>	95 mm
<b>Ball Type</b>	STEEL
<b>Cage Type</b>	2 Pice Alternate Finger

## Dimensions

<b>D - Outer Diameter</b>	170 mm 6.6929 in
<b>C - Ring Width</b>	55.58 mm 2.188 in
<b>Contact Angle</b>	30°



## Basic Load Ratings

<b>C0 - Static Radial Rating</b>	235000 N 53000 lbf
<b>Ce - Dynamic Radial Rating<sup>1</sup></b>	244000 N 55000 lbf

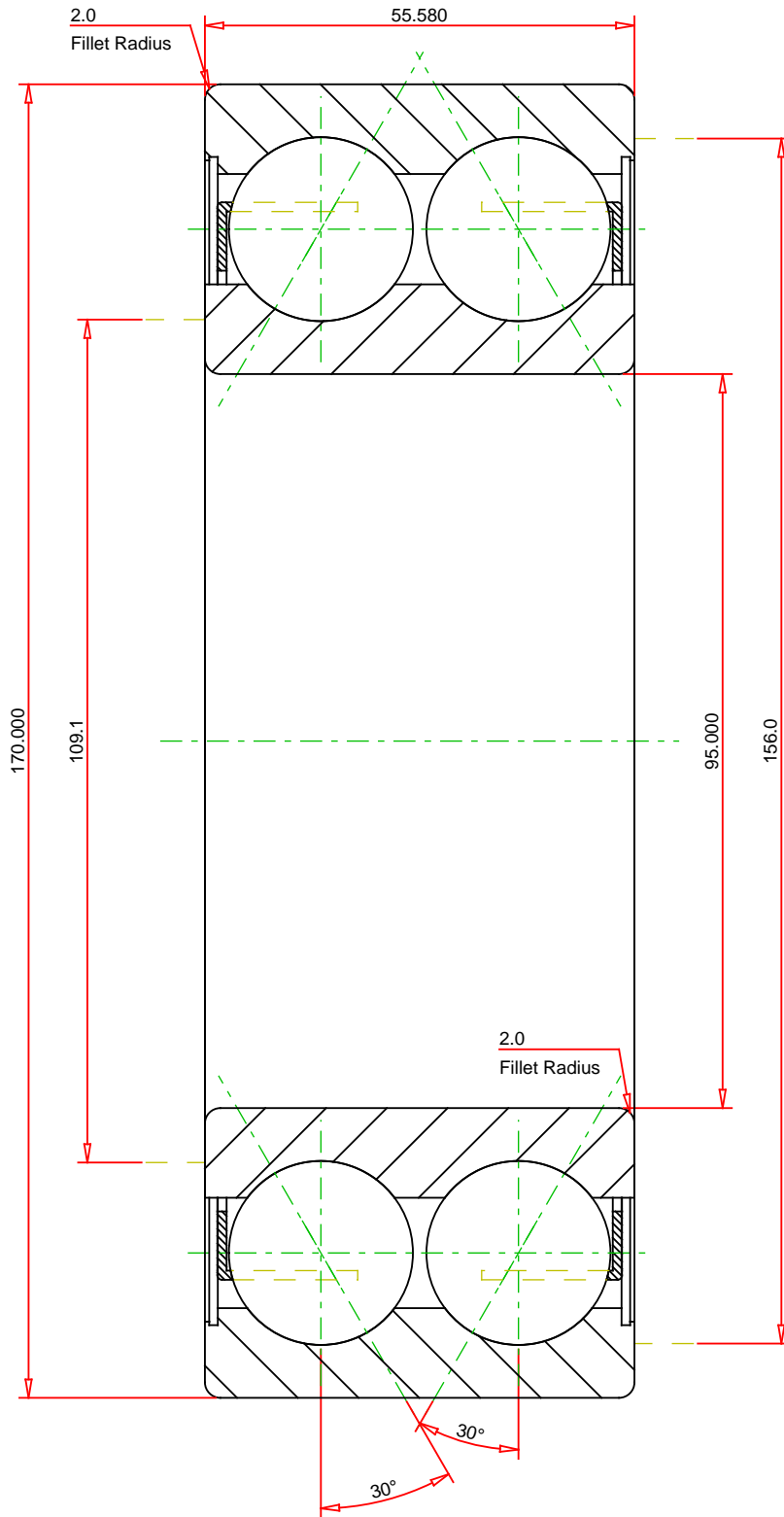
## Abutment and Fillet Dimensions

<b>R - Inner Ring "To Clear" Radius<sup>2</sup></b>	2 mm 0.079 in
<b>r - Outer Ring "To Clear" Radius<sup>3</sup></b>	2 mm 0.079 in
<b>da - Inner Ring Backing Diameter</b>	109.093 mm 4.295 in
<b>Da - Outer Ring Backing Diameter</b>	155.956 mm 6.140 in

<sup>1</sup> Based on  $10^6$  revolutions of calculated fatigue life.

<sup>2</sup> Maximum housing fillet radius that bearing corners will clear.

<sup>3</sup> Maximum shaft fillet radius that bearing corners will clear.



**METRIC UNITS**

Number of Balls Per Row 16  
 Bearing Weight 5.411 kg

**TIMKEN®**

**THE TIMKEN COMPANY**  
 NORTH CANTON, OHIO USA

**5219**  
 Fafnir® Double Row Angular Contact Ball Bearings  
 (5200, 5300, 5400)

Dynamic Load Rating 244000 N  
 Static Load Rating 235000 N

Every reasonable effort has been made to ensure the accuracy of the information contained in this writing, but no liability is accepted for errors, omissions or for any other reason.

**FOR DISCUSSION ONLY**