



**The Timken Company**

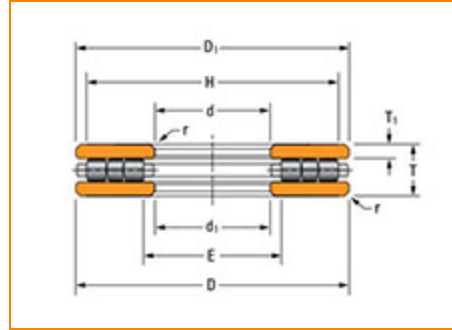
4500 Mt Pleasant St. NW

N. Canton, OH 44720

**Phone:** (234) 262-3000

**E-Mail:** [CustomerCAD@timken.com](mailto:CustomerCAD@timken.com) • **Web site:** [www.timken.com](http://www.timken.com)

## Part Number 140TP159, Thrust Cylindrical Roller Bearing-Type TP



[Specifications](#) | [Dimensions](#) | [Basic Load Ratings](#)

### Specifications

<b>d - Bore Diameter</b>	355.6 mm
<b>Bearing Type</b>	Thrust Cylindrical Roller Bearings - TP

### Dimensions

<b>D - Bearing O.D.</b>	558.800 mm 22.0000 in
<b>T - Bearing Width</b>	95.25 mm 3-3/4 in
<b>T1 - Bearing Width</b>	26.19 mm 1.031 in



**d1 - Large Bore I.D.** 358.78 mm  
14.125 in

**D1 - Small Diameter O.D.** 555.62 mm  
21.875 in

**E - Shoulder Diameter - Housing** 379.4 mm  
14.94 in

**H - Shoulder Diameter - Shaft** 535 mm  
21.06 in

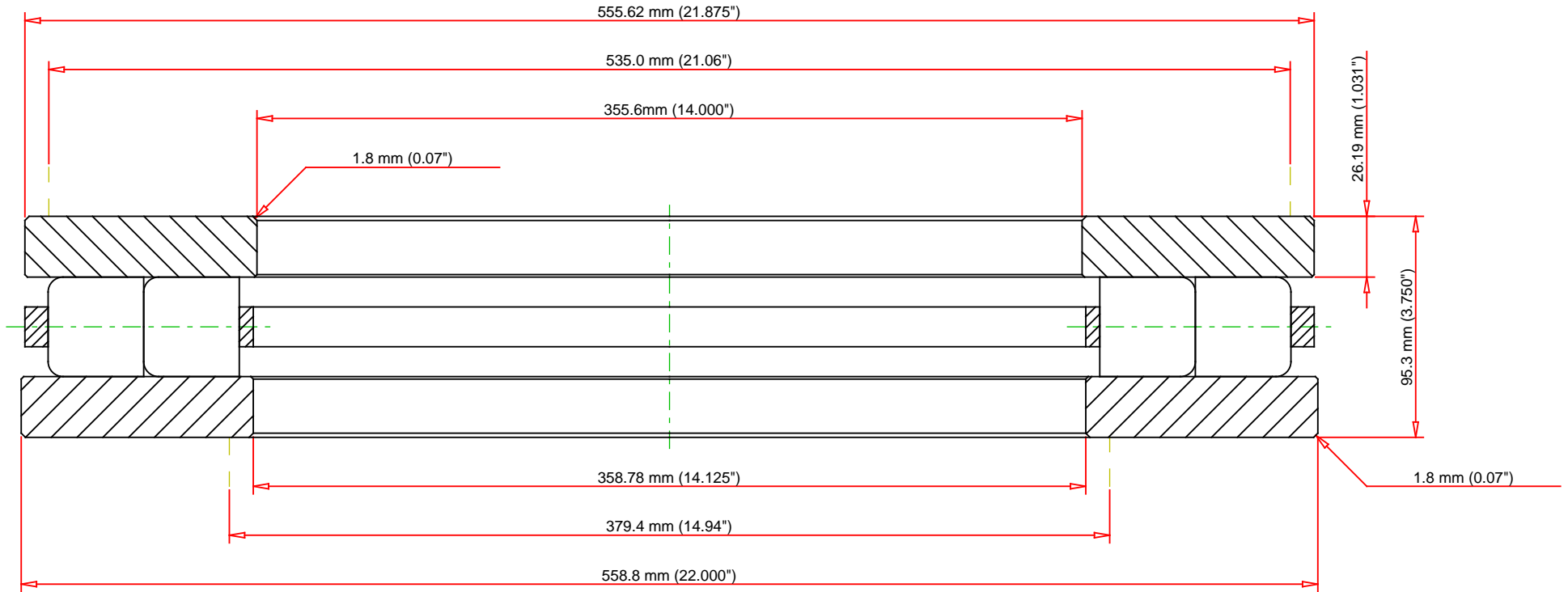
**r - Fillet Chamfer** 1.8 mm  
0.07 in

## Basic Load Ratings

**Static Load Rating** 3051000 N  
686000 lbf

**Dynamic Load Rating** 3000000 N  
677200 lbf

**Limiting Speed** 1030 rpm



METRIC UNITS

Static Load Rating - $C_{0a}$	686000	lbf	3051000	N
Dynamic Load Rating - $C_a$	677200	lbf	3000000	N
Weight	38.3	lb	17.4	kg
Limiting Speed	1030	RPM		

**TIMKEN**

THE TIMKEN COMPANY  
NORTH CANTON, OHIO USA

**140TP159**

Thrust Cylindrical Roller Bearing-Type  
TP

Every reasonable effort has been made to ensure the accuracy of the information contained in this writing, but no liability is accepted for errors, omissions or for any other reason.

**FOR DISCUSSION ONLY**