



The Timken Company

4500 Mt Pleasant St. NW

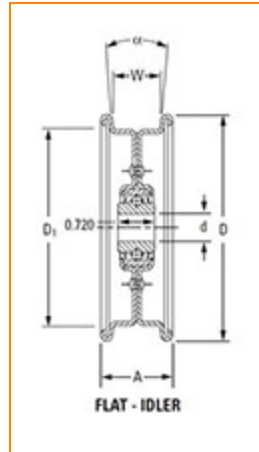
N. Canton, OH 44720

Phone: (234) 262-3000

E-Mail: CustomerCAD@timken.com • **Web site:** www.timken.com

Part Number 010-10483, Idler Pulley Units

Timken's integrated, pressed-steel idler pulleys combine a precision ball bearing with rubber seals to create a self-contained unit.



[Specifications](#) | [Dimensions](#)

Specifications

Type	FLAT - IDLER
α Included Angle	10 °
Bearing Number	203KRR2
Bore	0.635/0.64 in 16.13/16.26 mm

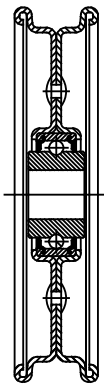
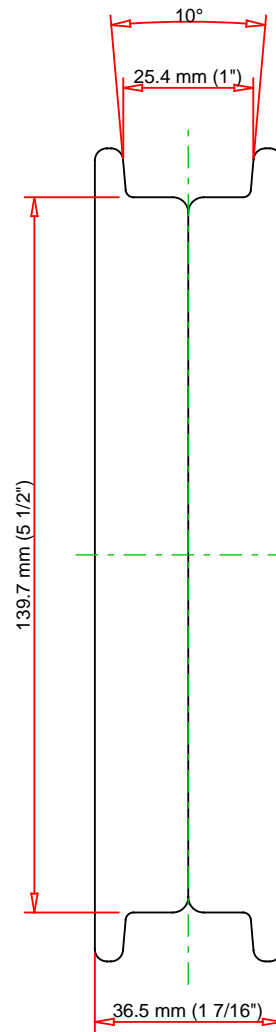
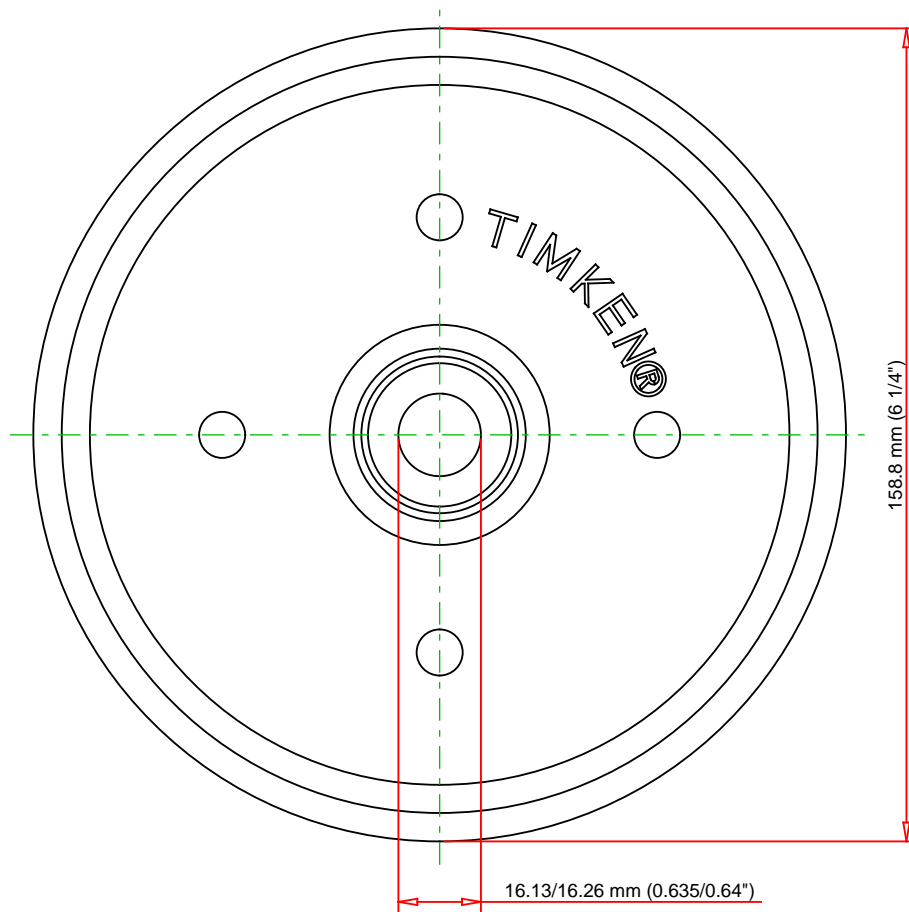
Dimensions

Outside Diameter D	6.25 in 158.8 mm
Width A	1 7/16 in 36.5 mm



Dimension D1	5 1/2 in 139.7 mm
---------------------	----------------------

Dimension W	1 in 25.4 mm
--------------------	-----------------



Note: Section View not to Scale

Weight	1.74	lb	0.789	kg

TIMKEN

THE TIMKEN COMPANY
NORTH CANTON, OHIO USA

010-10483
Idler Pulley Units

Every reasonable effort has been made to ensure the accuracy of the information contained in this writing, but no liability is accepted for errors, omissions or for any other reason.

FOR DISCUSSION ONLY