



The Timken Company

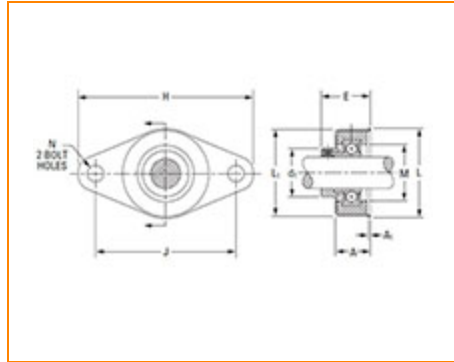
4500 Mt Pleasant St. NW

N. Canton, OH 44720

Phone: (234) 262-3000

E-Mail: CustomerCAD@timken.com • **Web site:** www.timken.com

Part Number LFST1, Fafnir® Two-Bolt Flanged Mounted Bearings Eccentric Locking Collar



[Specifications](#) | [Dimensions](#) | [Basic Load Ratings](#)

Specifications

Series	Light-Duty
Shaft Size d	1 in
Bearing Type	Ball Bearing
Bearing Number	RAL100NPP
Collar No.	LS100K
Housing Construction	Two-Bolt Flange

Dimensions

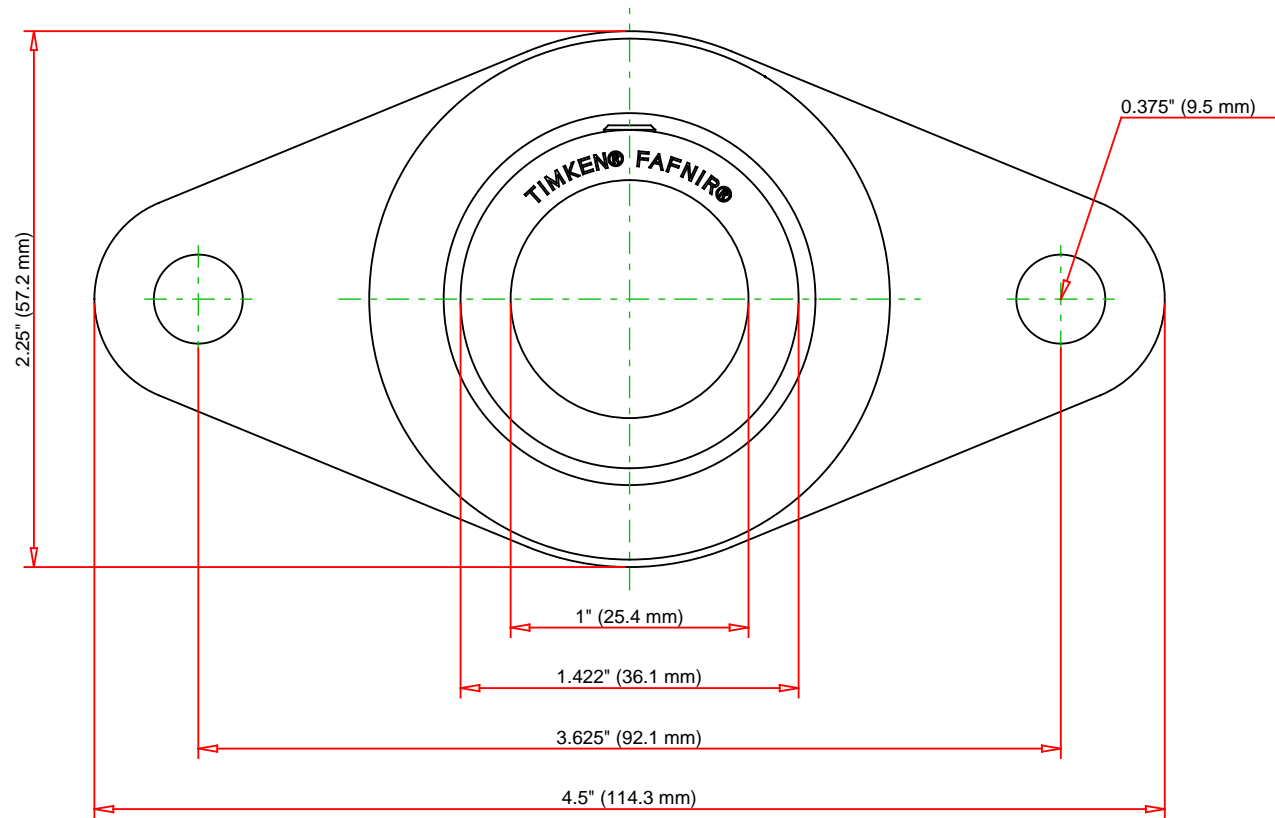
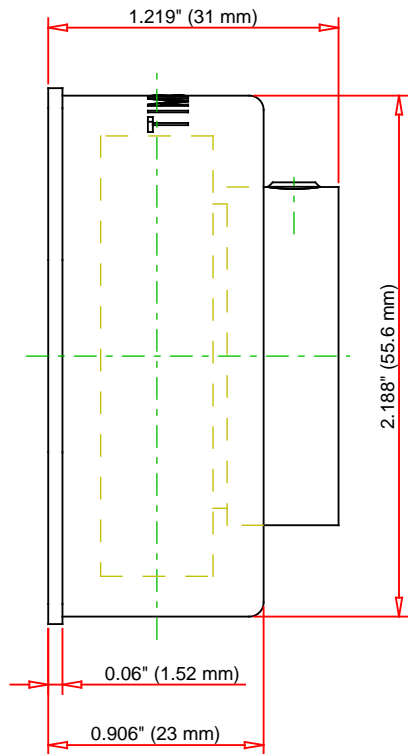
Total Length H	114.3 mm 4.5 in
Total Height L	57.2 mm 2.25 in



Housing Width A	23 mm 0.906 in
Bolt Hole Spacing J	92.1 mm 3.625 in
Bolt Hole Size N	9.5 mm 0.375 in
Flange Thickness A1	1.52 mm 0.06 in
Dimension B1	25.4 mm 1 in
Dimension E	31 mm 1.219 in
Dimension d1	36.1 mm 1.422 in
Dimension M	39.7 mm 1.563 in
Dimension L1	55.6 mm 2.188 in

Basic Load Ratings

Static Load Rating	4900 N 1120 lbf
Dynamic Load Rating	11000 N 2500 lbf
Housing Radial Load Rating	1340 N 300 lbf



Bearing Number	RAL100NPP			
Load Ratings - C _r	2500	lbf	11000	N
Load Ratings - C _{0r}	1120	lbf	4900	N

TIMKEN

THE TIMKEN COMPANY
NORTH CANTON, OHIO USA

LFST1
Fafnir® Two-Bolt Flanged Mounted Bearings
Eccentric Locking Collar

Every reasonable effort has been made to ensure the accuracy of the information contained in this writing, but no liability is accepted for errors, omissions or for any other reason.

FOR DISCUSSION ONLY