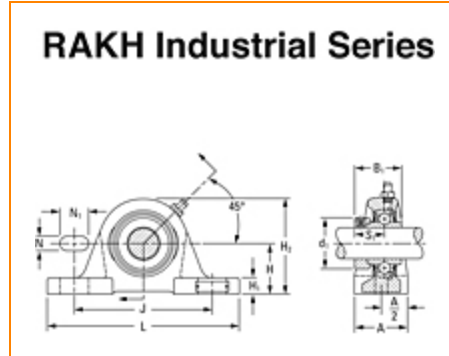


**TIMKEN****The Timken Company**

4500 Mt Pleasant St. NW

N. Canton, OH 44720

**Phone:** (234) 262-3000**E-Mail:** [CustomerCAD@timken.com](mailto:CustomerCAD@timken.com) • **Web site:** [www.timken.com](http://www.timken.com)**Part Number RAKH1 3/4, Fafnir® Pillow Block Mounted Bearings Eccentric Locking Collar**
[Specifications](#) | [Dimensions](#) | [Basic Load Ratings](#)
**Specifications**

<b>Series</b>	Industrial
<b>Shaft Size d</b>	1 3/4 in
<b>Bearing Type</b>	Ball Bearing
<b>Bearing Number</b>	G1112KRRB
<b>Seal Type</b>	Shroud Seal
<b>Housing Construction</b>	Two-Bolt Pillow Block
<b>Alternate Part Name</b>	RAKH1 3/4

**Dimensions**

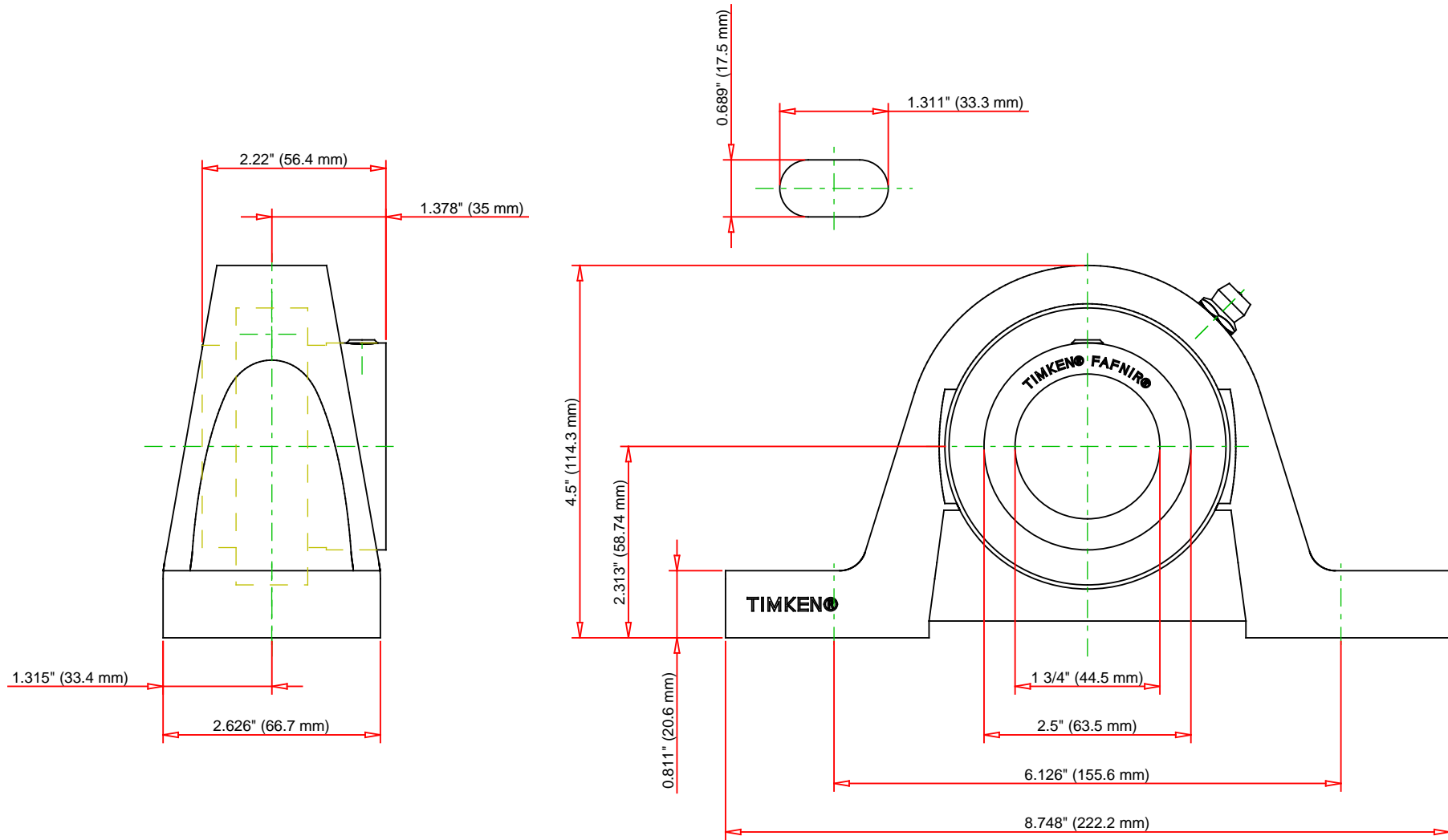
<b>Base to Center Height H</b>	58.74 mm 2.313 in
<b>Total Length L</b>	222.2 mm 8.748 in



<b>Total Width A</b>	66.7 mm 2.626 in
<b>Bolt Hole Spacing J</b>	155.6 mm 6.126 in
<b>Bolt Hole Width N</b>	17.5 mm 0.689 in
<b>Bolt Hole Length N1</b>	33.3 mm 1.311 in
<b>Foot Height H1</b>	20.6 mm
<b>Total Height H2</b>	114.3 mm 4.5 in
<b>Dimension d1</b>	63.5 mm 2.5 in
<b>Dimension B1</b>	56.4 mm 2.22 in
<b>Dimension S1</b>	35 mm 1.378 in
<b>Dimension T</b>	33.4 mm 1.315 in

## Basic Load Ratings

<b>Static Load Rating</b>	20500 N 4600 lbf
<b>Dynamic Load Rating</b>	36300 N 8160 lbf



Bearing Number	G1112KRRB			
Load Ratings - C <sub>r</sub>	8160	lbf	36300	N
Load Ratings - C <sub>0r</sub>	4600	lbf	20500	N
Weight	8.889	lb	4.032	kg

**TIMKEN**  
 THE TIMKEN COMPANY  
 NORTH CANTON, OHIO USA

**RAKH1 3/4**  
 Fafnir® Pillow Block Mounted Bearings Eccentric  
 Locking Collar

Every reasonable effort has been made to ensure the accuracy of the information contained in this writing, but no liability is accepted for errors, omissions or for any other reason.

**FOR DISCUSSION ONLY**