



**The Timken Company**

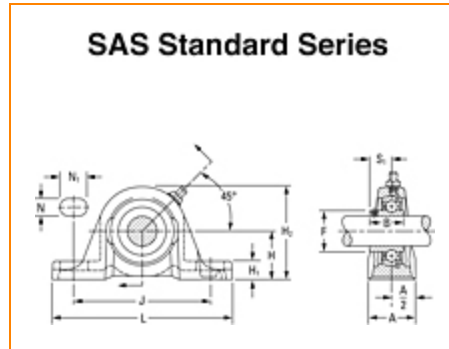
4500 Mt Pleasant St. NW

N. Canton, OH 44720

**Phone:** (234) 262-3000

**E-Mail:** [CustomerCAD@timken.com](mailto:CustomerCAD@timken.com) • **Web site:** [www.timken.com](http://www.timken.com)

## Part Number SAS2 3/16, Fafnir® Pillow Block Mounted Bearings Setscrew Locking



[Specifications](#) | [Dimensions](#) | [Basic Load Ratings](#)

### Specifications

<b>Series</b>	Standard
<b>Shaft Size d</b>	2 3/16 in
<b>Bearing Type</b>	Ball Bearing
<b>Bearing Number</b>	GYA203RRB
<b>Seal Type</b>	Narrow Shroud
<b>Housing Construction</b>	Two-Bolt Pillow Block
<b>Alternate Part Name</b>	SAS2 3/16

### Dimensions

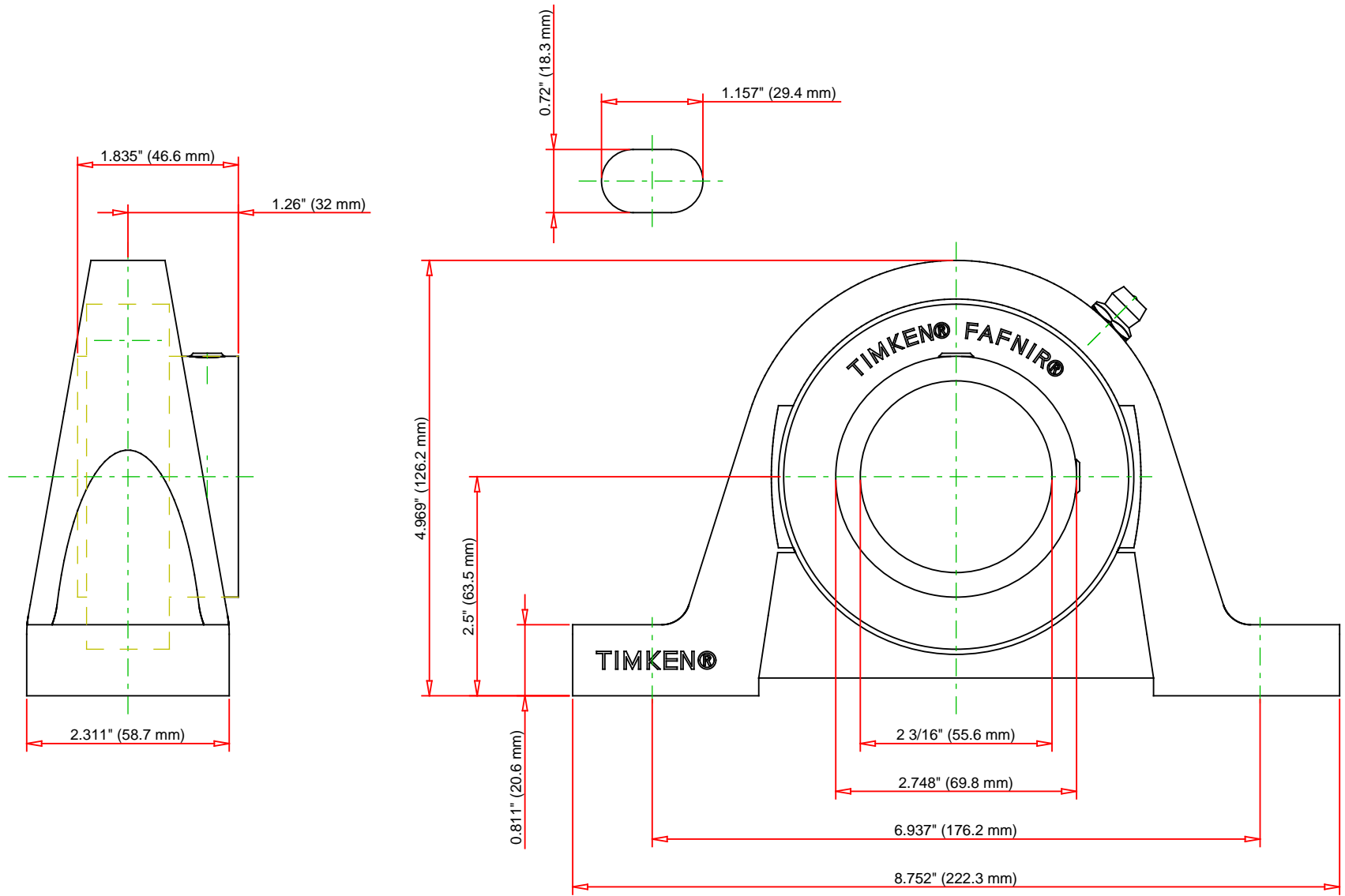
<b>Base to Center Height H</b>	63.5 mm 2-1/2 in
<b>Total Length L</b>	222.3 mm 8.752 in



<b>Total Width A</b>	58.7 mm 2.311 in
<b>Bolt Hole Spacing J</b>	176.2 mm 6.937 in
<b>Bolt Hole Width N</b>	18.3 mm 0.72 in
<b>Bolt Hole Length N1</b>	29.4 mm 1.157 in
<b>Foot Height H1</b>	20.6 mm
<b>Total Height H2</b>	126.2 mm 4.969 in
<b>Inside Ring Width B</b>	46.6 mm 1.835 in
<b>Dimension S1</b>	32 mm 1.26 in
<b>Dimension F</b>	69.8 mm 2.748 in

## Basic Load Ratings

<b>Static Load Rating</b>	29200 N 6570 lbf
<b>Dynamic Load Rating</b>	48100 N 10800 lbf



Bearing Number	GYA203RRB			
Load Ratings - $C_r$	10800	lbf	48100	N
Load Ratings - $C_{Or}$	6570	lbf	29200	N
Weight	6.658	lb	3.02	kg
Bolt Size	M10x1.5			

**TIMKEN®**

THE TIMKEN COMPANY  
NORTH CANTON, OHIO USA

**SAS2 3/16**

Fafnir® Pillow Block Mounted Bearings Setscrew Locking

Every reasonable effort has been made to ensure the accuracy of the information contained in this writing, but no liability is accepted for errors, omissions or for any other reason.

**FOR DISCUSSION ONLY**