



The Timken Company

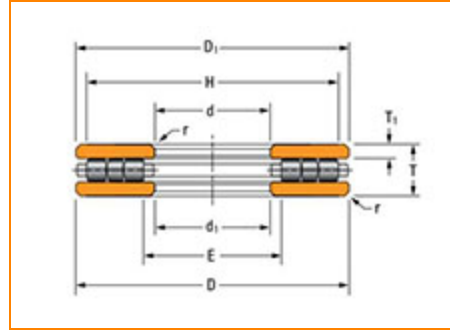
4500 Mt Pleasant St. NW

N. Canton, OH 44720

Phone: (234) 262-3000

E-Mail: CustomerCAD@timken.com • **Web site:** www.timken.com

Part Number 140TP160, Thrust Cylindrical Roller Bearing-Type TP



[Specifications](#) | [Dimensions](#) | [Basic Load Ratings](#)

Specifications

d - Bore Diameter	355.6 mm
Bearing Type	Thrust Cylindrical Roller Bearings - TP

Dimensions

D - Bearing O.D.	609.600 mm 24.0000 in
T - Bearing Width	95.25 mm 3-3/4 in
T1 - Bearing Width	26.19 mm 1.031 in



d1 - Large Bore I.D. 358.78 mm
14.125 in

D1 - Small Diameter O.D. 606.4 mm
23.875 in

E - Shoulder Diameter - Housing 384.2 mm
15.12 in

H - Shoulder Diameter - Shaft 581 mm
22.88 in

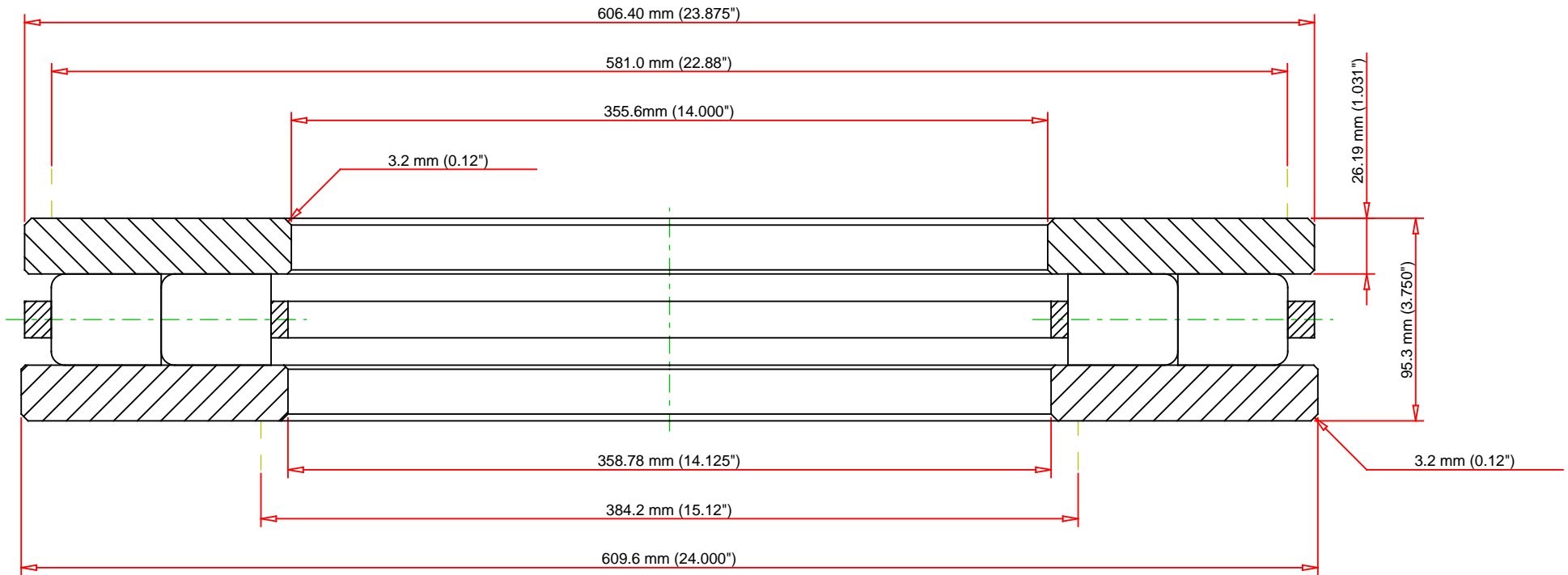
r - Fillet Chamfer 3.2 mm
0.12 in

Basic Load Ratings

Static Load Rating 2800000 N
625400 lbf

Dynamic Load Rating 3600000 N
816500 lbf

Limiting Speed 1140 rpm



METRIC UNITS

Static Load Rating - C_{0a}	625400	lbf	2800000	N
Dynamic Load Rating - C_a	816500	lbf	3600000	N
Weight	20.2	lb	9.2	kg
Limiting Speed	1140	RPM		

TIMKEN

THE TIMKEN COMPANY
NORTH CANTON, OHIO USA

140TP160

Thrust Cylindrical Roller Bearing-Type
TP

Every reasonable effort has been made to ensure the accuracy of the information contained in this writing, but no liability is accepted for errors, omissions or for any other reason.

FOR DISCUSSION ONLY