



**The Timken Company**

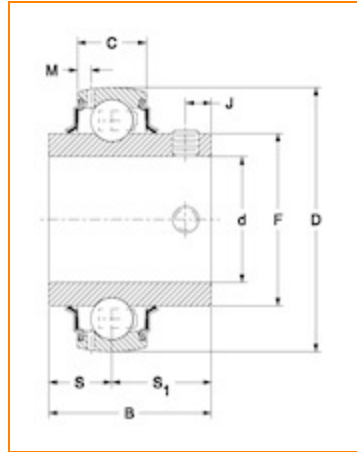
4500 Mt Pleasant St. NW

N. Canton, OH 44720

**Phone:** (234) 262-3000

**E-Mail:** [CustomerCAD@timken.com](mailto:CustomerCAD@timken.com) • **Web site:** [www.timken.com](http://www.timken.com)

## Part Number GY1115KRRB3, Fafnir® Wide Inner Ring Setscrew Locking Ball Bearings



[Specifications](#) | [Dimensions](#) | [Basic Load Ratings](#)

### Specifications

<b>Series</b>	Industrial
<b>Shaft Size d</b>	2 in
<b>Bore Type</b>	Cylindrical bore
<b>Bearing Type</b>	Ball Bearing
<b>Material</b>	Bearing Steel
<b>Lubrication Type</b>	Relubricatable
<b>O.D. Type</b>	Spherical OD
<b>Sub Series</b>	GY...KRRB
<b>Alternate Part Name</b>	GY1115KRRB3
<b>Seal Type</b>	Shroud Seal



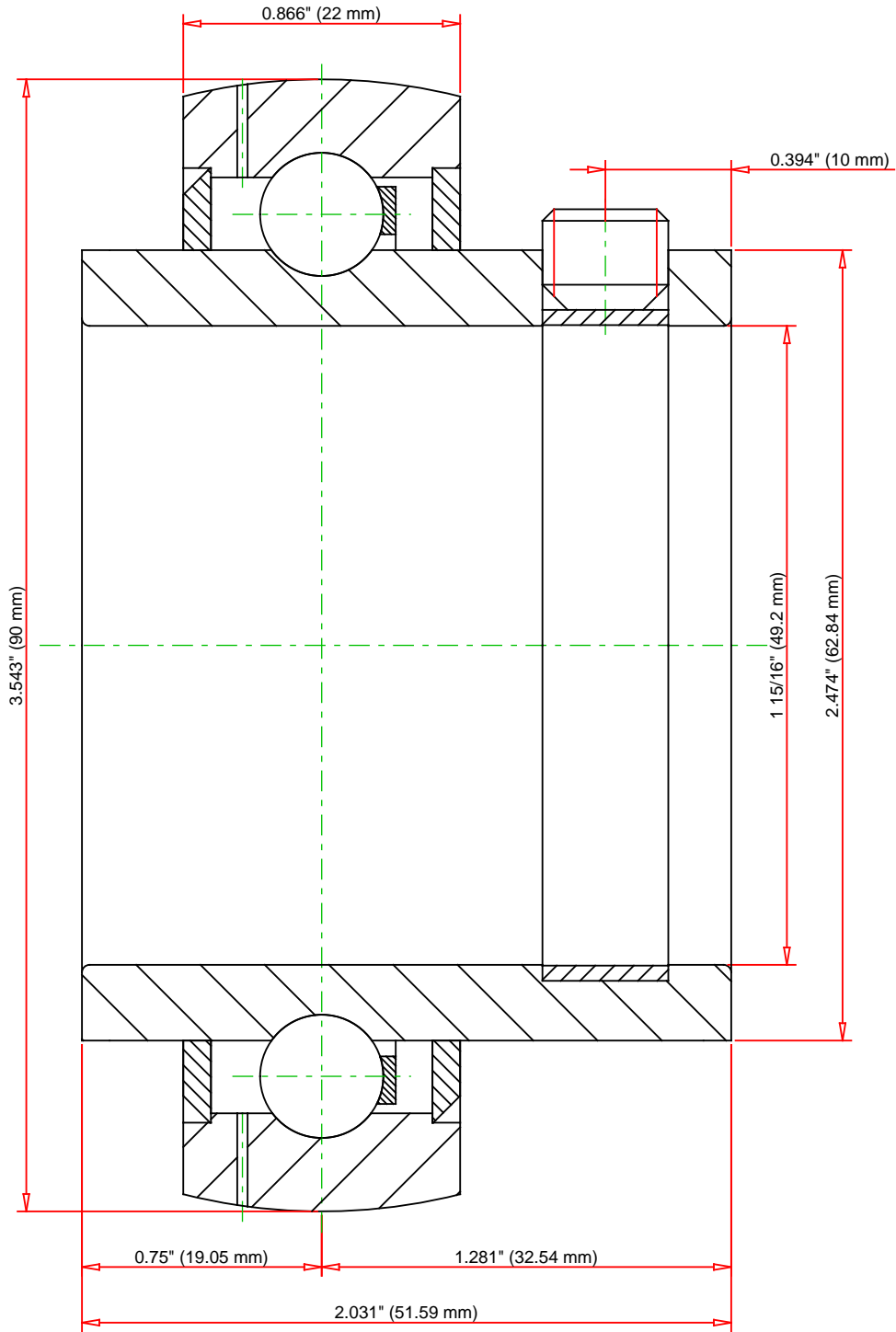
## Dimensions

<b>Outside Diameter D</b>	3.543 in 90 mm
<b>Inner Ring Width B</b>	2.031 in 51.59 mm
<b>Outside Ring Width C</b>	0.866 in 22 mm
<b>Radius r</b>	0.024 in 0.6 mm
<b>Center of Bearing from End S</b>	0.75 in 19.05 mm
<b>Dimension S1</b>	1.281 in 32.54 mm
<b>Dimension F</b>	2.474 in 62.84 mm
<b>Dimension J</b>	0.394 in 10 mm
<b>Dimension M</b>	0.185 in 4.7 mm
<b>Set Screw Size</b>	M10x1.5
<b>Number of Set Screws</b>	2
<b>Angle between Set Screws</b>	90°

## Basic Load Ratings

<b>Static Load Rating</b>	5210 lbf 23200 N
<b>Dynamic Load Rating</b>	8740 lbf 38900 N





Weight	0.5 lb	0.2 kg
--------	--------	--------

**TIMKEN**®

**THE TIMKEN COMPANY**  
NORTH CANTON, OHIO USA

**GY1115KRRB3**

Fafnir® Wide Inner Ring Setscrew Locking Ball Bearings

Basic Load Ratings - C <sub>r</sub>	8740 lbf	38900 N
Load Ratings - C <sub>0r</sub>	5210 lbf	23200 N

Every reasonable effort has been made to ensure the accuracy of the information contained in this writing, but no liability is accepted for errors, omissions or for any other reason.

**FOR DISCUSSION ONLY**