


The Timken Company

4500 Mt Pleasant St. NW

N. Canton, OH 44720

Phone: (234) 262-3000

E-Mail: CustomerCAD@timken.com • **Web site:** www.timken.com

Sprocket No. 010-5017-S, Roller Chain Idler Sprockets

ROLLER CHAIN IDLER SPROCKETS

- The sintered-steel sprockets are hardened and perform well at an economical cost.
- The roller chain idler sprocket replaces the hardened plate steel sprockets on most applications.
- All units are non-relubricatable.


To order, specify SPROCKET NUMBER.

Example: 010-5017S Idler Sprocket.

Order all bearings with E8728 specification.


[Specifications](#) | [Dimensions](#)

Specifications

Bearing No.	203KRR2
Bore - d1	16.26 / 16.13 mm 0.6400 / 0.6350 in
A.S.A. Chain No.	50
No. of Teeth	17
 Pitch	15.9 mm 5/8 in

Bearing Radial Load Rating at 500 RPM	3550 N 800 lb
--	------------------

Dimensions

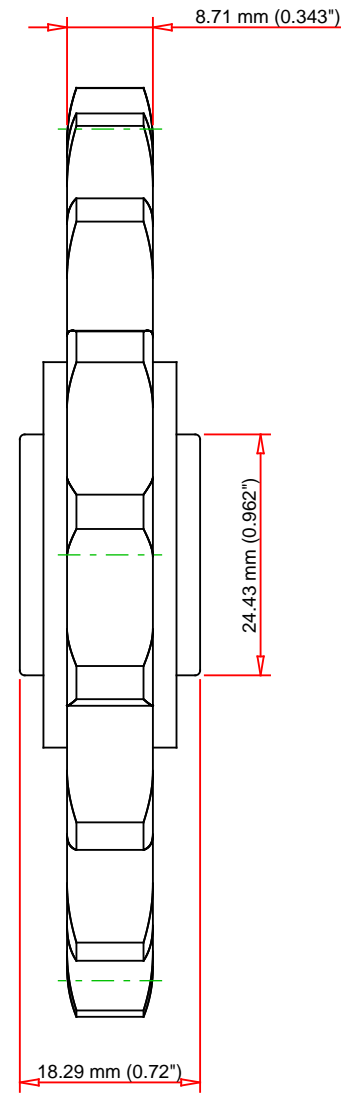
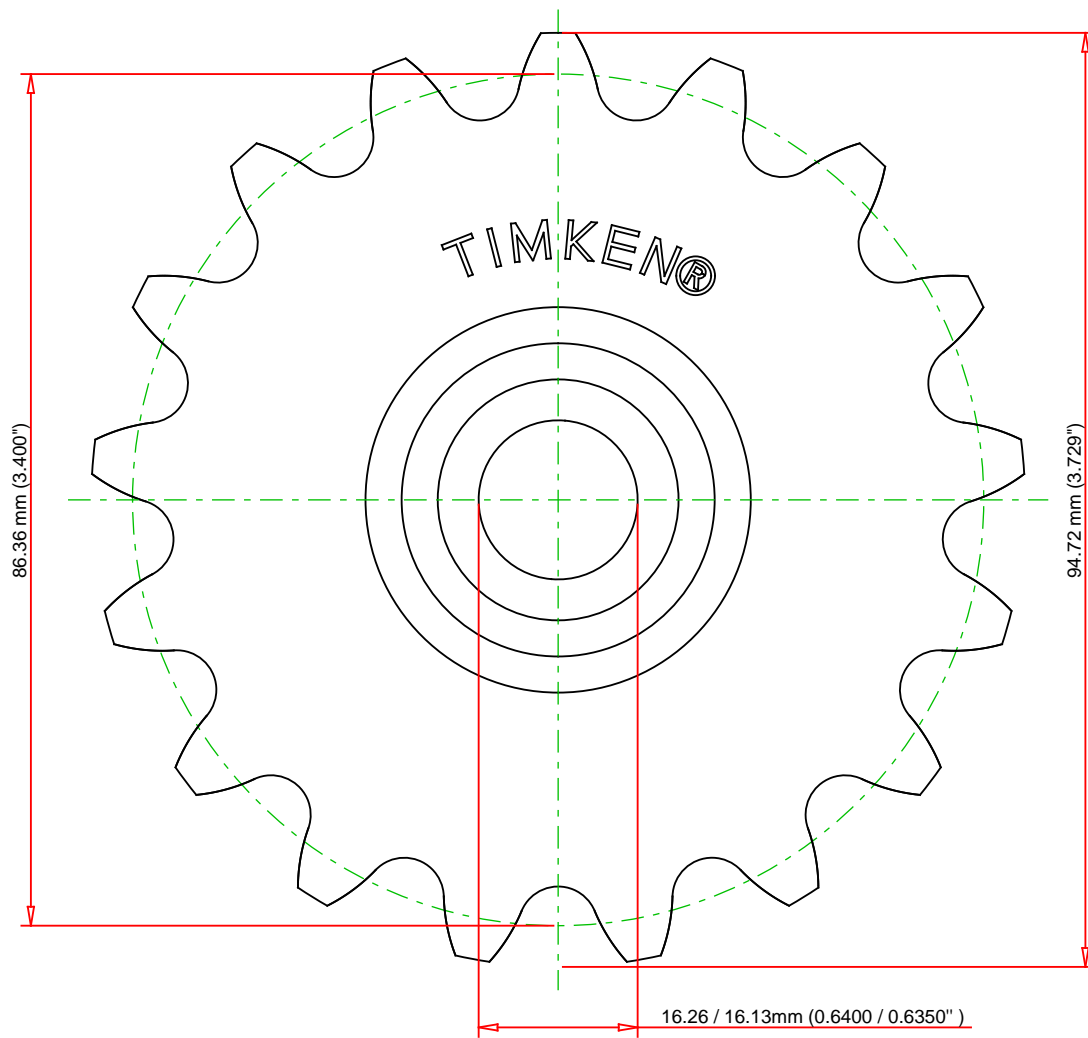
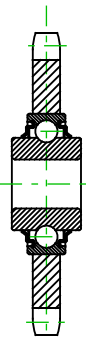
Dimension P	86.36 mm 3.400 in
--------------------	----------------------

Dimension D	94.72 mm 3.729 in
--------------------	----------------------

Dimension A	8.71 mm 0.343 in
--------------------	---------------------

Dimension F	24.43 mm 0.962 in
--------------------	----------------------

Dimension B	18.29 mm 0.72 in
--------------------	---------------------



Note: Section View not to Scale

Weight	0.66	lb	0.299	kg

TIMKEN®

THE TIMKEN COMPANY
NORTH CANTON, OHIO USA

010-5017-S
Roller Chain Idler Sprockets

Every reasonable effort has been made to ensure the accuracy of the information contained in this writing, but no liability is accepted for errors, omissions or for any other reason.

FOR DISCUSSION ONLY