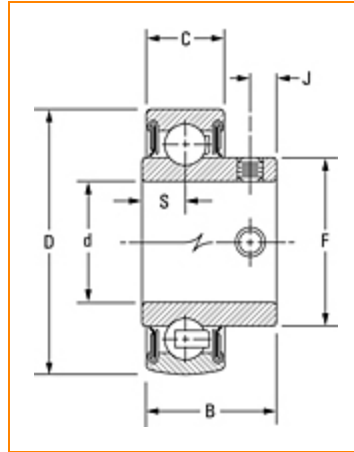


**TIMKEN****The Timken Company**

4500 Mt Pleasant St. NW

N. Canton, OH 44720

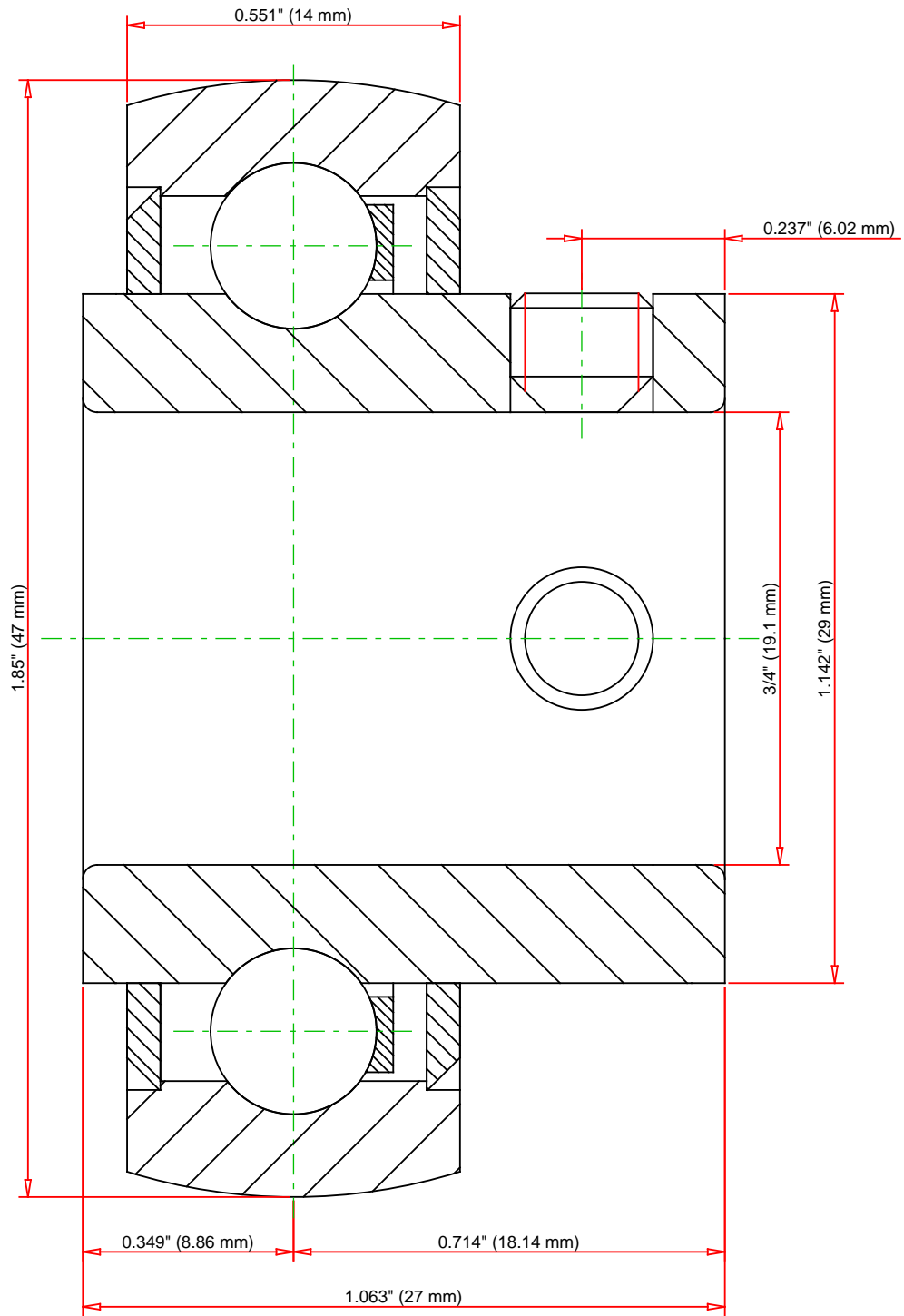
**Phone:** (234) 262-3000**E-Mail:** [CustomerCAD@timken.com](mailto:CustomerCAD@timken.com) • **Web site:** [www.timken.com](http://www.timken.com)**Part Number YA012RRB, Fafnir® Wide Inner Ring Setscrew Locking Ball Bearings**
[Specifications](#) | [Dimensions](#) | [Basic Load Ratings](#)
**Specifications**

<b>Series</b>	Standard
<b>Shaft Size d</b>	3/4 in
<b>Bore Type</b>	Cylindrical bore
<b>Bearing Type</b>	Ball Bearing
<b>Material</b>	Bearing Steel
<b>Lubrication Type</b>	Non-Relubricatable
<b>O.D. Type</b>	Spherical OD
<b>Sub Series</b>	YA..RRB
<b>Seal Type</b>	Narrow Shroud

<b>Outside Diameter D</b>	1.85 in 47 mm
<b>Inner Ring Width B</b>	1.063 in 27 mm
<b>Outside Ring Width C</b>	0.551 in 14 mm
<b>Radius r</b>	0.024 in 0.6 mm
<b>Center of Bearing from End S</b>	0.349 in 8.86 mm
<b>Dimension S1</b>	0.714 in 18.14 mm
<b>Dimension F</b>	1.142 in 29 mm
<b>Dimension J</b>	0.237 in 6.02 mm
<b>Set Screw Size</b>	M6x1
<b>Number of Set Screws</b>	2
<b>Angle between Set Screws</b>	90 °

## Basic Load Ratings

<b>Static Load Rating</b>	1460 lbf 6500 N
<b>Dynamic Load Rating</b>	3190 lbf 14200 N



Weight	0.5 lb	0.2 kg
--------	--------	--------

**TIMKEN**®

**THE TIMKEN COMPANY**  
NORTH CANTON, OHIO USA

**YA012RRB**

Fafnir® Wide Inner Ring Setscrew Locking Ball Bearings

Basic Load Ratings - C <sub>r</sub>	3190 lbf	14200 N
Load Ratings - C <sub>0r</sub>	1460 lbf	6500 N

Every reasonable effort has been made to ensure the accuracy of the information contained in this writing, but no liability is accepted for errors, omissions or for any other reason.

**FOR DISCUSSION ONLY**