


The Timken Company

4500 Mt Pleasant St. NW

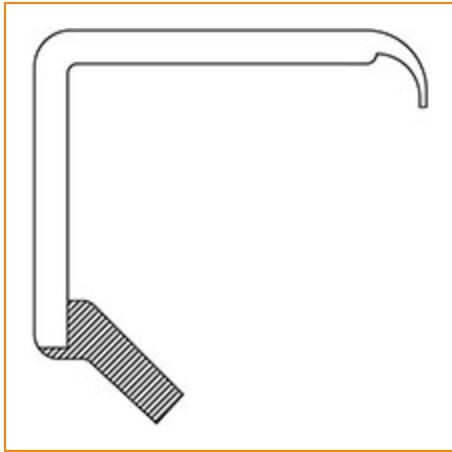
N. Canton, OH 44720

Phone: (234) 262-3000

E-Mail: CustomerCAD@timken.com • **Web site:** www.timken.com

Part Number 710330, Oil Seals Inch

Oil seals are used wherever shafts rotate and bearings require lubrication. Available in inch and metric sizes, the Timken line of O-Ring Seal Kits have the coverage you need for the most popular applications.



[Notes](#) | [Specifications](#) | [Dimensions](#)

Notes

Disclaimer

CAD Models / Sales Drawings are accurate envelope dimensions. Internal features such as lip position may vary from seal to seal and are only representative.

Specifications

Seal Type
[44](#)
Material

Polyacrylate

Series

710300

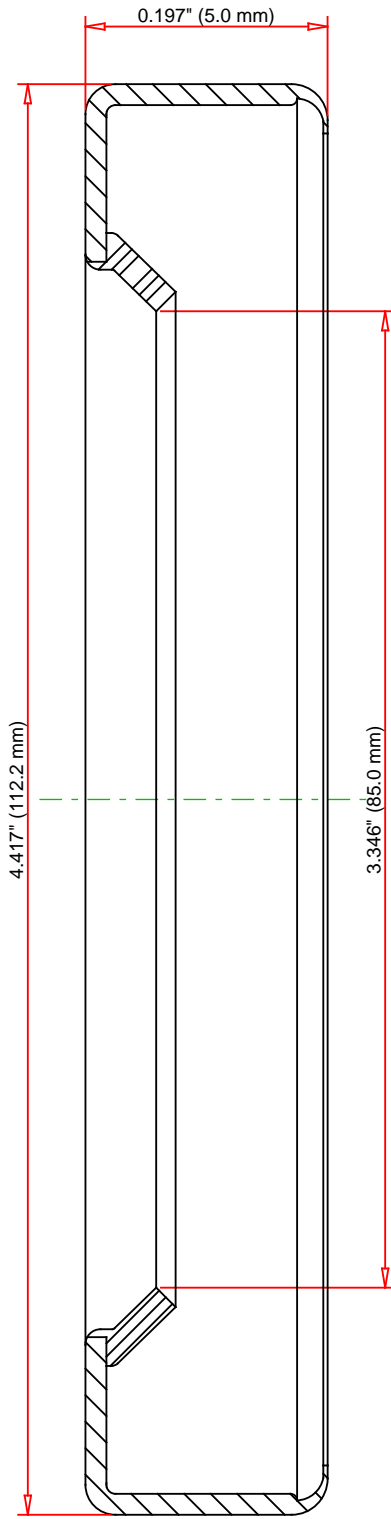
Inch/Metric

METRIC



Dimensions

Shaft Size	3.346 in 85 mm
Outer Diameter	4.417 in 112.2 mm
Overall Width	0.197 in 5 mm
Housing Bore	4.409 in 112 mm



DIMENSIONS ACCURATE
DRAWINGS MAY NOT LOOK PROPORTIONAL

IMPERIAL UNITS

TIMKEN®

THE TIMKEN COMPANY
NORTH CANTON, OHIO USA

710330
Oil Seals Inch

Every reasonable effort has been made to ensure the accuracy of the information contained in this writing, but no liability is accepted for errors, omissions or for any other reason.

FOR DISCUSSION ONLY