



The Timken Company

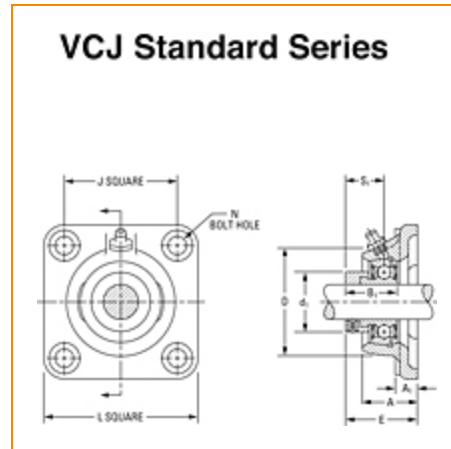
4500 Mt Pleasant St. NW

N. Canton, OH 44720

Phone: (234) 262-3000

E-Mail: CustomerCAD@timken.com • **Web site:** www.timken.com

Part Number VCJ1 7/16, Fafnir® Four-Bolt Flanged Mounted Bearings Eccentric Locking Collar



[Specifications](#) | [Dimensions](#) | [Basic Load Ratings](#)

Specifications

Series	Standard
Shaft Size d	1 7/16 in
Bearing Number	GRA107RRB
Seal Type	Molded Shroud
Housing Construction	Four-Bolt Square Flange
Alternate Part Name	VCJ17/16

Dimensions



Total Length L 117.5 mm
4.626 in

Housing Width A 31.8 mm
1.252 in

Flange Thickness A1 13.5 mm
0.531 in

Bolt Hole Spacing 92.08 mm
3.625 in

Bolt Hole Size N 12 mm
0.472 in

Center of Bearing from Housing End A2 21.1 mm
0.831 in

Dimension B1 38.9 mm
1.531 in

Dimension S1 29.4 mm
1.157 in

Dimension D 88.900 mm
3 1/2 in

Dimension E 50.5 mm
1.988 in

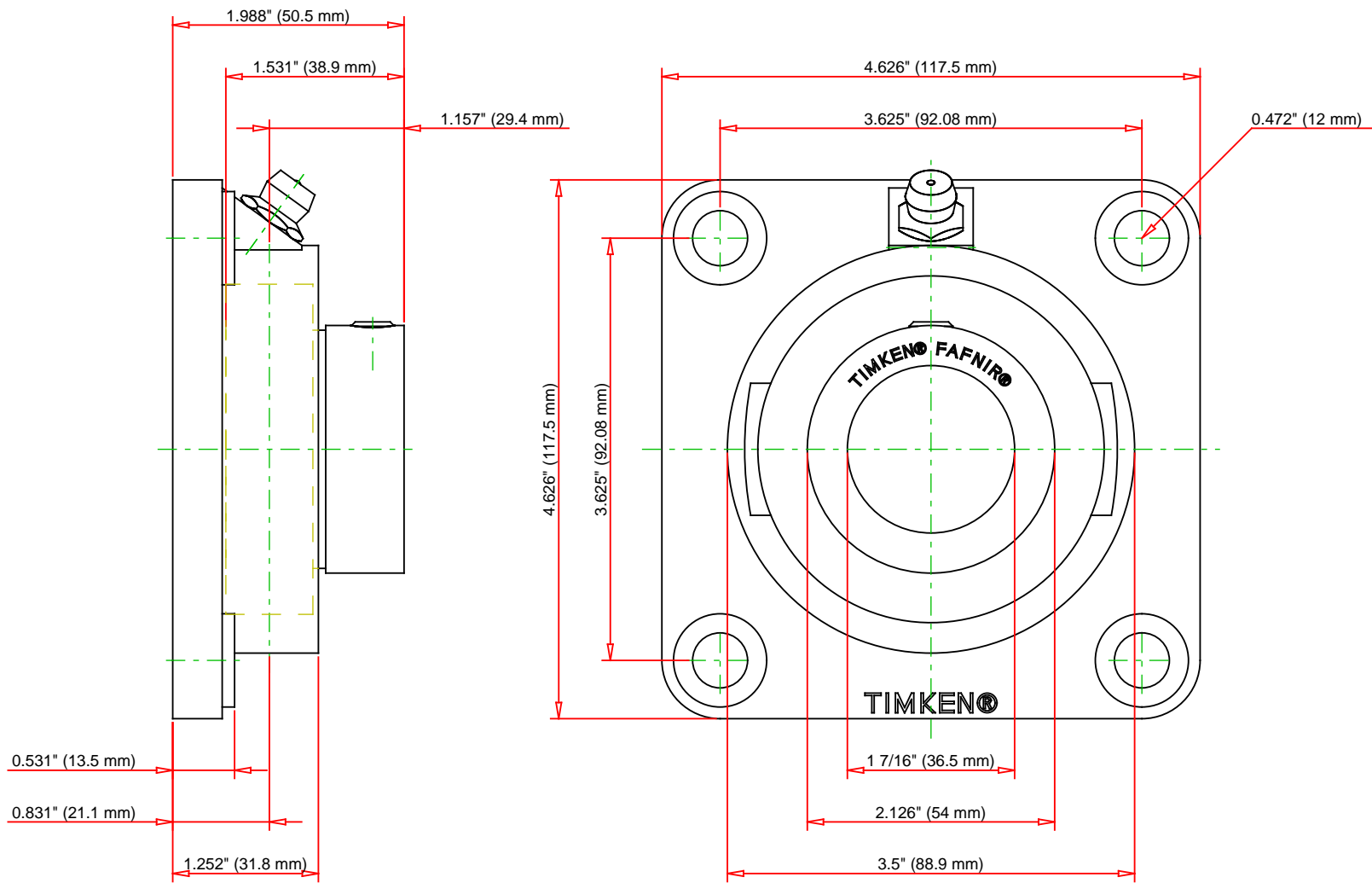
Dimension d1 54 mm
2.126 in

Bolt Size M12

Basic Load Ratings

Static Load Rating 15300 N
3440 lbf

Dynamic Load Rating 28500 N
6400 lbf



Bearing Number	GRA107RRB			
Load Ratings - C _r	6400	lbf	28500	N
Load Ratings - C _{0r}	3440	lbf	15300	N
Weight	3.76	lb	1.707	kg

TIMKEN®

THE TIMKEN COMPANY
NORTH CANTON, OHIO USA

VCJ1 7/16

Fafnir® Four-Bolt Flanged Mounted Bearings
Eccentric Locking Collar

Every reasonable effort has been made to ensure the accuracy of the information contained in this writing, but no liability is accepted for errors, omissions or for any other reason.

FOR DISCUSSION ONLY