


The Timken Company

4500 Mt Pleasant St. NW

N. Canton, OH 44720

Phone: (234) 262-3000

E-Mail: CustomerCAD@timken.com • **Web site:** www.timken.com

Part Number LCJO2 7/16, Fafnir® Four-Bolt Flanged Mounted Bearings Eccentric Locking Collar



[Specifications](#) | [Dimensions](#) | [Basic Load Ratings](#)

Specifications

Series	Medium-Duty
Shaft Size d	2 7/16 in
Bearing Number	GN207KRRB
Seal Type	Shroud Seal
Housing Construction	Four-Bolt Square Flange
Alternate Part Name	LCJO2 7/16

Dimensions



Total Length L 190.50 mm
7.5 in

Housing Width A 65.1 mm
2.563 in

Flange Thickness A1 19 mm
0.748 in

Bolt Hole Spacing 149.2 mm
5.874 in

Bolt Hole Size N 20 mm
0.787 in

Center of Bearing from Housing End A2 36.3 mm
1.429 in

Dimension B1 79.4 mm
3.126 in

Dimension S1 48.4 mm
1.906 in

Dimension D 160.3 mm
6.311 in

Dimension E 84.7 mm
3.335 in

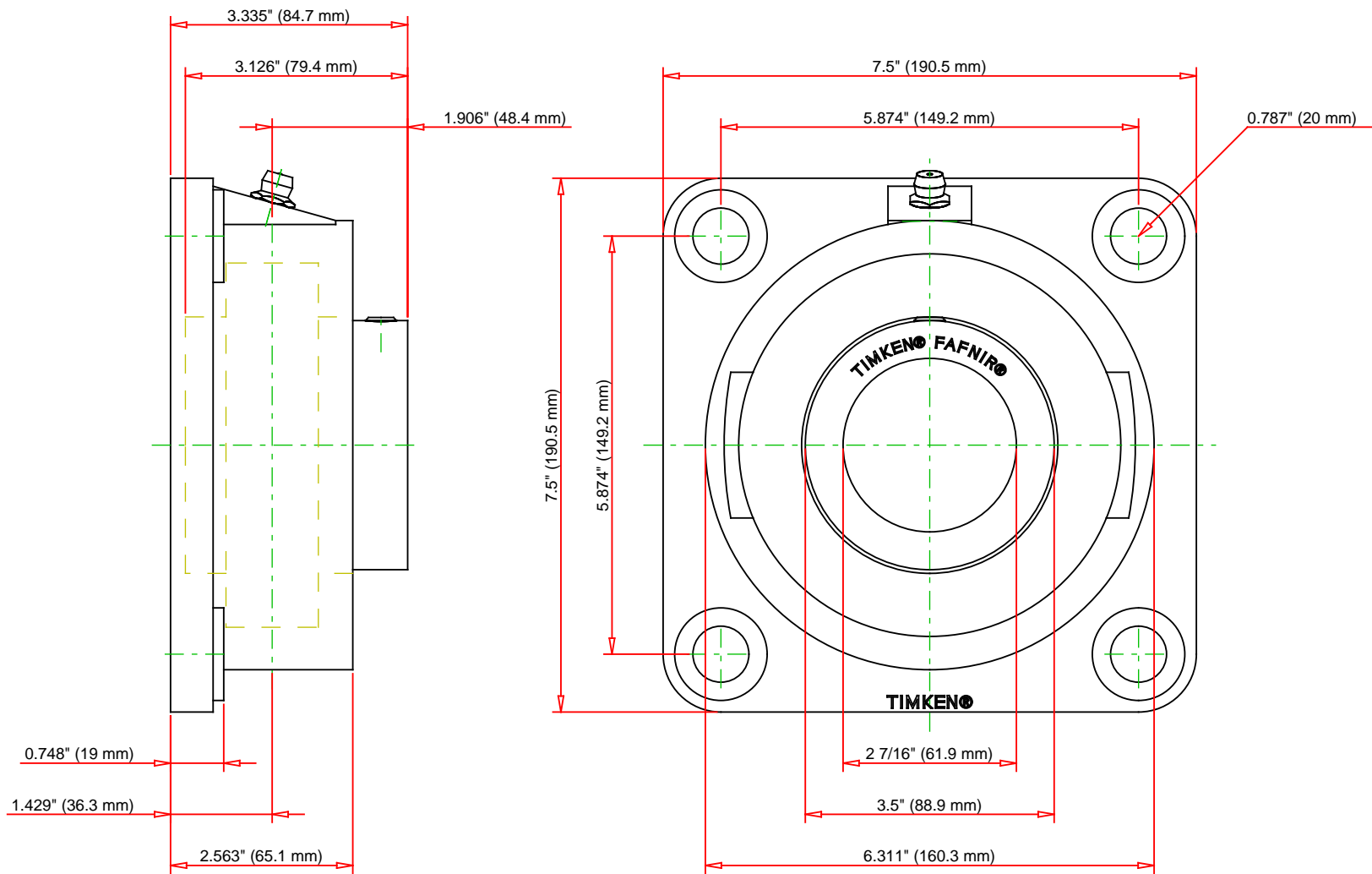
Dimension d1 88.9 mm
3.5 in

Bolt Size M20

Basic Load Ratings

Static Load Rating 51800 N
11700 lbf

Dynamic Load Rating 90700 N
20400 lbf



Bearing Number	GN207KRRB			
Load Ratings - C_r	20400	lbf	90700	N
Load Ratings - C_{Or}	11700	lbf	51800	N
Weight	16.33	lb	7.409	kg

TIMKEN

THE TIMKEN COMPANY
NORTH CANTON, OHIO USA

LCJO2 7/16

Fafnir® Four-Bolt Flanged Mounted Bearings
Eccentric Locking Collar

Every reasonable effort has been made to ensure the accuracy of the information contained in this writing, but no liability is accepted for errors, omissions or for any other reason.

FOR DISCUSSION ONLY