



The Timken Company

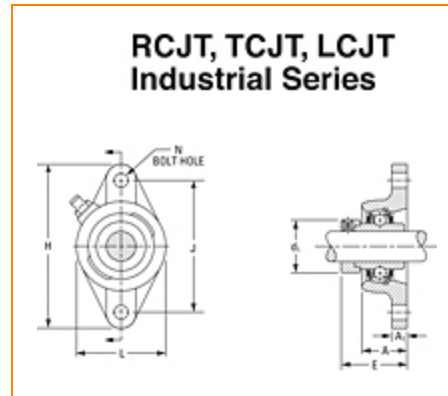
4500 Mt Pleasant St. NW

N. Canton, OH 44720

Phone: (234) 262-3000

E-Mail: CustomerCAD@timken.com • **Web site:** www.timken.com

Part Number RCJT1, Fafnir® Two-Bolt Flanged Mounted Bearings Eccentric Locking Collar



[Specifications](#) | [Dimensions](#) | [Basic Load Ratings](#)

Specifications

Series	Industrial
Shaft Size d	1 in
Bearing Type	Ball Bearing
Bearing Number	G1100KRRB
Seal Type	Shroud Seal
Housing Construction	Two-Bolt Flange
Alternate Part Name	RCJT1

Dimensions



Total Length H

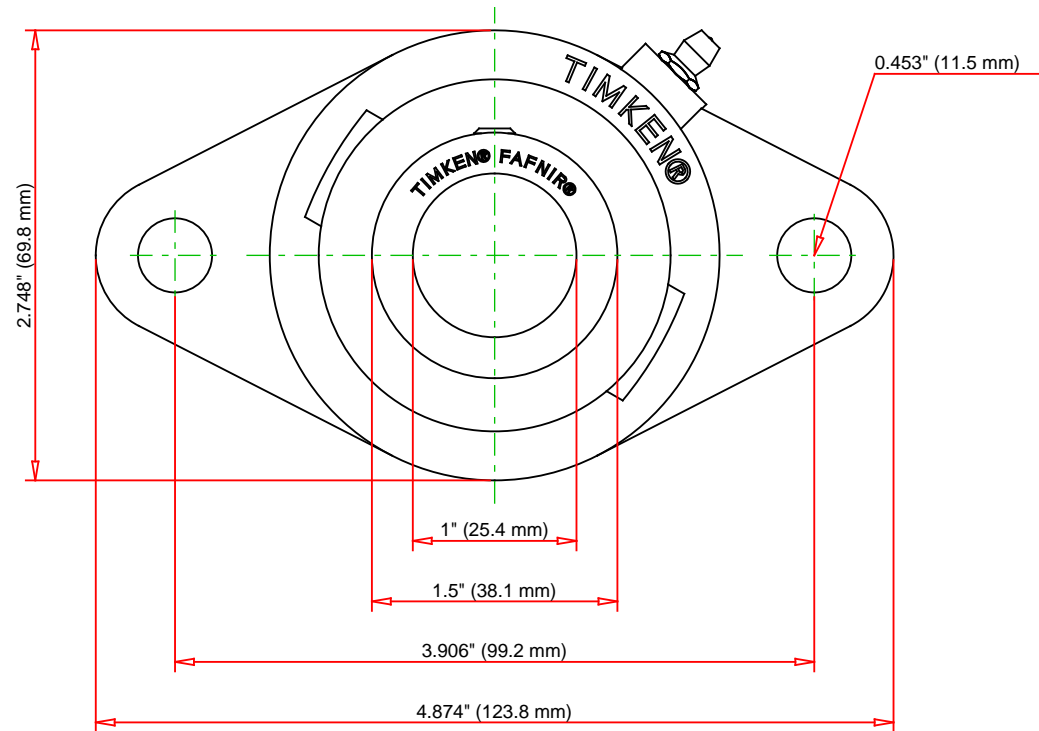
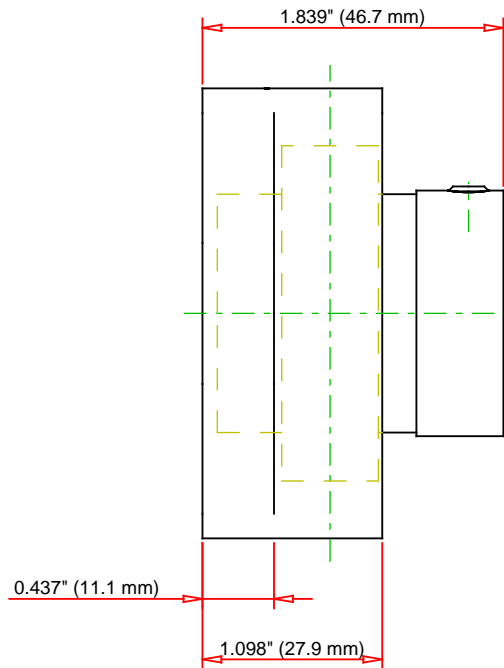
123.8 mm

4.874 in

Total Height L	69.8 mm 2.748 in
Housing Width A	27.9 mm 1.098 in
Bolt Hole Spacing J	99.2 mm 3.906 in
Bolt Hole Size N	11.5 mm 0.453 in
Flange Thickness A1	11.1 mm 0.437 in
Dimension B1	44.4 mm 1.748 in
Dimension S1	26.9 mm 1.059 in
Dimension E	46.7 mm 1.839 in
Dimension d1	38.1 mm 1.5 in

Basic Load Ratings

Static Load Rating	7800 N 1750 lbf
Dynamic Load Rating	15500 N 3490 lbf



Bearing Number	G1100KRRB			
Load Ratings - C_r	3490	lbf	15500	N
Load Ratings - C_{0r}	1750	lbf	7800	N
Weight	1.731	lb	0.785	kg

TIMKEN

THE TIMKEN COMPANY
NORTH CANTON, OHIO USA

RCJT1

Fafnir® Two-Bolt Flanged Mounted Bearings
Eccentric Locking Collar

Every reasonable effort has been made to ensure the accuracy of the information contained in this writing, but no liability is accepted for errors, omissions or for any other reason.

FOR DISCUSSION ONLY