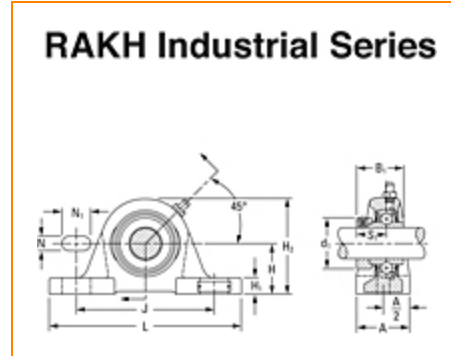


TIMKEN**The Timken Company**

4500 Mt Pleasant St. NW

N. Canton, OH 44720

Phone: (234) 262-3000**E-Mail:** CustomerCAD@timken.com • **Web site:** www.timken.com**Part Number RAKH1 1/4, Fafnir® Pillow Block Mounted Bearings Eccentric Locking Collar**
[Specifications](#) | [Dimensions](#) | [Basic Load Ratings](#)
Specifications

Series	Industrial
Shaft Size d	1 1/4 in
Bearing Type	Ball Bearing
Bearing Number	G1104KRRB
Seal Type	Shroud Seal
Housing Construction	Two-Bolt Pillow Block
Alternate Part Name	RAKH1 1/4

Dimensions

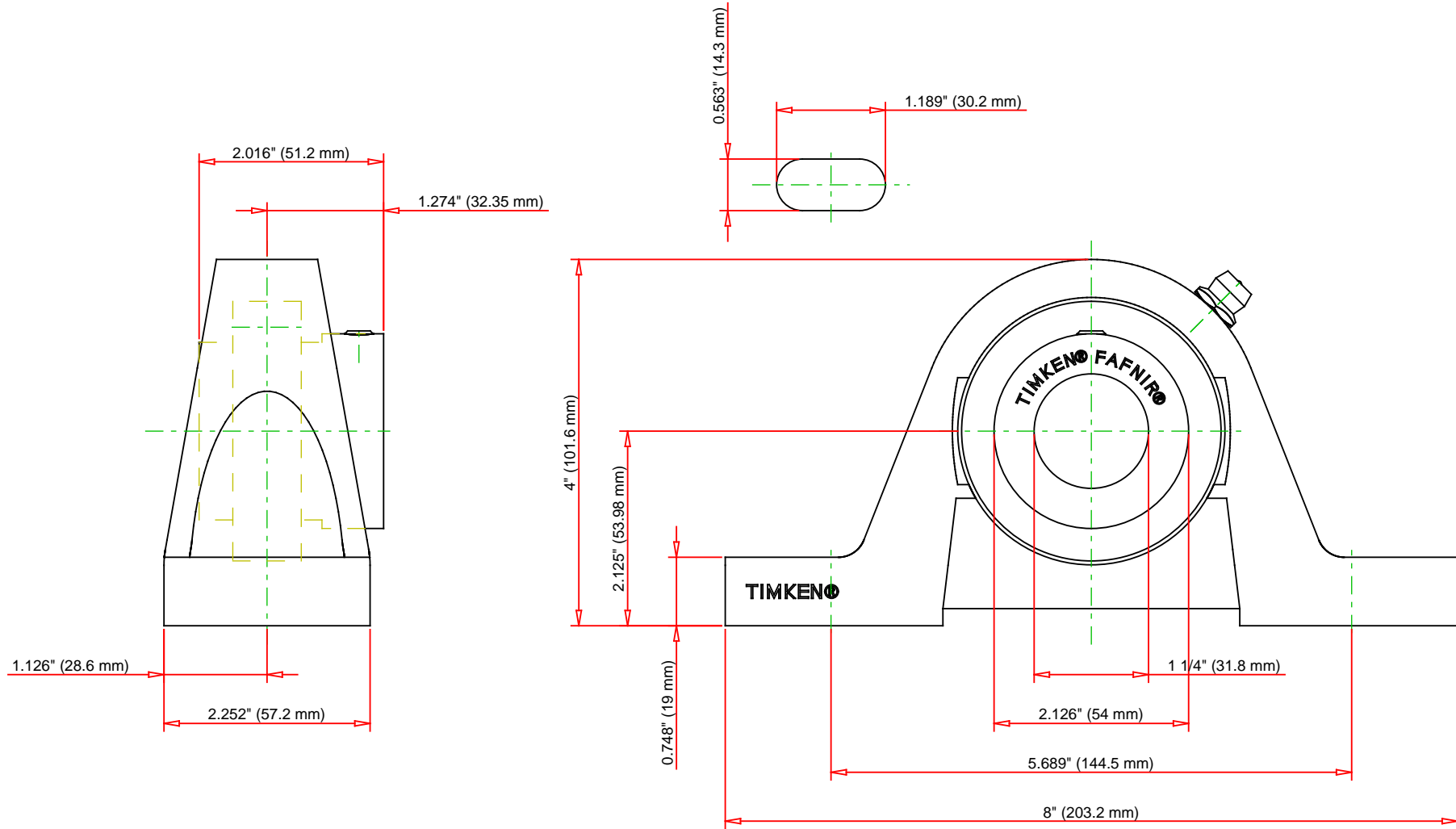
Base to Center Height H	53.98 mm 2.125 in
Total Length L	203.2 mm 8 in



Total Width A	57.2 mm 2.252 in
Bolt Hole Spacing J	144.5 mm 5.689 in
Bolt Hole Width N	14.3 mm 0.563 in
Bolt Hole Length N1	30.2 mm 1.189 in
Foot Height H1	19 mm
Total Height H2	101.6 mm 4 in
Dimension d1	54 mm 2.126 in
Dimension B1	51.2 mm 2.016 in
Dimension S1	32.35 mm 1.274 in
Dimension T	28.6 mm 1.126 in

Basic Load Ratings

Static Load Rating	15300 N 3440 lbf
Dynamic Load Rating	28500 N 6400 lbf



Bearing Number	G1104KRRB			
Load Ratings - C _r	6400	lbf	28500	N
Load Ratings - C _{0r}	3440	lbf	15300	N
Weight	6.426	lb	2.915	kg

TIMKEN
 THE TIMKEN COMPANY
 NORTH CANTON, OHIO USA

RAKH1 1/4
 Fafnir® Pillow Block Mounted Bearings Eccentric
 Locking Collar

Every reasonable effort has been made to ensure the accuracy of the information contained in this writing, but no liability is accepted for errors, omissions or for any other reason.

FOR DISCUSSION ONLY